



Commercial status

To be discontinued on: 31 December 2022

End-of-service soon on: 31 December 2030

⚠ To be discontinued

Main

Range of product	Modicon Quantum automation platform
Product or component type	AC discrete output modules
Discrete output number	16

Complementary

Group of channels	4 groups of 4 channels
Supply frequency	47...63 Hz
Maximum voltage drop	1.5 V
Discrete output voltage	83...253 V AC
Addressing requirement	1 output word
Absolute maximum output	300 Vrms for 10 s AC 400 Vrms 1 cycle AC
Maximum load current	2 mA rms 115 Vrms off state leakage per output 2.5 mA rms 230 Vrms off state leakage per output 3 A rms 170...253 V per output 4 A rms 85...132 V per output 16 A rms per module 4 A rms per group
Surge current	10 A during 3 cycles per point 20 A during 2 cycles per point 30 A during 1 cycle per point 25 A during 3 cycles per group 30 A during 2 cycles per group 45 A during 1 cycle per group
DV/Dt	400 V/ms
Response time	<= 0.5 ms at state 0 to state 1 <= 0.5 ms at state 1 to state 0
Fault indication	Blown fuse Loss of field power
Protection type	Internal by RC filter Internal output protection by 5 A fuse

Disclaimer: This documentation is not intended as a substitute for and is not to be used for determining suitability or reliability of these products for specific user applications

Power dissipation	1.85 + (1.1 V x total module load current)
Marking	CE
Local signalling	1 LED (green)bus communication is present (Active): 1 LED (red)external fault detected (F): 16 LEDs (green)input status:
Bus current requirement	350 mA
Module format	Standard
Net weight	0.45 kg

Environment

Product certifications	CUL FM Class 1 Division 2
Standards	UL 508 CSA C22.2 No 142
Electromagnetic compatibility	Electrostatic discharge immunity test - test level: 4 kV (contact discharge) conforming to IEC 801-2 Electrostatic discharge immunity test - test level: 8 kV (air discharge) conforming to IEC 801-2 Susceptibility to electromagnetic fields - test level: 10 V/m (80...1000 MHz) conforming to IEC 801-3
Ambient air temperature for operation	0...60 °C
Ambient air temperature for storage	-40...85 °C
Relative humidity	95 % without condensation
Operating altitude	<= 5000 m

Packing Units

Unit Type of Package 1	PCE
Number of Units in Package 1	1
Package 1 Weight	633 g
Package 1 Height	5 cm
Package 1 width	16.5 cm
Package 1 Length	31 cm
Unit Type of Package 2	S03
Number of Units in Package 2	7
Package 2 Weight	4.53 kg
Package 2 Height	30 cm
Package 2 width	30 cm
Package 2 Length	40 cm

Offer Sustainability

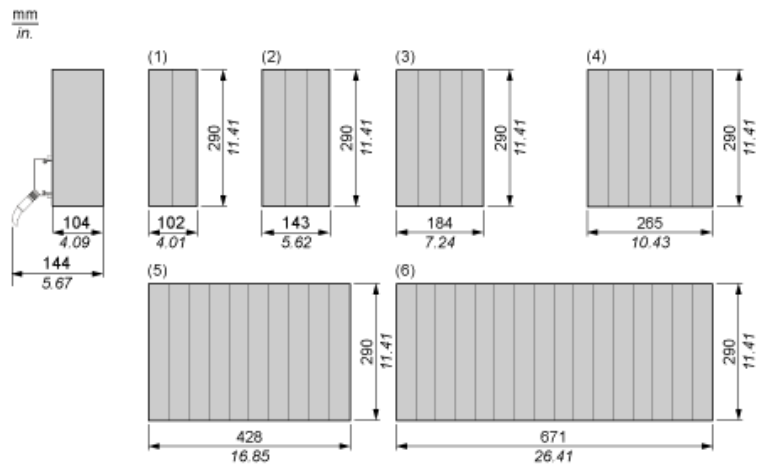
Sustainable offer status	Green Premium product
EU RoHS Directive	Pro-active compliance (Product out of EU RoHS legal scope) EU RoHS Declaration
Mercury free	Yes
RoHS exemption information	Yes
China RoHS Regulation	China RoHS declaration
Environmental Disclosure	Product Environmental Profile
Circularity Profile	End of Life Information
WEEE	The product must be disposed on European Union markets following specific waste collection and never end up in rubbish bins

Contractual warranty

Warranty	18 months
----------	-----------

Racks for Modules Mounting

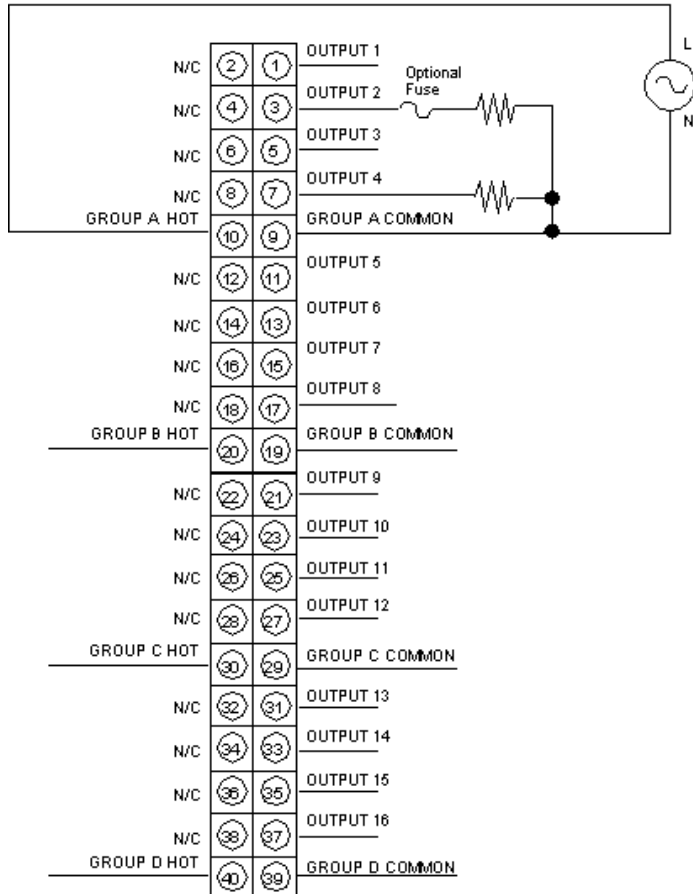
Dimensions of Modules and Racks



- (1) 2 slots
- (2) 3 slots
- (3) 4 slots
- (4) 6 slots
- (5) 10 slots
- (6) 16 slots

100...230 Vac Discrete Output Module

Wiring Diagram



N/C Not Connected

140DAO84210 is replaced by:



Standard environment BMXDAO1605

discrete output module X80 - 16 outputs - triac - 100..240 V AC

Qty 1

Reason for Substitution: End of life | Substitution date: 30 September 2019 | Linking to group 1