



### Main

|                           |                                      |
|---------------------------|--------------------------------------|
| Range of product          | Modicon Momentum automation platform |
| Product or component type | Discrete inputs base DC              |
| Group of channels         | 1 group of 16 inputs                 |
| Discrete input number     | 16 IEC 1131-2 Type 1                 |
| Discrete input voltage    | 24 V DC                              |
| Protective treatment      | TC                                   |

### Complementary

|                                    |  |
|------------------------------------|--|
| Discrete input logic               | Positive   |
| Input voltage limits               | 24 V   |
| Voltage range                      | - 3...30 V   |
| Voltage state 0 guaranteed         | -3...5 V   |
| Voltage state 1 guaranteed         | 11...30 V  |
| Current state 0 guaranteed         | <= 1.2 mA  |
| Current state 1 guaranteed         | >= 2.5 mA  |
| Input resistance                   | 4 kOhm   |
| Response time                      | 2.2 ms from state 0 to state 1<br>3.3 ms from state 1 to state 0   |
| Isolation between channels and bus | 500 V AC   |
| Power dissipation                  | 3 W typical<br>5 W maximum   |
| Terminals description PLC n°1      | (M-)PW_NEG<br>(5)IN_DIS#5<br>(13)IN_DIS#13<br>TB<br>(4)IN_DIS#4<br>(3)IN_DIS#3<br>(9)IN_DIS#9<br>(1)IN_DIS#1<br>(8)IN_DIS#8<br>(11)IN_DIS#11 |

170ADI34000

(L+)PW\_POS  
(12)IN\_DIS#12  
(2)IN\_DIS#2  
(7)IN\_DIS#7  
(6)IN\_DIS#6  
(10)IN\_DIS#10  
(16)IN\_DIS#16  
(14)IN\_DIS#14  
(15)IN\_DIS#15

|                     |                        |
|---------------------|------------------------|
| Marking             | CE                     |
| Local signalling    | 16 LEDs channel status |
| Current consumption | <= 250 mA 24 V DC      |
| Depth               | 47.5 mm                |
| Height              | 141.5 mm               |
| Width               | 125 mm                 |
| Product weight      | 0.19 kg                |

## Environment

|                                       |   |
|---------------------------------------|---|
| Product certifications                | FM Class 1 Division 2<br>CSA<br>UL              |
| Resistance to electrostatic discharge | 4 kV contact IEC 801-2<br>8 kV on air IEC 801-2 |
| Resistance to electromagnetic fields  | 10 V/m 80...1000 MHz IEC 801-3                  |
| Ambient air temperature for operation | 0...60 °C                                       |
| Ambient air temperature for storage   | -40...85 °C                                     |
| Relative humidity                     | 95 % without condensation                       |
| Operating altitude                    | <= 5000 m                                       |

## Offer Sustainability

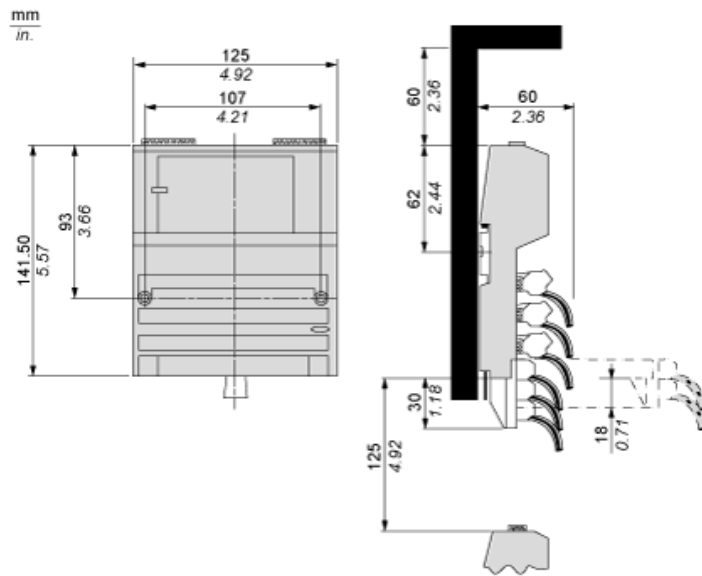
|                                  |   |
|----------------------------------|---|
| Sustainable offer status         | Green Premium product   |
| RoHS (date code: YYWW)           | Compliant - since 1350 - Schneider Electric declaration of conformity<br><a href="#">Schneider Electric declaration of conformity</a> |
| REACH                            | Reference not containing SVHC above the threshold<br><a href="#">Reference not containing SVHC above the threshold</a>                |
| Product environmental profile    | Available<br><a href="#">Product environmental</a>  |
| Product end of life instructions | Available<br><a href="#">End of life manual</a>   |

## Contractual warranty

|                 |           |
|-----------------|-----------|
| Warranty period | 18 months |
|-----------------|-----------|

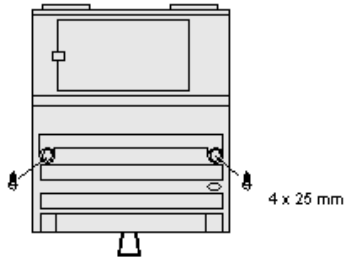
Standard Adapter on a Typical Base

Dimensions



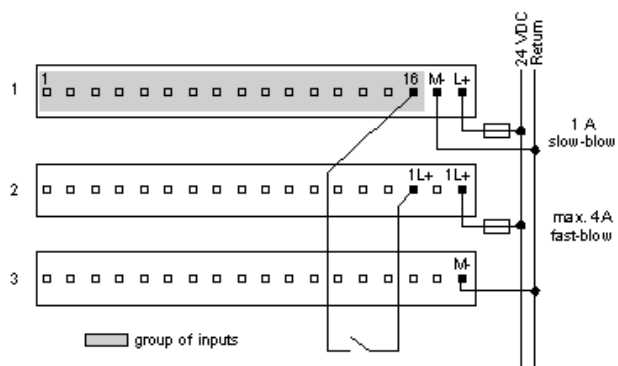
170ADI34000

Mounting on a Wall

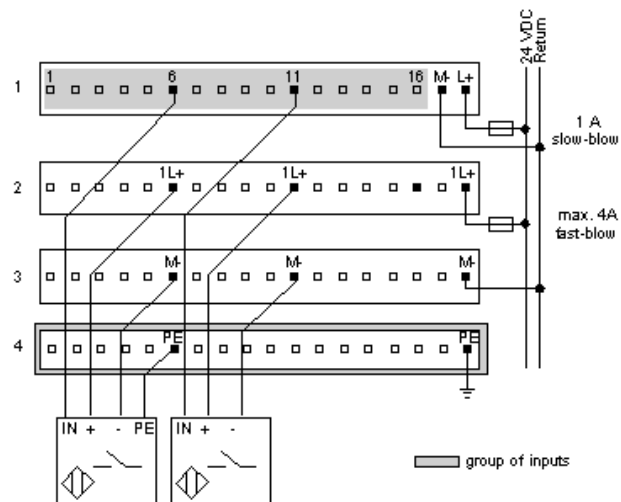


External Wiring Diagrams

2-Wire Device



3- and 4-Wire Devices



170ADI34000

Internal Pin Connections

Rows 1 through 3 show the internal connections between terminals on the I/O base. Row 4 shows the internal connections on the optional busbar.

