



Main

Range of product	Modicon Momentum automation platform
Product or component type	Discrete solid state I/O base DC
Group of channels	1 group of 16 inputs 2 groups of 8 outputs
Discrete input number	16 IEC 1131-2 Type 1
Discrete input logic	Positive
Discrete input voltage	24 V DC
Discrete output number	16
Discrete output type	Solid state switch
Discrete output voltage	≤ 30 V DC 24 V DC
Discrete output logic	Positive
Protective treatment	TC

Complementary

[Us] rated supply voltage	24 V DC
Input voltage limits	- 3...30 V
Voltage state 0 guaranteed	-3...5 V
Voltage state 1 guaranteed	11...30 V
Current state 0 guaranteed	≤ 1.2 mA
Current state 1 guaranteed	≥ 2.5 mA
Input resistance	4 kOhm
Discrete output current	4 A per group 8 A per module 0.5 A per point
Leakage current	< 1 mA 24 V output circuit
Peak output current	5 A
Voltage drop	< 0.5 V 0.5 A at state 1 output circuit

Disclaimer: This documentation is not intended as a substitute for and is not to be used for determining suitability or reliability of these products for specific user applications

Fault type	Overload on output
Response time	< 0.1 ms from state 0 to state 1 on output < 0.1 ms from state 1 to state 0 on output 2.2 ms from state 0 to state 1 on input 3.3 ms from state 1 to state 0 on input
Isolation between channels and bus	500 V AC
Power dissipation	<= 8 W 6 W
Marking	CE
Terminals description PLC n°1	(15)IN_DIS#15 (14)IN_DIS#14 (7)IN_DIS#7 (1)IN_DIS#1 TB (13)IN_DIS#13 (L+)PW_POS (11)IN_DIS#11 (10)IN_DIS#10 (6)IN_DIS#6 (3)IN_DIS#3 (16)IN_DIS#16 (8)IN_DIS#8 (9)IN_DIS#9 (12)IN_DIS#12 (4)IN_DIS#4 (2)IN_DIS#2 (5)IN_DIS#5 (M-)PW_NEG
Terminals description PLC n°2	(7)OUT_DIS#7 (14)OUT_DIS#14 (2L+)PW_POS (1)OUT_DIS#1 (3)OUT_DIS#3 (11)OUT_DIS#11 (10)OUT_DIS#10 TB_1 (1L+)PW_POS (5)OUT_DIS#5 (12)OUT_DIS#12 (13)OUT_DIS#13 (4)OUT_DIS#4 (15)OUT_DIS#15 (2)OUT_DIS#2 (9)OUT_DIS#9 (6)OUT_DIS#6 (8)OUT_DIS#8
Local signalling	16 LEDs channel status
Current consumption	250 mA 24 V DC
Depth	47.5 mm
Height	141.5 mm
Width	125 mm
Product weight	0.2 kg

Environment

Product certifications	CSA UL
Resistance to electrostatic discharge	4 kV contact IEC 801-2 8 kV on air IEC 801-2
Resistance to electromagnetic fields	10 V/m 80...1000 MHz IEC 801-3
Ambient air temperature for operation	0...60 °C
Ambient air temperature for storage	-40...85 °C
Relative humidity	95 % without condensation
Operating altitude	<= 5000 m

Offer Sustainability

Sustainable offer status	Green Premium product
RoHS (date code: YYWW)	Compliant - since 0901 - Schneider Electric declaration of conformity Schneider Electric declaration of conformity
REACH	Reference not containing SVHC above the threshold Reference not containing SVHC above the threshold
Product environmental profile	Available Product environmental
Product end of life instructions	Available End of life manual

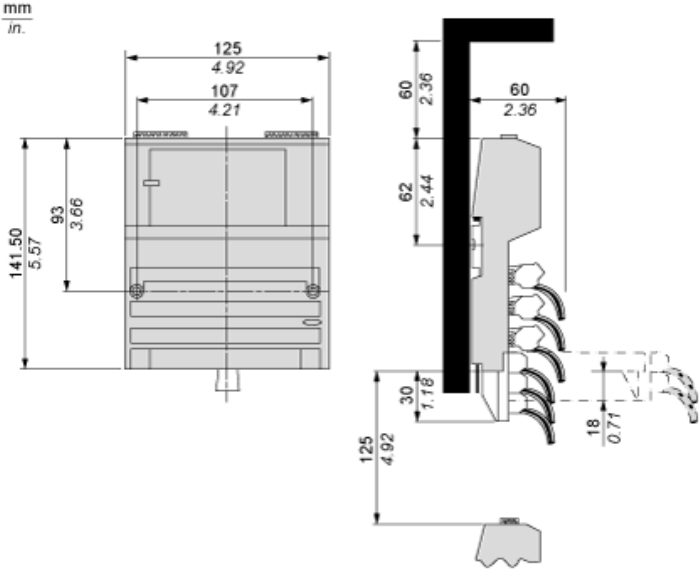
Contractual warranty

Warranty period	18 months
-----------------	-----------

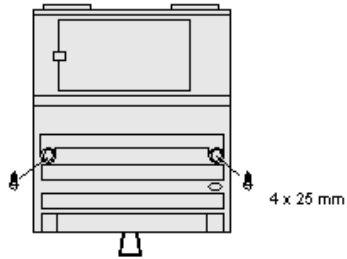
170ADM35010

Standard Adapter on a Typical Base

Dimensions



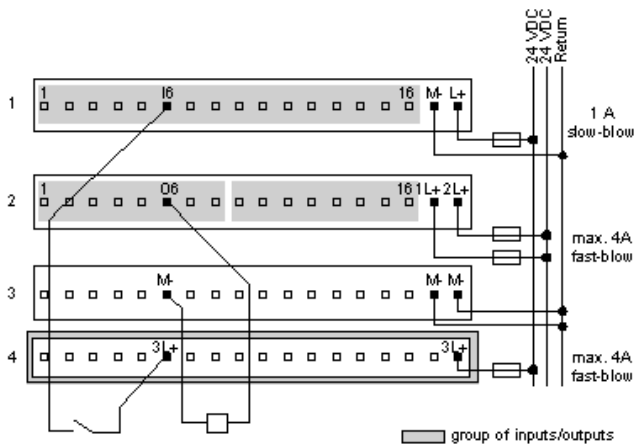
Mounting on a Wall



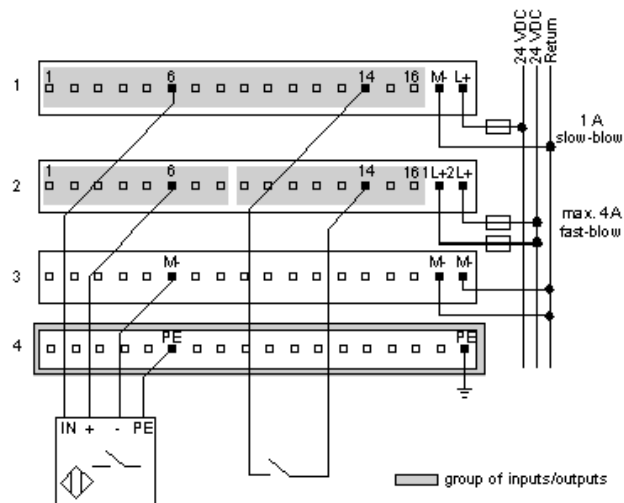
170ADM35010

External Wiring Diagrams

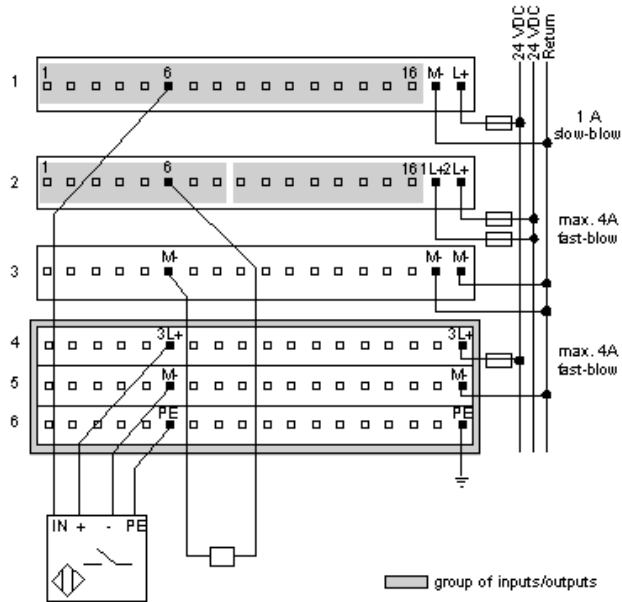
2-Wire Devices



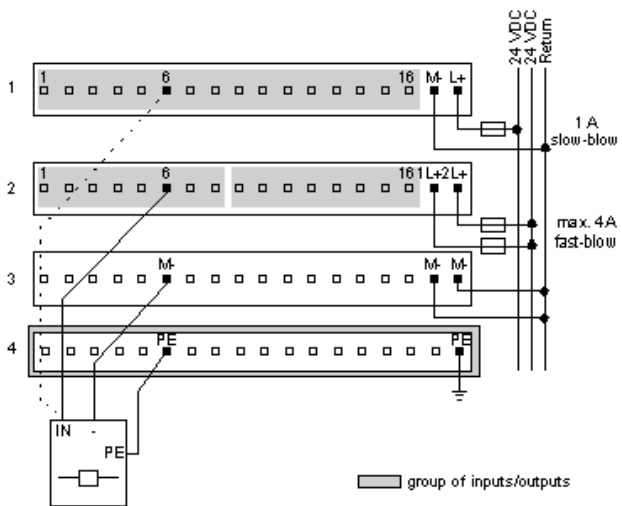
Sensor Activated by Output



Four-Wire Sensor with a Two-Wire Actuator



Broken Wire Detection



170ADM35010

Internal Pin Connections

Rows 1 through 3 show the internal connections between terminals on the I/O base. Rows 4 through 6 show the internal connections on the optional busbar.

