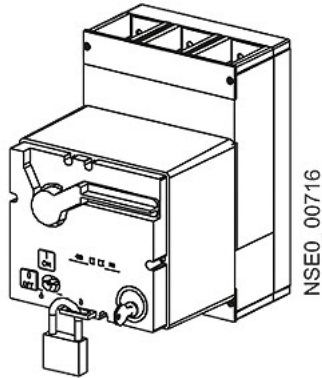


accessory for VL400, mot. op. mech. w/ strd en. mech 220...250V AC/DC



Model	
product brand name	SETRON
product designation	Motorized operating mechanism with stored energy mechanism
design of the product	Accessory for VL400
type of the driving mechanism	Motorized operating mechanism with spring energy store
General technical data	
operating frequency maximum	120 1/h
Voltage	
fuse protection type for external auxiliary power supply required	NEOZED fuse (gL/gG): 2 A / miniature circuit breaker, C char.: 2 A
operating range factor control supply voltage rated value	
• at DC initial value	0.85
• at DC full-scale value	1.1
• at AC at 50 Hz initial value	0.85
• at AC at 50 Hz full-scale value	1.1
• at AC at 60 Hz initial value	0.85
• at AC at 60 Hz full-scale value	1.1
Protection class	
protection class IP	IP30
Control current	
operating apparent power	200 VA
control supply voltage	
• at DC rated value minimum	250 V
• at DC rated value maximum	220 V
• at AC at 50 Hz rated value minimum	220 V
• at AC at 50 Hz rated value maximum	250 V
• at AC at 60 Hz rated value minimum	220 V
• at AC at 60 Hz rated value maximum	250 V
pulse duration minimum	50 ms
Connections	
stripped length	10 mm
connectable conductor cross-section solid	
• minimum	0.75 mm ²
• maximum	1.5 mm ²
connectable conductor cross-section stranded	
• minimum	0.75 mm ²
• maximum	1.5 mm ²
connectable conductor cross-section finely stranded with core end processing	
• minimum	0.75 mm ²
• maximum	1.5 mm ²

tightening torque	
• maximum	1 N·m

Mechanical Design

height	160 mm
width	140 mm
depth	160 mm
net weight	4 593 g

Environmental conditions

ambient temperature during operation	
• minimum	-25 °C
• maximum	70 °C
ambient temperature during storage	
• minimum	-40 °C
• maximum	80 °C

Certificates

reference code according to IEC 81346-2	M
---	---

Approvals Certificates

General Product Approval	Test Certificates	Marine / Shipping
--------------------------	-------------------	-------------------



[Confirmation](#)



[Special Test Certificate](#)



Marine / Shipping	other	Environment
-------------------	-------	-------------



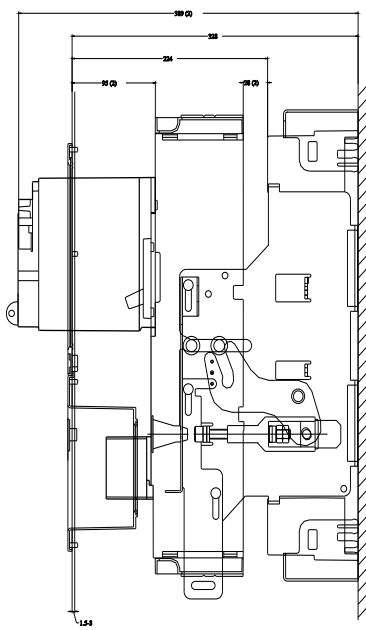
[Confirmation](#)

[Miscellaneous](#)

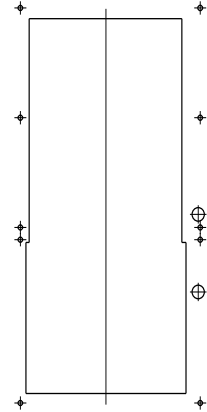
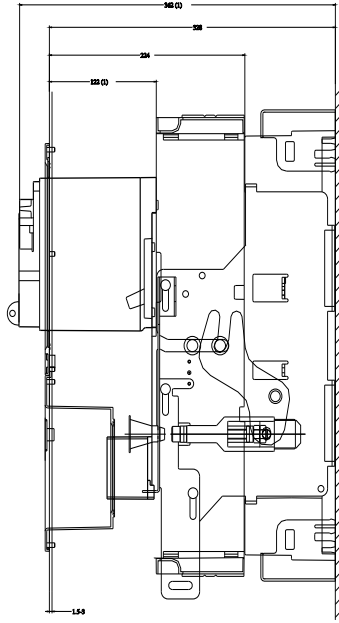
[Environmental Confirmations](#)

Further information

- Information on the packaging
<https://support.industry.siemens.com/cs/ww/en/view/109813875>
- Information- and Downloadcenter (Catalogs, Brochures,...)
<http://www.siemens.com/lowvoltage/catalogs>
- Industry Mall (Online ordering system)
<https://mall.industry.siemens.com/mall/en/en/Catalog/product?mlfb=3VL9400-3MQ00>
- Service&Support (Manuals, Certificates, Characteristics, FAQs,...)
<https://support.industry.siemens.com/cs/ww/en/ps/3VL9400-3MQ00>
- Image database (product images, 2D dimension drawings, 3D models, device circuit diagrams, ...)
http://www.automation.siemens.com/bilddb/cax_en.aspx?mlfb=3VL9400-3MQ00
- CAX-Online-Generator
<http://www.siemens.com/cax>
- Tender specifications
<http://www.siemens.com/specifications>



(1) Betriebsstellung
 (2) Trennstellung



last modified:

9/6/2023 

