

ABL8PRP24100

electronic protection module - 28..28.8 V DC - 10 A - for regulated SMPS

Product availability : Non-Stock - Not normally stocked in distribution facility



Price* : 384.00 USD



Main

Range of product	Phaseo
Product or component type	Electronic protection module
Input voltage	24...28.8 V DC
Output voltage	(U _{in} -0.3) V DC
Maximum output current	10 A per channel, rating: 1/2.5/4/5/7/8/10

Complementary

Input voltage limits	19...32 V
Input current	40 A
Number of output channels	4
Output protection type	Against overload 1.3 x I _n Against short-circuits automatic reset Line protection 1 x 15 A integrated fuse per channel
Complementary function	2-pole breaking by channel
Breaking capacity	1000 A 32 V DC by fuse
Connections - terminals	Input connection screw type terminals 4 x 0.5...4 x 10 mm ² AWG 20...AWG 8 Diagnostic relay removable screw terminal block 1 x 2.5 mm ² AWG 14 Output connection screw type terminals 8 x 0.5...8 x 4 mm ² AWG 20...AWG 10
Fixing mode	By clips 35 mm symmetrical DIN rail vertical On panel
Operating altitude	6561.68 ft (2000 m)
Marking	CE
Name of test	Electrostatic discharges EN/IEC 61000-4-2 Emission EN 61000-6-3 Induced electromagnetic field EN/IEC 61000-4-6 level 3 Radiated electromagnetic field EN/IEC 61000-4-3 level 3 Rapid transient IEC 61000-4-4 level 3 Surge EN/IEC 61000-4-5 level 2

* Price is "List Price" and may be subject to a trade discount – check with your local distributor or retailer for actual price.

	Conducted/radiated emissions EN 55022 Class B Emission EN 50081-1
Local signalling	Channel status 1 LED per channel green/red) Channel status 1 relay
Net Weight	1.04 lb(US) (0.47 kg)

Environment

Product certifications	RCM EAC
Standards	UL 508 CSA C22.2 No 60950-1
Ambient air temperature for operation	-13...140 °F (-25...60 °C)
Ambient air temperature for storage	-40...185 °F (-40...85 °C)
Environmental characteristic	EMC EN 61000-6-3 EMC EN/IEC 61000-6-2 Safety EN/IEC 60950-1 Safety EN/IEC 61204-3
IP degree of protection	IP20 conforming to EN/IEC 60529
Dielectric strength	500 V between input and ground 500 V between output and ground
Overvoltage category	Class II VDE 0106-1
Relative humidity	0...90 % during operation 0...95 % during storage
Vibration resistance	2 gn 11.9...150 Hz)EN/IEC 61131-2 3.5 mm 3...11.9 Hz)EN/IEC 61131-2

Ordering and shipping details

Category	22525 - ABL8 AND ABL7 POWER SUPPLIE
Discount Schedule	CP12
GTIN	00785901644149
Nbr. of units in pkg.	1
Package weight(Lbs)	0.81 lb(US) (0.37 kg)
Returnability	No

Packing Units

Unit Type of Package 1	PCE
Package 1 Height	5.43 in (13.8 cm)
Package 1 width	3.94 in (10 cm)
Package 1 Length	5.31 in (13.5 cm)
Unit Type of Package 2	S04
Number of Units in Package 2	21
Package 2 Weight	29.71 lb(US) (13.474 kg)
Package 2 Height	11.81 in (30 cm)
Package 2 width	15.75 in (40 cm)
Package 2 Length	23.62 in (60 cm)

Offer Sustainability

Sustainable offer status	Green Premium product
California proposition 65	WARNING: This product can expose you to chemicals including: Lead and lead compounds, which is known to the State of California to cause cancer and birth defects or other reproductive harm. For more information go to www.P65Warnings.ca.gov
REACH Regulation	REACH Declaration
EU RoHS Directive	Pro-active compliance (Product out of EU RoHS legal scope) EU RoHS Declaration
Mercury free	Yes

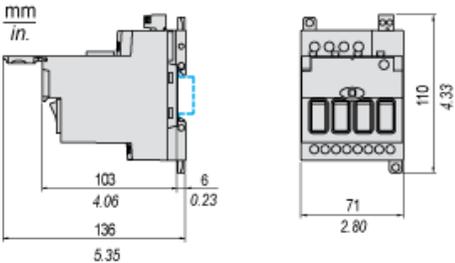
RoHS exemption information	Yes
China RoHS Regulation	China RoHS declaration
Environmental Disclosure	Product Environmental Profile
Circularity Profile	End of Life Information
PVC free	Yes

Contractual warranty

Warranty	18 months
----------	-----------

Downstream Electronic Protection Module

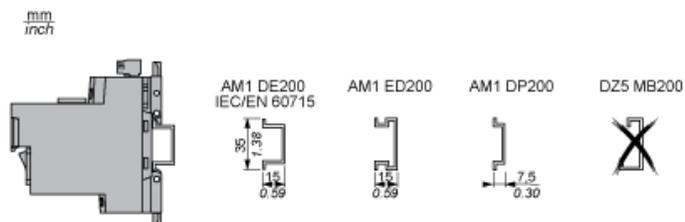
Dimensions



Downstream Electronic Protection Module

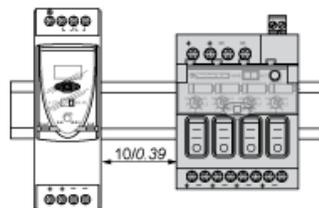
Mounting DIN rails

Downstream electronic protection modules can be installed on a DIN rail. The graphic below provides the characteristics and references of the compatible DIN rails for the mounting of the module.



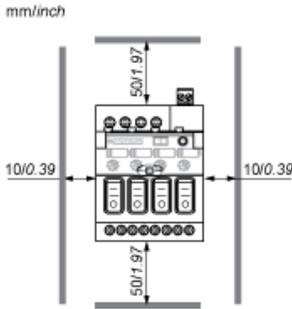
Module Mounting

$\frac{\text{mm}}{\text{inch}}$



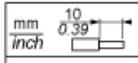
Downstream Electronic Protection Module

Clearance

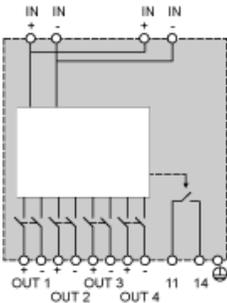


Wiring Requirements

Cable Types and Wire Sizes

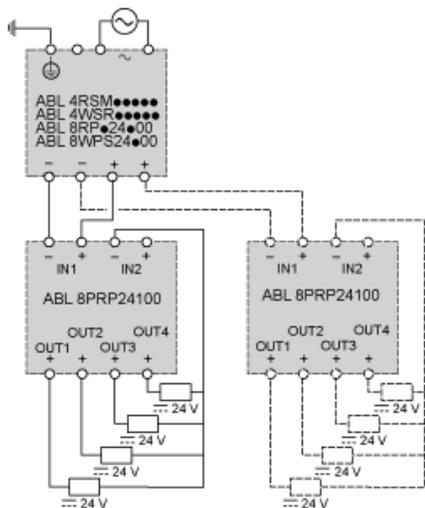
						ABL	8RPS24030	8RPM24200
						8RPS24060	8WPS24200/24400	
						8RPS24100		
lin / Ulin	mm ² /AWG	1...4 / 16...12	4...10 / 12...6					
lout / Uout	mm ² /AWG	0.5...4 / 20...12						
11...14	mm ² /AWG	0.2...2.5 / 24...14						

Internal Wiring Diagram



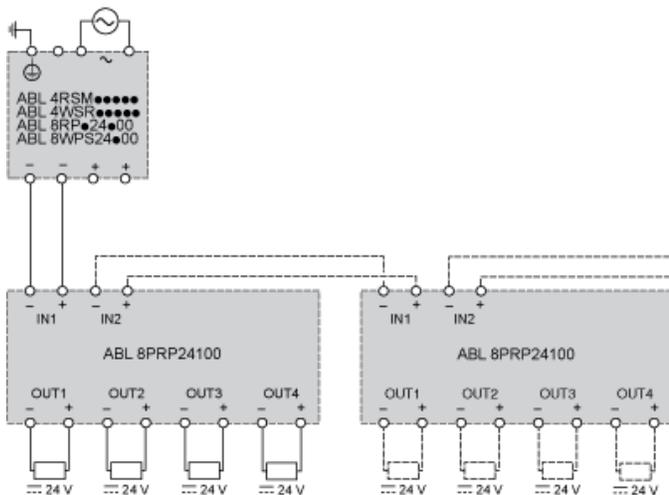
Wiring Diagrams

24 Vdc Output Circuits with Common Point



IN1 and IN2 terminals limited to 40 A

24 Vdc Output Circuits without Common Point



IN1 and IN2 terminals limited to 40 A