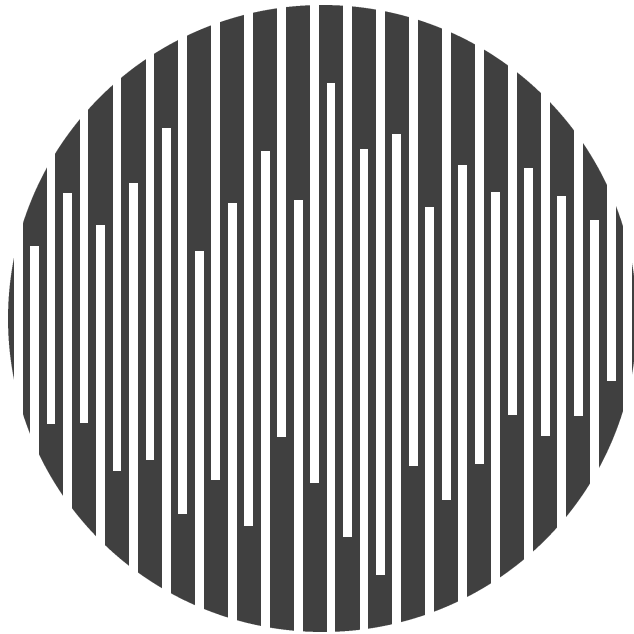


Modicon 800 Series Discrete I/O Modules User Guide

GM-DISC-800 Rev. C

**AEG SCHNEIDER
AUTOMATION**
Modicon • Square D • Telemecanique



MODICON

Modicon 800 Series Discrete I/O Modules User Guide

GM-DISC-800 Rev. C

April, 1995

**AEG SCHNEIDER
AUTOMATION**
Modicon • Square D • Telemecanique

**AEG Schneider Automation, Inc.
One High Street
North Andover, MA 01845**

Preface

The data and illustrations found in this book are not binding. We reserve the right to modify our products in line with our policy of continuous product development. The information in this document is subject to change without notice and should not be construed as a commitment by AEG Schneider Automation, Inc.

AEG Schneider Automation assumes no responsibility for any errors that may appear in this document. If you have any suggestions for improvements or amendments or have found errors in this publication, please notify us by using the form on the last page of this publication.

No part of this document may be reproduced in any form or by any means, electronic or mechanical, including photocopying, without express written permission of the Publisher, AEG Schneider Automation, Inc.



Caution: All pertinent state, regional, and local safety regulations must be observed when installing and using this product. For reasons of safety and to assure compliance with documented system data, repairs to components should be performed only by the manufacturer.

MODSOFT® is a registered trademark of AEG Schneider Automation, Inc.

The following are trademarks of AEG Schneider Automation, Inc.:

Modbus	Modbus Plus
Modicon	984

DIGITAL® and DEC® are registered trademarks of Digital Equipment Corporation.

IBM® and IBM AT® are registered trademarks of International Business Machines Corporation.

Microsoft® and MS-DOS® are registered trademarks of Microsoft Corporation.

© Copyright 1995, AEG Schneider Automation, Inc.
Printed in U.S.A.

Contents

Chapter 1	
800 Series I/O Modules	1
1.1 Overview	2
1.2 System Interface	3
1.3 I/O Map	4
1.3.1 800 Series Configuration	4
1.4 Grounding Guidelines	5
1.5 Installation	6
1.5.1 Field Connection	7
1.6 Quick Start Test	10
1.7 Generic Specifications	11
Chapter 2	
B802-008 115 Vac Output	13
2.1 Overview	14
2.1.1 Simplified Schematic	14
2.2 Field Connections	15
2.2.1 Output Connections	15
2.3 Specifications	16
Chapter 3	
B803-008 115 Vac Input	17
3.1 Overview	18
3.1.1 Simplified Schematic	18
3.2 Field Connections	19
3.2.1 Output Connections	19
3.3 Specifications	20

Chapter 4	
B804–116 115 Vac Output	21
4.1 Overview	22
4.1.1 Simplified Schematic	22
4.2 Field Connections	23
4.2.1 Output Connections	23
4.3 Specifications	24
Chapter 5	
B804–148 48 Vac Output	25
5.1 Overview	26
5.1.1 Simplified Schematic	26
5.2 Field Connections	27
5.2.1 Output Connections	27
5.3 Specifications	28
Chapter 6	
B805–016 115 Vac Input	29
6.1 Overview	30
6.1.1 Simplified Schematic	30
6.2 Field Connections	31
6.2.1 Input Connections	31
6.3 Specifications	32
Chapter 7	
B806–032 115 Vac Output	33
7.1 Overview	34
7.1.1 Simplified Schematic	34
7.2 Field Connections	35
7.2.1 Output Connections	35
7.3 B806-032 Fusing Guidelines	36
7.4 Specifications	37

Chapter 8	
B806–124 24 Vac Output	39
8.1 Overview	40
8.1.1 Simplified Schematic	40
8.2 Field Connections	41
8.2.1 Output Connections	41
8.3 Specifications	42
Chapter 9	
B807–132 115 Vac Input	43
9.1 Overview	44
9.1.1 Simplified Schematic	44
9.2 Field Connections	45
9.2.1 Input Connections	45
9.2.2 Input Current-to-Frequency Relationship	46
9.3 Specifications	47
Chapter 10	
B808–016 230 Vac Output	49
10.1 Overview	50
10.1.1 Simplified Schematic	50
10.2 Field Connections	51
10.2.1 Output Connections	51
10.3 Specifications	52
Chapter 11	
B809–016 230 Vac Input	53
11.1 Overview	54
11.1.1 Simplified Schematic	54
11.2 Field Connections	55
11.2.1 Input Connections	55
11.3 Specifications	56

Chapter 12	
B810–008 115 Vac Isolated Output	57
12.1 Overview	58
12.1.1 Simplified Schematic	58
12.2 Field Connections	59
12.2.1 Output Connections	59
12.3 Specifications	60
Chapter 13	
B814–108 Relay Output	61
13.1 Overview	62
13.1.1 Simplified Schematic	62
13.2 Configuration	63
13.3 Field Connections	64
13.3.1 Output Connections	64
13.4 Specifications	65
Chapter 14	
B817–116 and B817–216 115/230 Vac Isolated Input	67
14.1 Overview	68
14.1.1 Simplified Block Diagram	68
14.2 Field Connections	69
14.2.1 Terminal Numbering and Input Functions	69
14.3 Specifications	71
Chapter 15	
B820–008 10 ... 60 Vdc Output (True High)	73
15.1 Overview	74
15.1.1 Simplified Schematic	74
15.2 Field Connections	75
15.2.1 Output Connections	75
15.3 Specifications	76

Chapter 16	
B821–108 10 ... 60 Vdc Input (True High)	77
16.1 Overview	78
16.1.1 Simplified Schematic	78
16.2 Field Connections	79
16.2.1 Input Connections	79
16.3 Specifications	80
Chapter 17	
B824–016 24 Vdc Output (True High)	83
17.1 Overview	84
17.1.1 Simplified Schematic	84
17.2 Field Connections	85
17.2.1 Output Connections	85
17.3 Specifications	86
Chapter 18	
B825–016 24 Vdc Input (True High)	87
18.1 Overview	88
18.1.1 Simplified Schematic	88
18.2 Field Connections	89
18.2.1 Input Connections	89
18.3 Specifications	90
Chapter 19	
B826–032 24 Vdc Output (True High)	91
19.1 Overview	92
19.1.1 Simplified Schematic	92
19.2 Field Connections	94
19.2.1 Output Connections	94
19.3 Specifications	95

Chapter 20	
B827–032 24 Vdc Input (True High)	97
20.1 Overview	98
20.1.1 Simplified Schematic	98
20.2 Field Connections	99
20.2.1 Input Connections	99
20.3 Specifications	100
Chapter 21	
B828–016 5 V TTL Output	101
21.1 Overview	102
21.1.1 Simplified Schematic	102
21.2 Field Connections	103
21.2.1 Output Connections	103
21.3 Specifications	104
Chapter 22	
B829–116 5 V TTL Input	105
22.1 Overview	106
22.1.1 Simplified Schematic	106
22.2 Field Connections	107
22.2.1 Input Connections	107
22.3 Specifications	108
Chapter 23	
B832–016 24 Vdc Output (True Low)	109
23.1 Overview	110
23.1.1 Simplified Schematic	110
23.2 Field Connections	111
23.2.1 Output Connections	111
23.3 Specifications	112

Chapter 24	
B833-016 24 Vdc Input (True Low)	113
24.1 Overview	114
24.1.1 Simplified Schematic	114
24.2 Field Connections	115
24.2.1 Input Connections	115
24.3 Specifications	116
Chapter 25	
B836-016 12 ... 250 Vdc Isolated Output	117
25.1 Overview	118
25.1.1 Simple Block Diagram	119
25.2 Field Connections	120
25.2.1 Terminal Numbering and Output Functions	120
25.2.2 Typical User-side Field Connector Circuitry	121
25.3 Specifications	122
Chapter 26	
B837-016 24 V ac/dc Input	123
26.1 Overview	124
26.1.1 Simple Block Diagram	124
26.2 Field Connections	126
26.3 Specifications	127
Chapter 27	
B838-032 24 Vdc Output (True High)	129
27.1 Overview	130
27.1.1 Simplified Schematic	130
27.2 Field Connections	131
27.2.1 Output Connections	131
27.3 Specifications	132

Chapter 28	
B840–108 Relay Output	133
28.1 Overview	134
28.1.1 Simplified Schematic	134
28.2 Configuration	136
28.3 Field Connections	137
28.3.1 Terminal Numbering and Output Functions	137
28.4 Specifications	138
Chapter 29	
B849–016 48 V ac/dc Input	139
29.1 Overview	140
29.1.1 Simple Block Diagram	140
29.2 Field Connections	142
29.2.1 Terminal Numbering and Input Functions	142
29.3 Specifications	143
Chapter 30	
B853–016 115 Vac/125 Vdc Input	145
30.1 Overview	146
30.1.1 Simple Block Diagram	146
30.2 Field Connections	148
30.2.1 Terminal Numbering and Input Functions	148
30.3 Specifications	149
Chapter 31	
B855–016 Intrinsically Safe 12 Vdc Input	151
31.1 Overview	152
31.2 Installation	153
31.3 Specifications	158

Chapter 32	
B863–032 Monitored 24 Vdc Input	159
32.1 Overview	160
32.1.1 Simplified Schematic	160
32.2 Field Connections	162
32.2.1 Input Connections	162
32.3 Quick Start Test	163
32.3.1 Application Example	164
32.4 Specifications	166
Chapter 33	
B863–132 24 Vdc Input	167
33.1 Overview	168
33.1.1 Simplified Schematic	168
33.2 Switch Settings	169
33.3 Field Connections	170
33.4 Configuration	171
33.5 Specifications	172
Chapter 34	
B864–001 Register Output	173
34.1 Overview	174
34.1.1 Simplified Block Diagram	175
34.2 Switch Settings	176
34.3 Field Connections	177
34.3.1 Terminal Numbering and Output Functions	177
34.3.2 Pull-up Resistor Connection	178
34.4 Specifications	180

Chapter 35	
B865–001 Register Input	181
35.1 Overview	182
35.1.1 Simplified Block Diagram	183
35.2 Switch Settings	184
35.3 Field Connections	185
35.3.1 Terminal Numbering and Input Functions	185
35.3.2 Pull-up Resistor Connection	185
35.3.3 Strobe Type	186
35.4 Specifications	187
Chapter 36	
B881–001 Latched 24 Vdc Input	189
36.1 Overview	190
36.1.1 Simplified Block Diagram	190
36.2 Field Connections	192
36.2.1 Terminal Numbering and Input Functions	192
36.3 Specifications	193
Chapter 37	
B881–108 Protected 120 Vac Output	195
37.1 Overview	196
37.1.1 Simplified Schematic	198
37.2 Using the Fault Condition Filter	199
37.3 Field Connections	200
37.3.1 Output Connections	200
37.4 Quick Start Test	201
37.4.1 Application Example	202
37.5 Specifications	203

Chapter 38	
B881–508 125 Vdc Output	205
38.1 Overview	206
38.1.1 Simplified Schematic	207
38.2 Fault Conditions	208
38.3 Field Connections	209
38.3.1 Output Connections	209
38.4 Specifications	210
Chapter 39	
B882–032 24 Vdc Diagnostic Output	211
39.1 Overview	212
39.1.1 Simplified Schematic	212
39.2 Fault Conditions	213
39.2.1 B882 Mode	213
39.2.2 B818 Mode	213
39.2.3 Fault Definitions	214
39.3 Field Connections	215
39.4 DIP Switch Settings	216
39.5 Quick Start Test	217
39.5.1 Application Example	218
39.6 Specifications	219
Chapter 40	
B882–116 24 Vdc Output	221
40.1 Overview	222
40.1.1 Simplified Schematic	222
40.2 Field Connections	223
40.2.1 Output Connections	223
40.3 Configuration	224
40.4 Switch Settings	227
40.5 Specifications	228

Appendix A	
I/O Key Pin Assignments	229
Index	232

Chapter 1

800 Series I/O Modules

- Overview
- System Interface
- I/O Map
- Grounding Guidelines
- Installation
- Quick Start Test
- Generic Specifications

1.1 Overview

- Status indicators
- Front accessible fuses
- A module handle permits easy installation and removal
- Safe, non-conductive module front permits easy access of test probes
- Designed for harsh, plant-floor environments
- Each point is electrically isolated from logic
- Removable without disturbing rigid field wiring system
- Satisfies SWC requirements of IEEE and ANSI guides

Each I/O point is electrically isolated from the controller by an optical coupler. The I/O signals can withstand the severe voltage transients normally encountered in industrial environments without damage to the I/O module or controller. Moreover, the modules satisfy surge withstand capability (SWC) of both IEEE and ANSI guides. All I/O points shut OFF in the event of a communication failure between a Modicon controller and the I/O module. This occurs within 300 ms of the signal loss. The module's ACTIVE indicator will also shut OFF.

The I/O modules can be inserted into any I/O location in the 800 series I/O structure. The module slides easily into the module housing and does not interfere with any other module's operation.

The module's protective case shields the logic circuitry from any electrical interference and minimizes the possibility of any noise being coupled from the user side of the circuitry to adjacent modules. A ground is automatically established when the module is inserted into the housing. This low impedance earth ground originates from the housing's backplane.

1.2 System Interface

When used with a Modicon PLC in a remote configuration, the appropriate RIO Adapter module or RIO Adapter module with ASCII, must be present in the I/O rack. (See instructions shipped with the Modicon adapter modules.)

Indicators

The applicable indicators on the front of the module shows the status as listed below.

Indicator	Color	Meaning when ON or Blinking
Active	Green	The module has passed its power diagnostics without error—it remains ON until background diagnostics detect an error condition, loss of internal voltage, or loss of communication with PLC
Discrete I/O	Red	Power is available at the output of the module for use by field devices
Blown Fuse	Red	A fuse is blown
Over Range	Red	One or more inputs have exceeded the valid input range
Under Range	Red	One or more inputs have dropped below the valid input range
Field Power	Red	Field power is supplied, and OK



Note: The active indicator does not represent the condition of the I/O points. The indicator may be lit with one or more of the I/O points not working properly.

1.3 I/O Map

The I/O Map is used to direct the flow of data between the various I/O modules and the logic program. It is the tie between the references used in the logic program and the I/O module connection points.

1.3.1 800 Series Configuration

The 800 Series I/O Map lets you match the 984 controller I/O addresses with what will be installed or with what actually exists in the field. The I/O Map also tells the controller how to use an input signal in user logic, and, where to send an output signal. The format of register data (BCD -- binary coded decimal or BIN binary) is specified on this screen. The screen objective is to load the card selections and reference number selections to complete the I/O configuration.

In the Configuration Overview, you must specify the number of I/O drops and I/O modules. These numbers are checked when entries to the I/O Map are made. The Modsoft Runtime files contain descriptions of the different kinds of modules. GCNFTCOPSYS includes the description of "B8" modules, with module number, number of inputs, outputs descriptor and identifier. Refer to your Modsoft software.


1.4 Grounding Guidelines

- To have proper case ground, the housing must be connected to earth ground
- When using shielded field circuit wires, do not ground the shield at both ends of the circuit (i.e., the module and the field device)
- Single point grounding should be used where possible
- Priority for shield grounding:
 - Field side device case, if metal
 - Earth ground, as close to the field side device or module as possible
 - From shield to frame

1.5 Installation

Procedure How to Install an 800 Series I/O Module

Installation of your 800 Series module involves: unpacking the module, wiring the field connector, installing key pins in the housing, and mounting the module in the housing.

- Step 1** Remove the module from its shipping box and check for damage. If damaged, contact your salesman or distributor for correct replacement procedure.
- Step 2** Ensure power to housing is OFF.
- Step 3** Designate the housing slot for this module.
- Step 4** Locate the required connector assembly. (Modicon Part number AS- -8534- -000 or AS- -8535- -000). This assembly consists of one or two 20- -pin connectors.
-  **Note:** Remove the keying tabs on the connector prior to installing the module.
- Step 5** Remove the old duct, if a different connector/cabling duct assembly is already present in the designated housing slot.
- Step 6** (Optional Step) If there is a module to the immediate left of the slot designated for the module's installation, temporarily remove it.
- Step 6** As shown in Figure 1, Mount the new field connector/duct assembly to the left of the module's designated housing slot and secure it to the housing top and bottom using the two Phillips head machine screws provided.

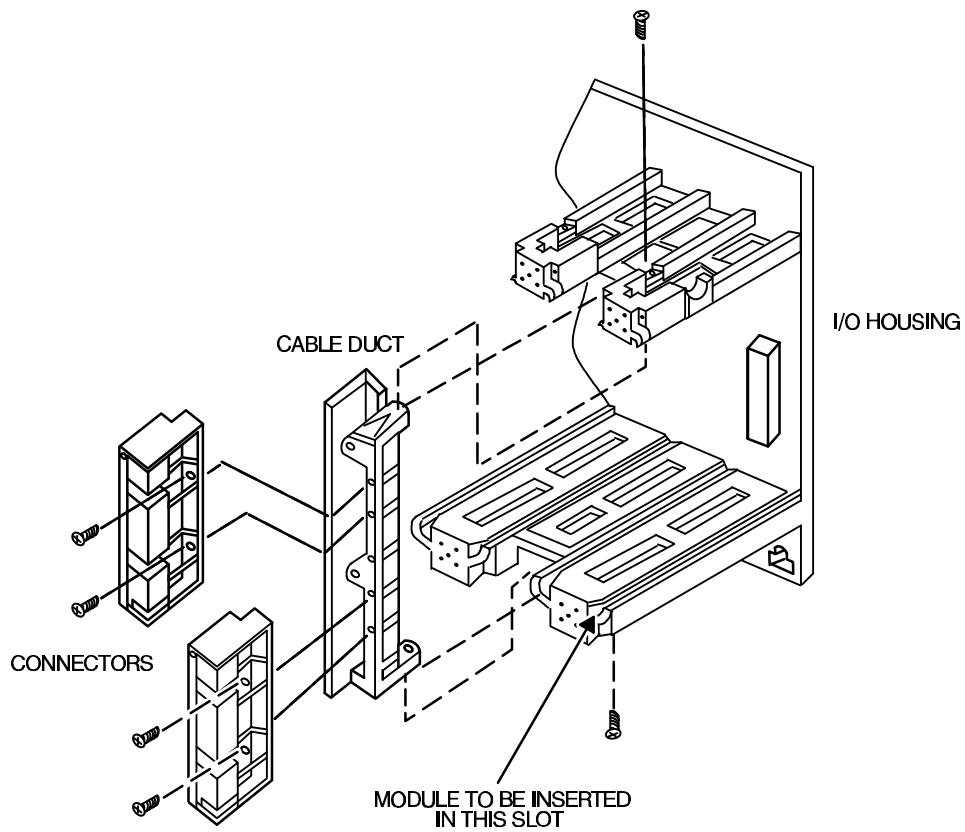


Figure 1 Cabling Duct/Field Connector Assembly

1.5.1 Field Connection



Note: When performing this step, refer to the appropriate chapter in this manual of the 800 Series module you are installing for the appropriate connector type.

Step 7 Connect field side wiring to proper pins on the field connector.



Note: Terminals accept either two 14 AWG size wires or one 12 AWG size wire/point.



Caution: Neat and proper workmanship methods by qualified personnel must be employed when making connections to this module. Take extra precautions if you are using stranded wire. Ensure that loose or projecting strands do not short circuit or ground the other terminals. We recommend that you use solid wire.

Step 8 Re-install any module temporarily removed.

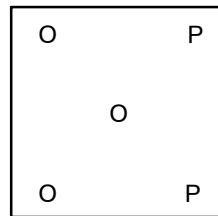


Note: When performing this step, refer to Appendix A for illustrations of optional key pin patterns for the 800 Series module you are installing. This Appendix contains key pin patterns for all 800 series I/O modules.

Step 9 When using key pins (provided with housing shipment), install them above and below the housing slot selected for this module's installation.

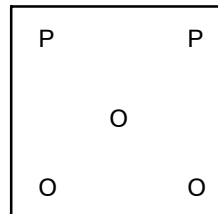
Figure 2 shows this optional mechanical keying system used to match the module type with a particular slot in the housing to ensure proper module replacement.

LOOKING AT FRONT OF HOUSING – OVER MODULE SLOT



When facing housing, place the knurled end of the key pins into the holes indicated by the P. Use a 1/2 in plastic head mallet or equivalent to drive the pin into the housing approximately 1/4 in.

NOTE: The keying system is optional.



LOOKING AT FRONT OF HOUSING – UNDER MODULE SLOT

Figure 2 Example of Key Pin Location

Step 10 Insert module into housing, firmly but carefully, seating the edge connector in the backplane.



Note: First time installation of a module may be tight.

- Step 11** Secure the module to housing using captive slotted mounting screws at the top and bottom of the module front panel.
- Step 12** After confirming all modules are properly installed, apply applicable field power and re-apply power to the programmable controller.
- Step 13** I/O Map the module.
- Step 14** Start the controller.
- Step 15** Confirm that the module's active light is illuminated.

1.6 Quick Start Test

- Step 1** Determine which channel and slot location are being used for this module.
- Step 2** Wire field device to the appropriate terminals (refer to the individual wiring diagrams/field connector drawings for that particular I/O module) on either the AS-8534-000 low density connector, or AS-8535-000 high density connector, (refer to the Specification section for your particular I/O module to determine which connector is required.)
- Step 3** Stop the PLC.
- Step 4** Install the I/O module.
- Step 5** I/O Map the module, reference at the desired discrete or register reference.
- Step 6** Start the PLC.
- Step 7** Confirm that the modules active light is illuminated (may require Step 8 wiring first).
- Step 8** To turn an input ON, apply the required power to the appropriate terminals (refer to the individual wiring diagrams/field connector drawings for your particular I/O module), and confirm that the red I/O light is illuminated after turning I/O point ON.

To turn an output ON enter the programming screen (P230 or equivalent) and call up the reference and disable this reference ON.



Note: Refer to 984 System Manual for specifics on disabling coils.

See individual chapters for module specific Quick Starts.

1.7 Generic Specifications

Generic Environmental Specifications

Operating	Temperature	0 ... 60°C (32 ... 140°F)
	Humidity	0 ... 95% (non-condensing) @ 60°C
Operating	Temperature	-40 ... 85°C (32 ... 140°F)
	Humidity	0 ... 95% (non-condensing) @ 60°C
Isolation	Field to System	2000 VAC steady state maximum @ 60 Hz for 1 min
	Between Groups	2500 VDC for 60 s without breakdown. Leakage current shall not exceed 1.5 mA
Shock	Operating	±15 G peak, 11 ms, half-sine wave
	Non-operating	±15 G peak, 11 ms, half-sine wave
Vibration	Operating	0.005 in D.A. Sine, from 10 to crossover frequency (57 ... 62 Hz)
		1.0 G from crossover frequency to 50 Hz
	Non-operating	0.029 G sq/Hz, 10 ... 50 Hz rolloff @ -8dB/octave from 50 ... 500 Hz
EMI		MIL-STD 461B
RFI		FCC Class A
Surge Withstand Capability		IEEE 472-1974 and ANSI C37.90A-1974

Generic Mechanical Specifications

Dimensions (W x H x D)	2.0 x 10.5 x 8.0 in
	50.8 x 266.7 x 203.2 mm
Weight	2.4 lbs. (1.1 kg)
Space Required	1 I/O slot

See individual chapters for module specific Specifications.

Chapter 2

B802-008 115 Vac Output

- Overview
- Field Connections
- Specifications

2.1 Overview

The B802-008 115 Vac (8 point) Output Module converts logic signals used within the PLC into eight independent 115 Vac outputs. Each output is capable of driving a relay, pilot lamp, motor starter, solenoid, or any other load up to 2.0 A.

The B802 is capable of handling a total continuous current of 12 A. The module uses triac switches to control loads connected to an external power source. These switches are designed to withstand the high surge currents typical of industrial loads.

2.1.1 Simplified Schematic

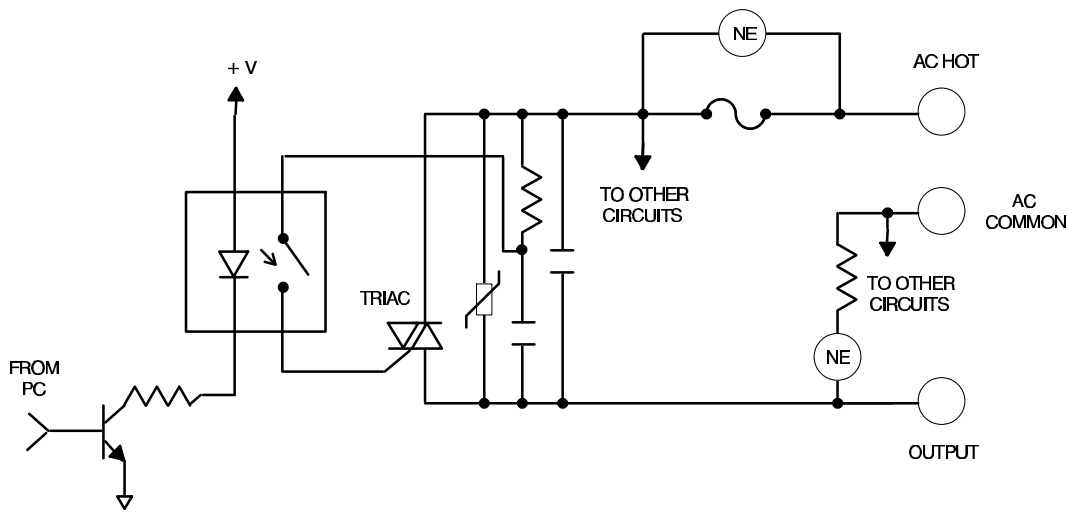


Figure 3 B802-008 Simplified Schematic

The module's eight outputs are separated into four groups of two outputs each. An LED indicator lights when an output is ON.

2.2 Field Connections

User connections are made to a standard screw terminal strip and the rigid wiring system permits module insertion or removal without disturbing the wiring.

2.2.1 Output Connections

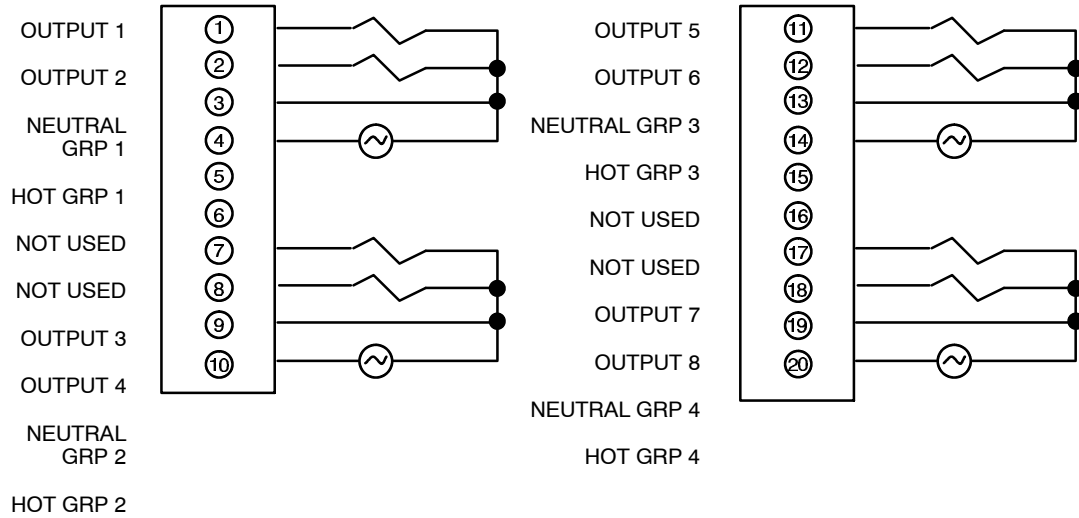


Figure 4 B802-008 Terminal Numbering and Output Connections

2.3 Specifications

B802-008 Specifications		
Description		115 Vac output
Number of Points		8
Operating Voltage		80 ... 130 Vac continuous / 47 ... 63 Hz
Number of Groups		4
Outputs/group		2
ON Current	Maximum/point	2 A continuous
	Maximum/module	12.0 A
Surge Current		50 A (max) 1 cycle / circuit
ON Voltage Drop		1.3 V @ 2.0 A
Maximum OFF	Leakage Current	3 mA @ 115 Vac
	Maximum ON Current	50 mA @ 115 Vac
Maximum Response Time	OFF → ON	8.3 ms @ 60 Hz
	ON → OFF	8.3 ms @ 60 Hz
dv/dt		100 V/μs
	Commutating	5 V/μs
Power Required	+5 V	76 mA
	+4.3 V	240 mA
	-5 V	0 mA
Terminal Connector		AS-8534-000
Fusing		One/group, Type 3 AG, 6 A (normal blow)

Chapter 3

B803-008 115 Vac Input

- Overview
- Field Connections
- Specifications

3.1 Overview

The B803-008 115 Vac (8 point) Input Module senses and converts switched input signals into logic voltage levels used by the PLC into 8 independent 115 Vac outputs. The module allows for up to eight independently sensed inputs. These inputs can be received from push buttons, limit and proximity switches, as well as other 115 Vac sources.

3.1.1 Simplified Schematic

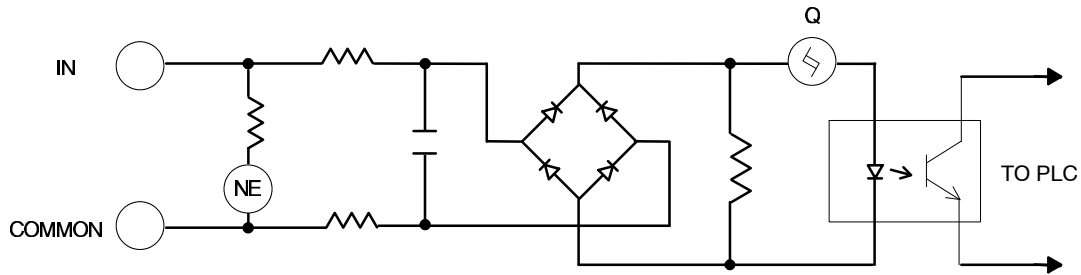


Figure 5 B803-008 Simplified Schematic

3.2 Field Connections

User connections are made to a standard screw terminal strip and the rigid wiring system permits module insertion or removal without disturbing the wiring.

3.2.1 Output Connections

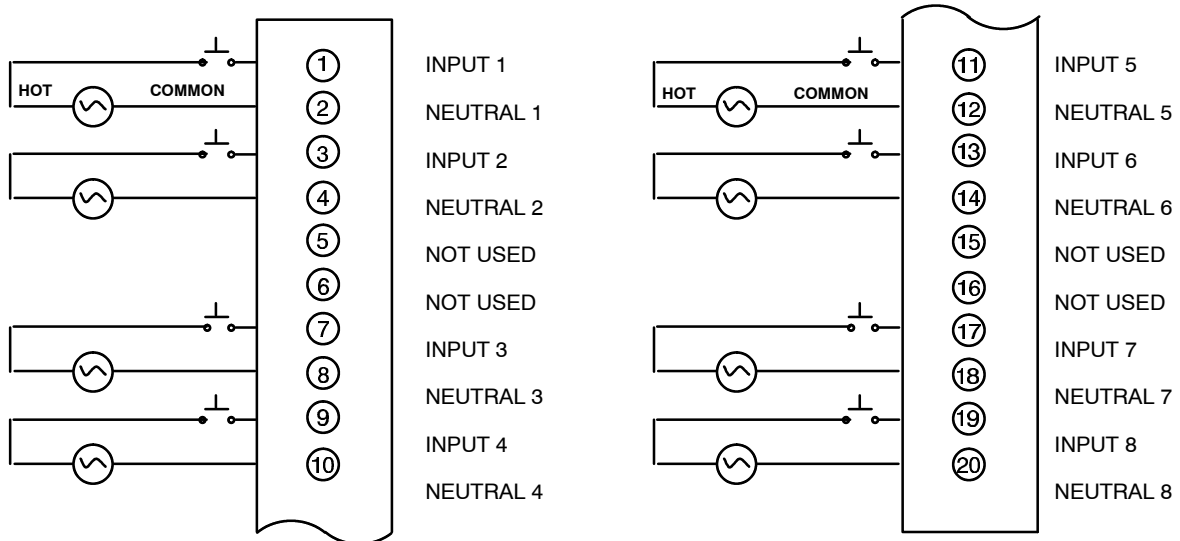


Figure 6 B803-008 Terminal Numbering and Input Connections

3.3 Specifications

B803-008 Specifications		
Description		115 Vac isolated input
Number of Points		8
Operating Range Voltage		80 ... 130 Vac / 47 ... 63 Hz
Number of Groups		8
Inputs / Group		1
Maximum Input Voltage	Continuous	130 Vac
	Surge	220 Vac for 1 cycle
ON Condition		80 ... 130 Vac (Source Impedance < 1k Ω)
OFF Condition	Maximum / Module	0 ... 35 Vac (Source Impedance = 0 Ω)
		0 ... 130 Vac (Source Impedance \geq 40k Ω)
"ON" Condition	Threshold Voltage	60 \pm 15VRMS
ON Current		7 mA (typical) @ 115 Vac
Maximum Response Time	OFF \rightarrow ON	6 ms (4 ms typical)
	ON \rightarrow OFF	18 ms (12 ms typical)
Power Required	+5 V	27 mA
	+4.3 V	1 mA
	-5 V	2 mA
Terminal Connector		AS-8534-000

Chapter 4

B804–116 115 Vac Output

- Overview
- Field Connections
- Specifications

4.1 Overview

The B804-116 115 Vac (16 point) Output Module converts logic signals used in the PLC into 16 independent 115 Vac outputs. Each output is capable of driving a relay, pilot lamp, motor starter, solenoid, or any other load up to 2.0 A.

The B804 is capable of handling a total continuous current of 6 A/group of eight points and 12 A/module. The module uses triac switches to control loads connected to an external power source. These switches are designed to withstand the high surge currents typical of industrial loads.

4.1.1 Simplified Schematic

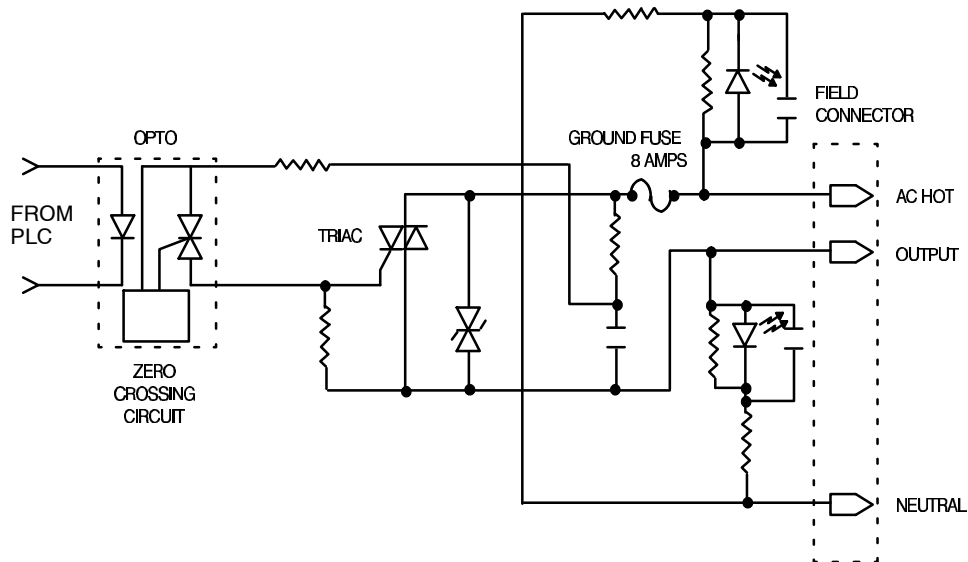


Figure 7 B804-116 Simplified Schematic

The module's 16 outputs are separated into two groups of eight outputs each.

4.2 Field Connections

User connections are made to a standard screw terminal strip and the rigid wiring system permits module insertion or removal without disturbing the wiring.

4.2.1 Output Connections

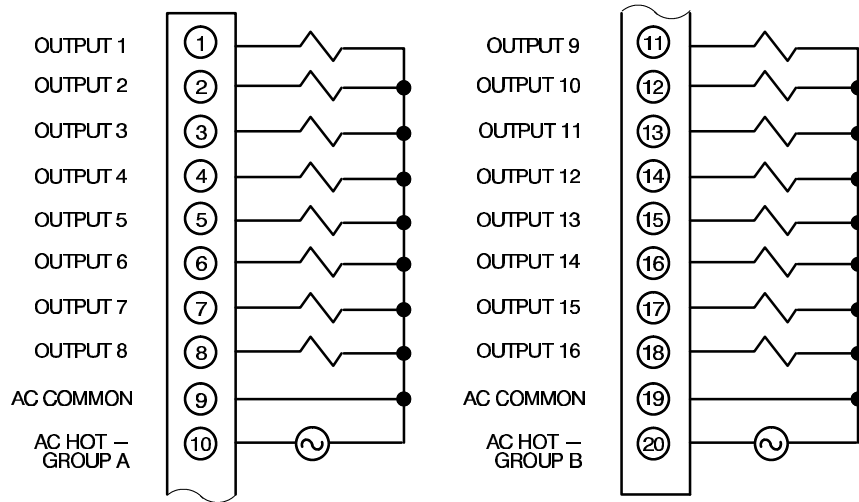


Figure 8 B804-116 Terminal Numbering and Output Connections

4.3 Specifications

B804-116 Specifications		
Description		115 Vac output
Number of Points		16
Operating Voltage		80 ... 130 Vac continuous / 47 ... 63 Hz
Number of Groups		2
Outputs / Group		8
ON Current	Maximum / Point	2 A continuous
	Surge Current	50 A 1 cycle
	Maximum / Group	6 A
	Maximum / Module	12.0 A
	Minimum Load Current	25 mA (B804-116)
	Minimum Load Current	50 mA (B804-016)
Maximum OFF	Leakage Current	3 mA @ 115 Vac
Voltage Drop		1.5 V @ 2.0 A
Maximum Response Time	OFF → ON	8.3 ms @ 60 Hz
	ON → OFF	8.3 ms @ 60 Hz
dv/dt		100 V/ms
Power Required	+5 V	76 mA
	+4.3 V	480 mA
	-5 V	0 mA
Terminal Connector		AS-8534-000
Fusing		Type 3AB, 8 A (normal blow)

Chapter 5

B804–148 48 Vac Output

- Overview
- Field Connections
- Specifications

5.1 Overview

The B804-148 48 Vac (16 point) Output Module converts logic signals used within the PLC into 16 independent 48 Vac outputs. Each output is capable of driving a relay, pilot lamp, motor starter, solenoid, or any other load up to 2.0 A. The module has 16 outputs, divided into two groups of eight discrete points.

5.1.1 Simplified Schematic

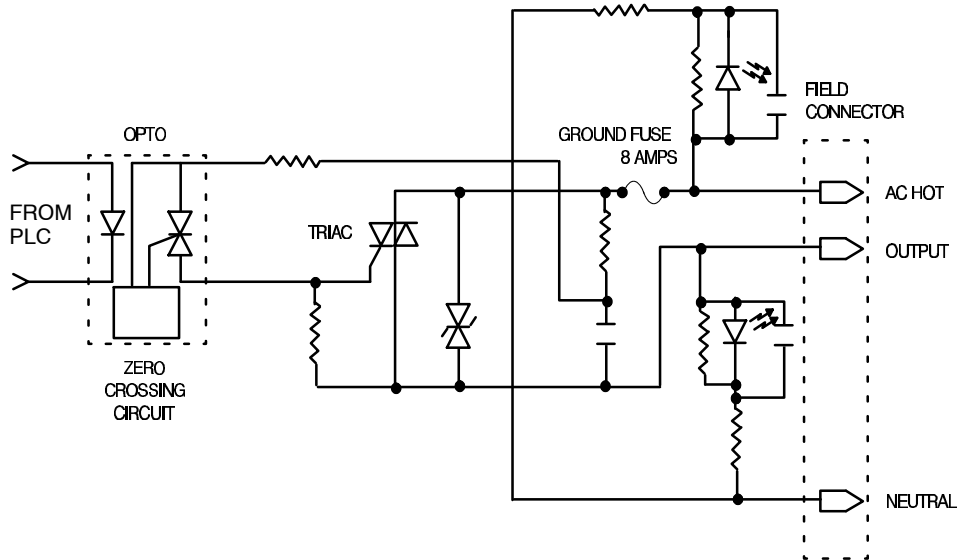


Figure 9 B804-148 Simplified Schematic

5.2 Field Connections

User connections are made to a standard screw terminal strip and the rigid wiring system permits module insertion or removal without disturbing the wiring.

5.2.1 Output Connections

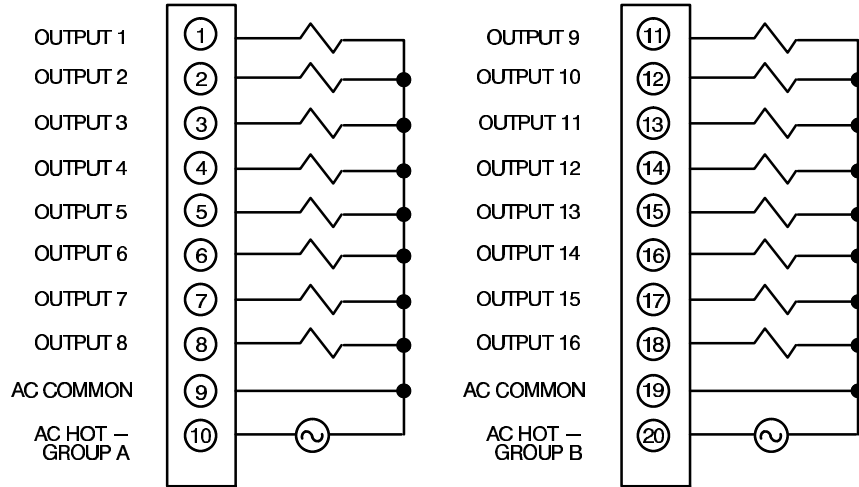


Figure 10 B804-148 Terminal Numbering and Output Connections

5.3 Specifications

B804-148 Specifications		
Description		48 Vac output
Number of Points		16
Operating Range Voltage		40 ... 56 Vac continuous / 47 ... 63 Hz
Number of Groups		2
Outputs/group		8
ON Current	Maximum/point	2 A continuous
	Surge Current	50 A 1 cycle
	Maximum/group	6 A
	Maximum/module	12.0 A
Maximum OFF		3 mA
Leakage Current		3 mA
Voltage Drop		1.5 V @ 2 A
Minimum Load Current		25 mA RMS
Maximum Response Time	OFF → ON	8.3 ms @ 60 Hz
	ON → OFF	8.3 ms @ 60 Hz
dv/dt		100 V/ms
	Commutating	5 V/ms
Power Required	+5 V	76 mA
	+4.3 V	480 mA
	-5 V	0 mA
Terminal Connector		AS-8534-000
Fusing		One / group, 8 A replace- able

Chapter 6

B805-016 115 Vac Input

- Overview
- Field Connections
- Specifications

6.1 Overview

The B805-016 115 Vac (16 point) Input Module senses and converts switched input signals into logic voltage levels used by the PLC. The module allows for up to 16 inputs in 2 groups of 8. These inputs can be received from push buttons, limit and proximity switches, as well as other 115 Vac sources.

6.1.1 Simplified Schematic

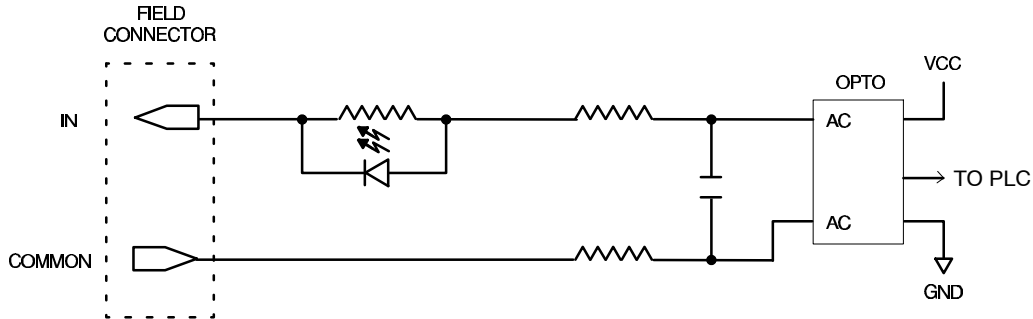


Figure 11 B805-016 Simplified Schematic

6.2 Field Connections

User connections are made to a standard screw terminal strip and the rigid wiring system permits module insertion or removal without disturbing the wiring.

6.2.1 Input Connections

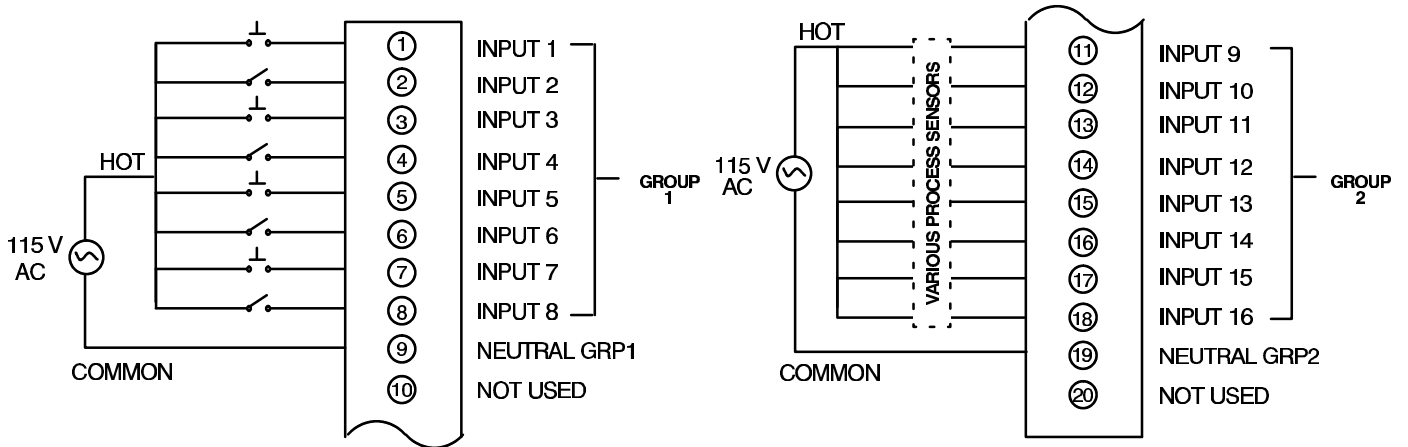


Figure 12 B805-016 Terminal Numbering and Input Connections

6.3 Specifications

B805-016 Specifications		
Description		115 Vac input
Number of Points		16
Operating Range		80 ... 130 Vac / 47 ... 63 Hz
Number of Groups		2
Inputs/group		8
Maximum Input Voltage	Continuous	130 Vac
	Surge	220 Vac for 1 cycle
ON Conditions		80 ... 130 Vac (Source Impedance =0 Ω)
OFF Conditions		0 ... 35 Vac (Source Impedance =1 k Ω)
		0 ... 130 Vac (Source Impedance \geq 40 k Ω)
ON Current		6 mA (typical) @ 115 Vac
OFF Current		1.8 mA (max) @ 35 Vac RMS leakage for input sensors
		3.0 mA (Typ) @ 60Vac RMS
ON Condition	Threshold Voltage	60 \pm 15 V RMS
Maximum Response Time	OFF \rightarrow ON	6 ms (4 ms typical)
	ON \rightarrow OFF	18 ms (11 ms typical)
Power Required	+5 V	40 mA
	+4.3 V	1 mA
	-5 V	14 mA
Terminal Connector		AS-8534-000

Chapter 7

B806–032 115 Vac Output

- Overview
- Field Connections
- Fusing Requirements
- Specifications

7.1 Overview

The B806-032 Vac Output Module (B806) has 32 outputs. The outputs can serve 120 Vac voltage relays, motor starters, solenoids, pilot lamps, valves, and other loads rated up to 1.0 A. The outputs are divided into two groups of 16 discrete points.

7.1.1 Simplified Schematic

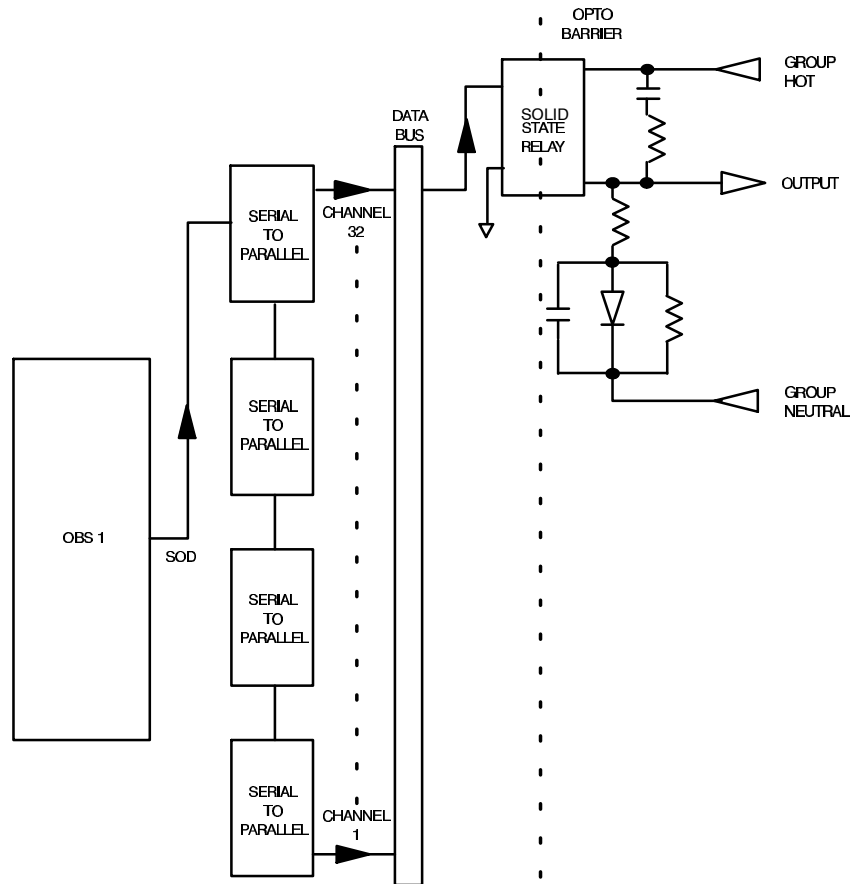


Figure 13 B806-032 Simplified Schematic

7.2 Field Connections

User connections are made to a standard screw terminal strip and the rigid wiring system /mits module insertion or removal without disturbing the wiring.

7.2.1 Output Connections

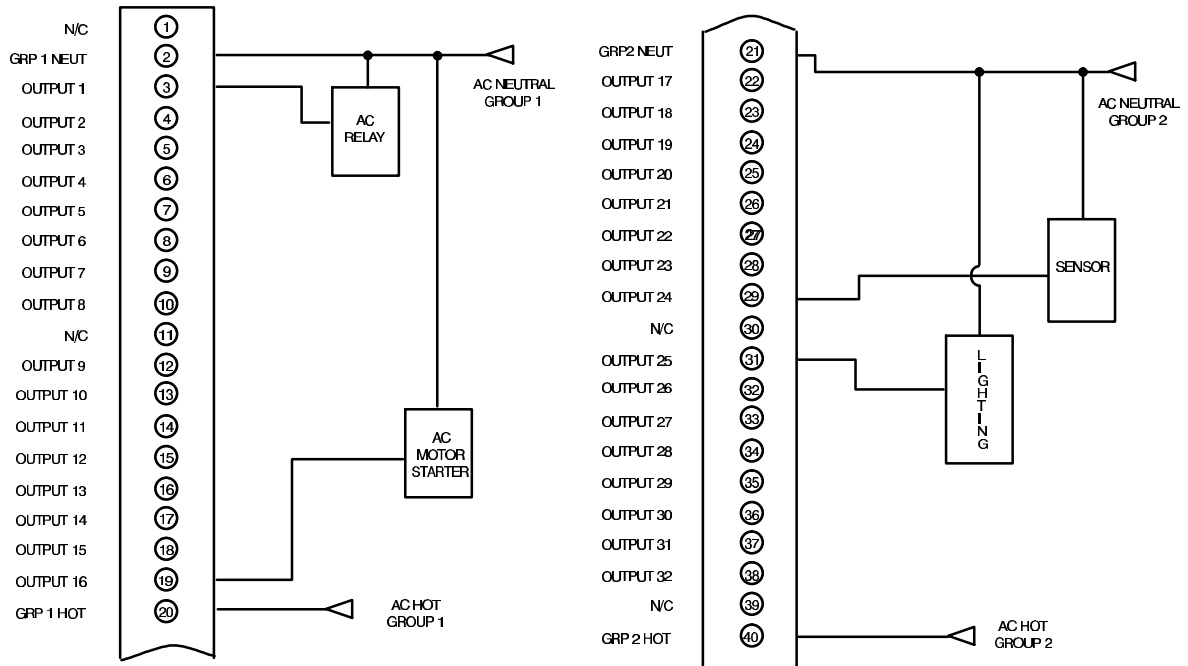


Figure 14 B806-032 Terminal Numbering and Output Connections

7.3 B806-032 Fusing Guidelines

For reasons of safety and equipment performance, Modicon strongly recommends external fusing on each individual output point according to the following rating:

Fuse Rating	Very Fast Acting	2 A
Example Type	<i>Little Fuse</i>	3 AB



Note: A minimum voltage rating of 250 V is required for safe fuse operation. Voltage ratings can be found along with current ratings on the fuse end cap.



Warning! Failure to fuse these output modules, or to follow the recommended fuse ratings, could cause unpredictable results in module performance and/or damage to this and other equipment. Observe fusing guidelines.

7.4 Specifications

B806-032 Specifications

Description		115 Vac output
Number of Points		32
Operating Voltage		80 ... 130 Vac continuous / 47 ... 63 Hz
Number of Groups		2
Outputs/group		16
On Current	Maximum/point	1 A continuous
	Surge Current	15 A 1 cycle
	Maximum/module	16 A
	Maximum/group	8 A
	Minimum Load Current	5 A
Maximum OFF	Leakage Current	2 mA @ 115 Vac
Voltage Drop		1.5 V RMS Maximum
Maximum Response Time	OFF → ON	8.3 ms @ 60 Hz
	ON → OFF	8.3 ms @ 60 Hz
dv/dt		600 V/μs
	Commutating	5 V/μs
Power Required	+5 V	210 mA
	+4.3 V	1 mA
	-5 V	0 mA
Terminal Connector		AS-8535-000



Note: The B806 is powered by a standard 120 Vac field power supply.

Chapter 8

B806–124 24 Vac Output

- Overview
- Field Connections
- Specifications

8.1 Overview

The B806-124 Output Module (B806) has 32 outputs. The outputs can serve 24 Vac voltage relays, motor starters, solenoids, pilot lamps, valves, and other loads rated up to 1.0 A. The outputs are divided into two groups of 16 discrete points.

8.1.1 Simplified Schematic

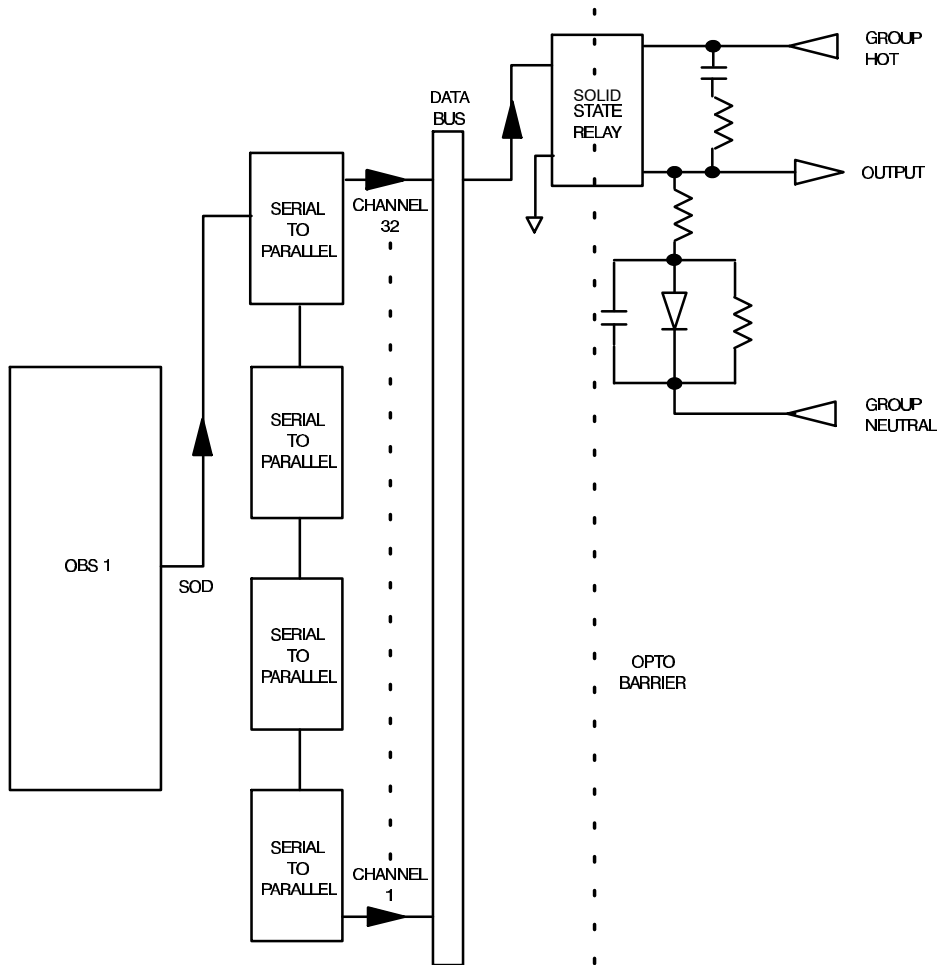


Figure 15 B806-124 Simplified Schematic

8.2 Field Connections

User connections are made to a standard screw terminal strip and the rigid wiring system permits module insertion or removal without disturbing the wiring.

8.2.1 Output Connections

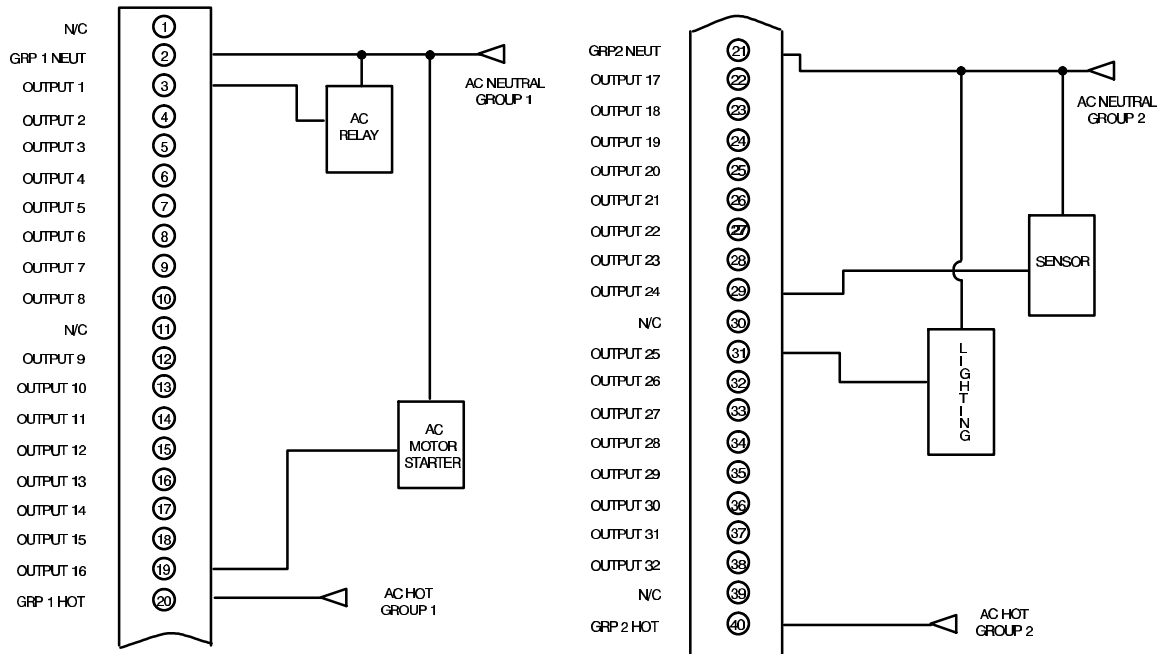


Figure 16 B806-124 Terminal Numbering and Output Connections

8.3 Specifications

B806-124 Specifications		
Description		24 Vac output
Number of Points		32
Operating Voltage		20 ... 28 Vac continuous / 47 ... 63 Hz
		32 Vac RMS max for 10 s
		42 Vac RMS max for 1 cycle
Number of Groups		2
Outputs/group		16
ON Current	Maximum/point	1 A continuous
	Surge Current	15 A 1 cycle
	Maximum/group	8 A
	Maximum/module	16 A
	Minimum Load Current	5 mA
Maximum OFF	Leakage Current	2 mA
Voltage Drop		1.5 V (max)
Maximum Response Time	OFF → ON	8.3 ms @ 60 Hz
	ON → OFF	8.3 ms @ 60 Hz
dv/dt		600 V/μs
	Commutating	5 V/μs
Power Required	+5 V	210 mA
	+4.3 V	1 mA
	-5 V	0 mA
Terminal Connector		AS-8535-000



Note: The B806 is powered by standard 24 Vac field power supply.

Chapter 9

B807-132 115 Vac Input

- Overview
- Field Connections
- Specifications

9.1 Overview

The B807-132 115 Vac (32 point) Input Module senses and converts switched input signals into logic voltage levels used by the PLC. These inputs can be received from push buttons, limit and proximity switches, as well as other 115 Vac sources.

9.1.1 Simplified Schematic

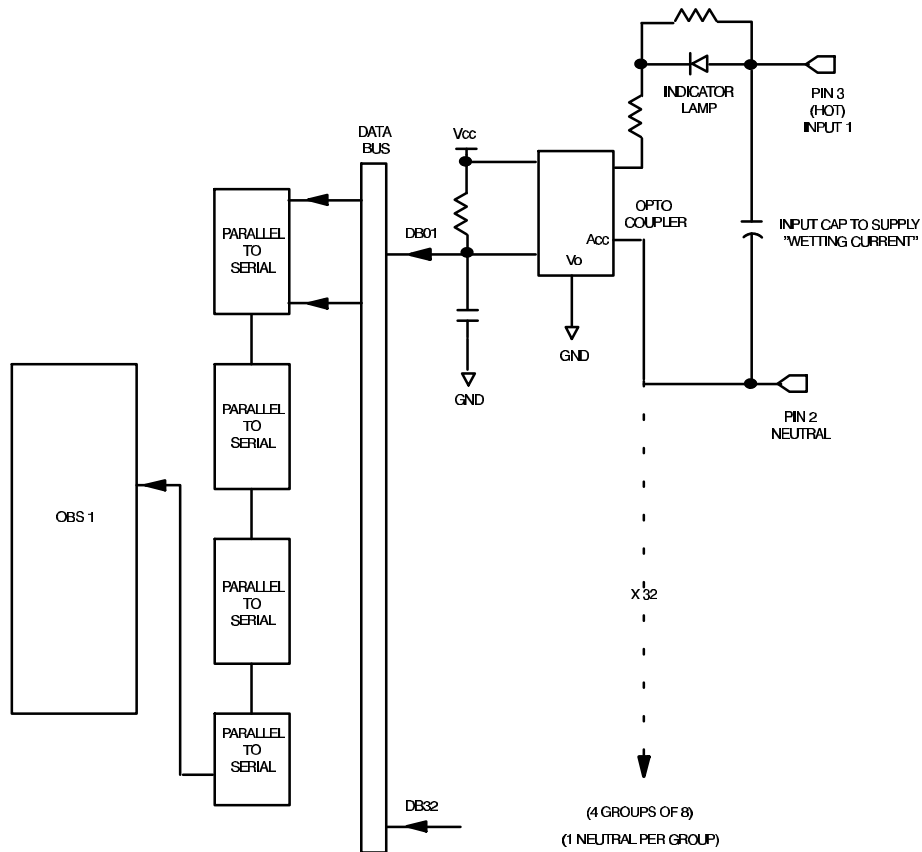


Figure 17 B807-132 Simplified Schematic



Note: When using Binary and BCD inputs remember that input 1 is the MSB and input 32 is the LSB.

9.2 Field Connections

User connections are made to a standard screw terminal strip and the rigid wiring system permits module insertion or removal without disturbing the wiring.

9.2.1 Input Connections

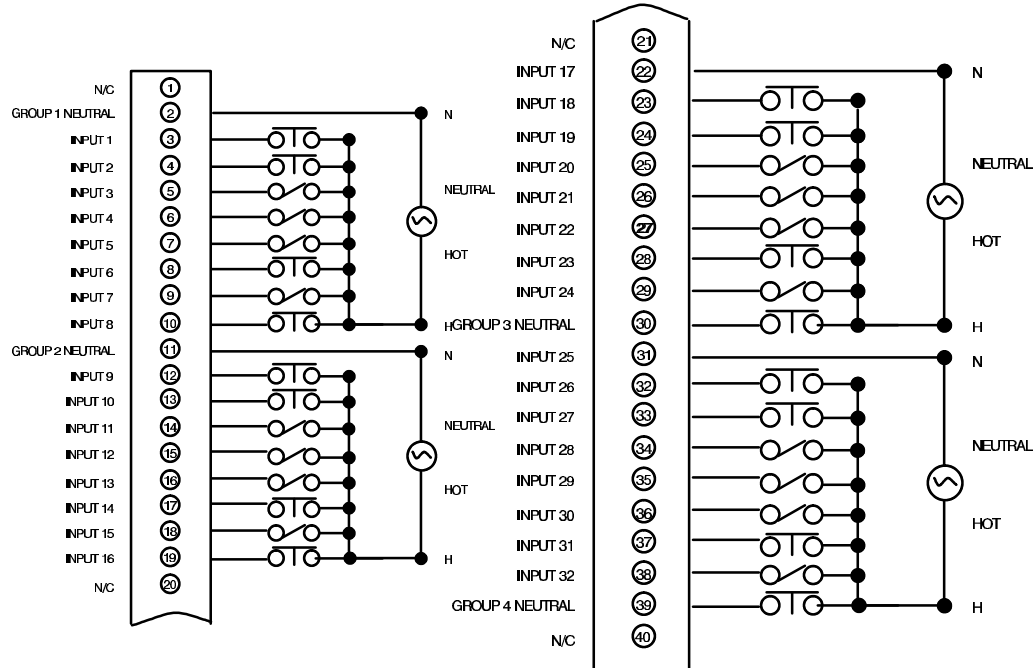
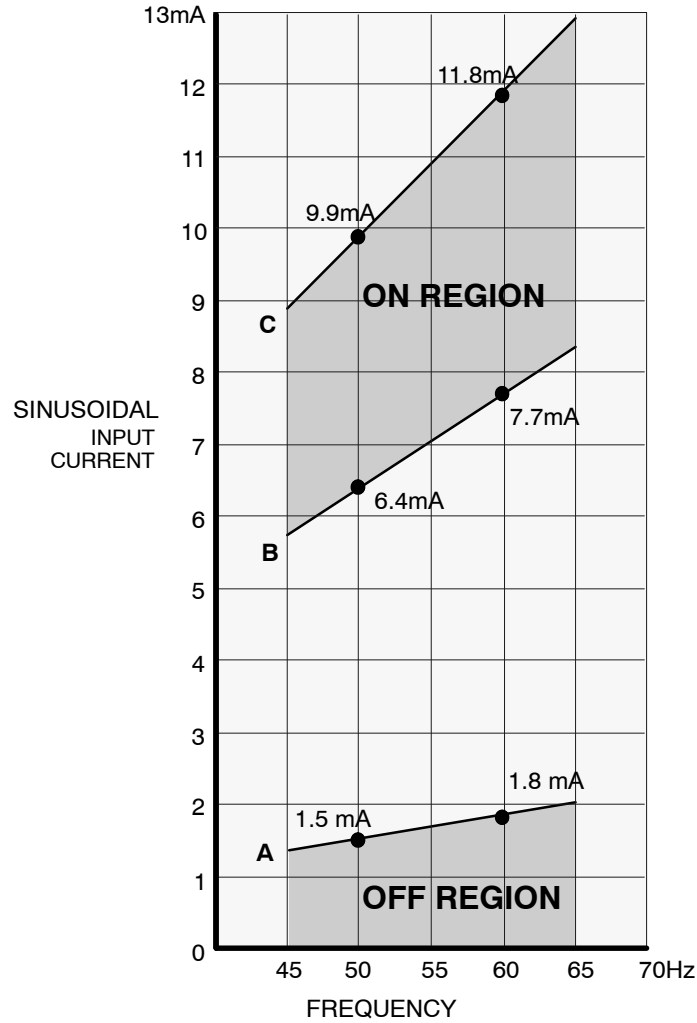


Figure 18 B807-132 Terminal Numbering and Input Connections

Note: Pins 1, 20, 21, and 40 have no internal connections.

Note: The module can operate from 47 ... 63 Hz. However, its use with proximity switches is recommended only at 60 Hz nominal line frequency. Leakage current through switching devices connected to the module may cause a false ON condition.

9.2.2 Input Current-to-Frequency Relationship




- A. MAXIMUM ALLOWABLE SINEWAVE LEAKAGE CURRENT (FROM EXTERNAL DEVICE) TO GUARANTEE AN OFF CONDITION (CALCULATED AT 35 Vac) AT B807 TERMINALS
- B. MINIMUM REQUIRED INPUT CURRENT TO GUARANTEE AN ON CONDITION
NOTE: THE MODULE IS INTENDED TO BE USED WITH VOLTAGE INPUTS; VOLTAGE INPUTS GREATER THAN 80Vac RMS AT MODULE TERMINALS GUARANTEE AN ON CONDITION
- C. MAXIMUM MODULE INPUT CURRENT AT 130 Vac


Figure 19 B807-132 Input Current to Frequency Chart

9.3 Specifications

B807-132 Specifications

Description	115 Vac input	
Number of Points	32	
Operating Voltage	80 ... 130 Vac continuous / 47 ... 63 Hz	
Number of Groups	4	
Inputs/group	8	
Maximum Input Voltage	150 Vac for 10 s	
	200 Vac for 1 cycle	
ON Condition	80 ... 130 Vac (Source Impedance <1 k Ω)	
OFF Condition	0 ... 35 Vac (Source Impedance =0 Ω)	
	0 ... 130 Vac (Source Impedance \geq 90 k Ω)	
ON Current	3.7 mA minimum @ 80 Vac, 50Hz input*	
	6.4 mA minimum @ 115 Vac, 60Hz input*	
Maximum External to Module Leakage Current	1.8 mA to guarantee an OFF condition @ 60Hz	
Maximum Response Time	OFF \rightarrow ON	6 ms
	ON \rightarrow OFF	35 ms
Power Required	+5 V	80 mA
	+4.3 V	2 mA
	-5 V	0 mA
Terminal Connector	AS-8535-000	
*Minimum input on current at stated voltage and frequency with less than 10 Ω source impedance		

 **Note:** All voltage and current specifications assume a sine wave form and are specified as RMS voltage and current.

 **Note:** Input LED brightness is a function of line voltage applied.

Chapter 10

B808–016 230 Vac Output

- Overview
- Field Connections
- Specifications

10.1 Overview

The B808-016 230 Vac (16 point) Output Module converts logic signals used within the PLC into 16 independent 230 Vac outputs. Each output is capable of driving a relay, pilot lamp, motor starter, solenoid, or any other load up to 2.0 A. The B808 is capable of 6 A per group of eight and handling 12 A per module.

The module uses triac switches to control loads connected to an external power source. These switches are designed to withstand the high surge currents typical of industrial loads.

10.1.1 Simplified Schematic

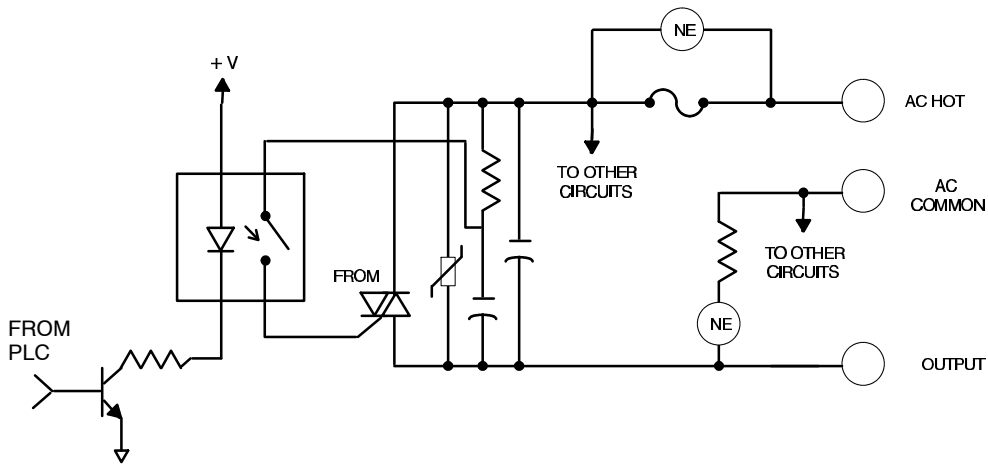


Figure 20 B808-016 Simplified Schematic

10.2 Field Connections

User connections are made to a standard screw terminal strip and the rigid wiring system permits module insertion or removal without disturbing the wiring.

10.2.1 Output Connections

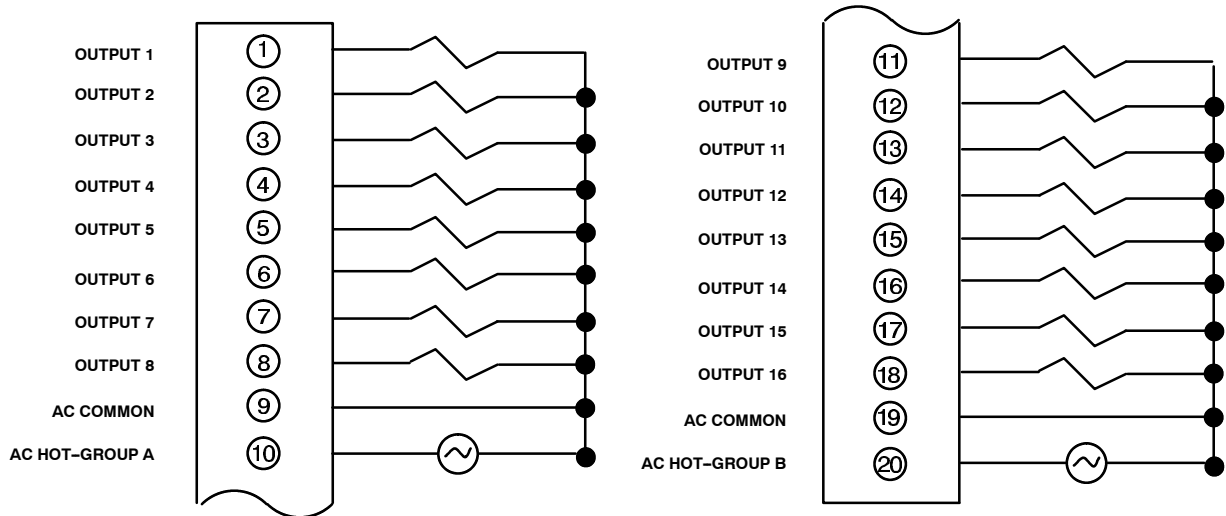


Figure 21 B808-016 Terminal Numbering and Output Connections

10.3 Specifications

B808-016 Specifications		
Description		230 Vac output
Number of Points		16
Operating Voltage		180 ... 260 Vac continuous / 47 ... 63 Hz
Number of Groups		2
Outputs/group		8
ON Current	Maximum/point	2 A continuous
	Surge Current	50 A (max) 1 cycle
	Maximum/group	6 A
	Maximum/module	12 A
ON Voltage Drop		1.3 V @ 2.0A
Maximum OFF	Leakage Current	8 mA @ 230 Vac
Maximum Response Time	OFF → ON	8.3 ms @ 60 Hz
	ON → OFF	8.3 ms @ 60 Hz
Applied dv/dt		100 V/μs
Power Required	+5 V	76 mA
	+4.3 V	480 mA
	-5 V	0 mA
Terminal Connector		AS-8534-000
Fusing		1 / group, Type 3 AB, 8 A (normal blow)

Chapter 11

B809-016 230 Vac Input

- Overview
- Field Connections
- Specifications

11.1 Overview

The B809-016 230 Vac (16 point) Input Module senses and converts switched input signals into logic voltage levels used by the PLC. The module allows for up to 16 inputs in two groups of eight. These inputs can be received from push buttons, limit and proximity switches, as well as other 230 Vac sources.

11.1.1 Simplified Schematic

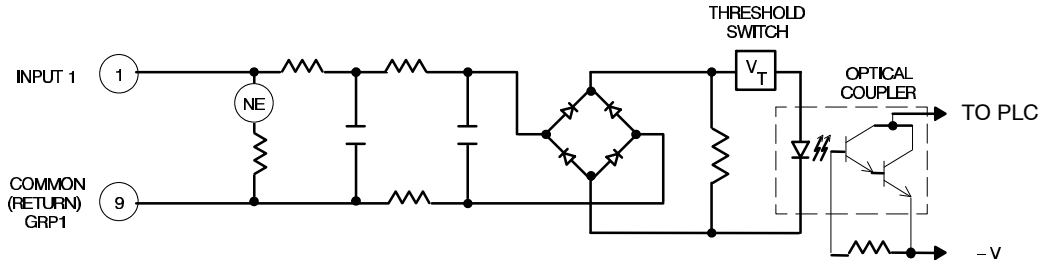


Figure 22 B809-016 Simplified Schematic

11.2 Field Connections

User connections are made to a standard screw terminal strip and the rigid wiring system permits module insertion or removal without disturbing the wiring.

11.2.1 Input Connections

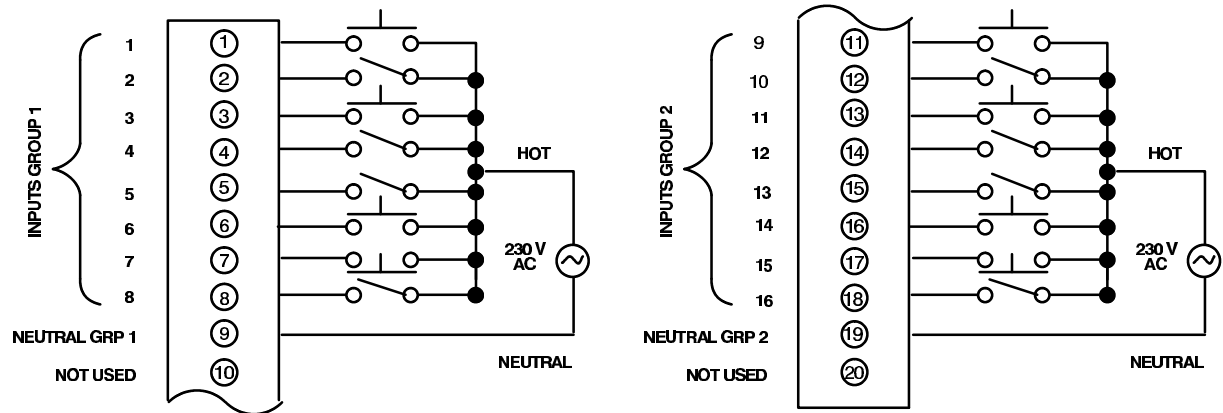


Figure 23 B809-016 Terminal Numbering and Input Connections

11.3 Specifications

B809-016 Specifications		
Description		230 Vac input
Number of Points		16
Operating Voltage		160 ... 260 Vac / 47 ... 63 Hz
Number of Groups		2
Outputs / Group		8
Maximum Input Voltage	Continuous	260 Vac 300 Vac for 10 s
	Surge	400 Vac for 1 cycle
ON Conditions		160 ... 260 Vac (Source Impedance =1 k Ω)
ON Current		8.5 mA (typical) @ 230 Vac
OFF Conditions		0 ... 90 Vac (Source Impedance =0 Ω)
Peak inrush for 260VRMS (Rs=0) applied @ peak		1.7 A max
Maximum Response Time	OFF \rightarrow ON	5 ms (3 ms typical)
	ON \rightarrow OFF	18 ms (12 ms typical)
Power Required	+5 V	42 mA
	+4.3 V	1 mA
	-5 V	15 mA
Dimensions	Space Required	1 slot
	Weight	2.38 lbs (1.08 kg)
Terminal Connector		AS-8534-000



Note: The B809-016 input module is electrically compatible with the B808-016 output module.

Chapter 12

B810-008 115 Vac Isolated Output

- Overview
- Field Connections
- Specifications

12.1 Overview

The B810-008 115 Vac (eight-point) Output Module converts logic signals used within the PLC into eight independent 115 Vac outputs. Each output is capable of driving a relay, pilot lamp, motor starter, solenoid, or any other load up to 2.0 A. The B808 is capable of 6 A/group of eight and handling 12 A/module. The module uses eight triac switches to control loads connected to an external power source. These switches are designed to withstand the high surge currents typical of industrial loads.

12.1.1 Simplified Schematic

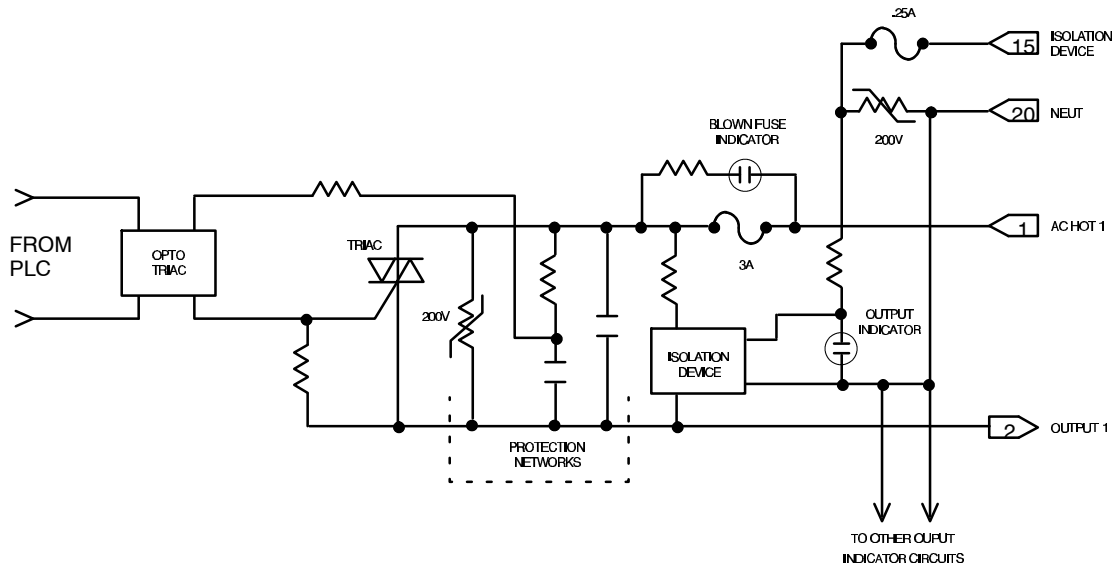


Figure 24 B810-008 Simplified Schematic

Zero-cross threshold switching is incorporated into each output circuit. Upon controller command, outputs switch ON at the first line voltage zero-crossing, and switch OFF at the first load current zero-crossing.

Output status indicators are provided for each output circuit. These neon indicators will be ON when a load is connected and the output is ON, or *when there is no connected load*. These indicators are isolated from the triac output and require a separate lamp supply which is fused at 1/4 A. Blown fuse indicators are also provided for each output circuit. These indicators light (ON) when the corresponding fuse has blown.

12.2 Field Connections

User connections are made to a standard screw terminal strip and the rigid wiring system permits module insertion or removal without disturbing the wiring.

12.2.1 Output Connections

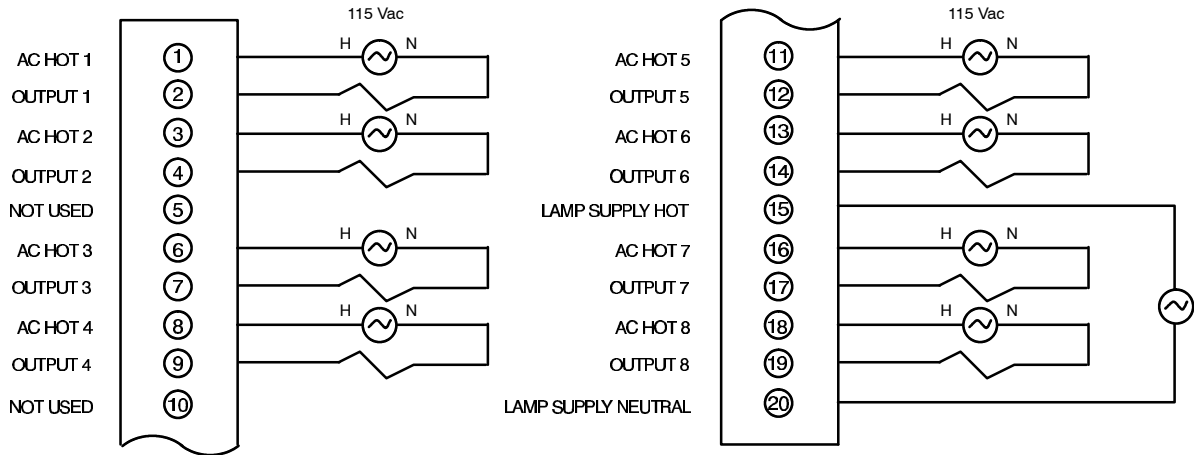


Figure 25 B810-008 Terminal Numbering and Output Connections

12.3 Specifications

B810-008 Specifications		
Description		115 Vac isolated output
Number of Points		8
Operating Voltage		80 ... 130 Vac continuous / 47 ... 63 Hz
Number of Groups		8
Outputs / Group		1
ON Current	Maximum/point	2 A continuous
	Surge Current	50 A (max) 1 cycle
	Maximum/group	2 A
	Maximum/module	12 A
	Minimum Load Current	50 mA
Maximum OFF	Leakage Current	3 mA @ 115 Vac
ON Voltage Drop		1.3V @ 2.0A max
Surge Voltage		150 Vac for 10 s
		200 Vac for 1 cycle
Maximum Response Time	OFF → ON	8.3 ms @ 60 Hz
	ON → OFF	8.3 ms @ 60 Hz
dv/dt		100 V/μs
	Commutating	5 V/μs
Power Required	+5 V	50 mA
	+4.3 V	240 mA
	-5 V	0 mA
Terminal Connector		AS-8534-000
Fusing		One/group, Type 3 AG, 3 A (normal blow)

Chapter 13

B814–108 Relay Output

- Overview
- Configuration
- Field Connections
- Specifications

13.1 Overview

The B814-108 Relay Output Module converts signals from the PLC to eight independent relay outputs. Each output is capable of driving a relay, pilot lamp, motor starter, solenoid, or any other load up to 5.0 A. Each of the eight outputs is electrically isolated from the I/O bus and from the other seven outputs by the relay coil. The module is designed to withstand the high surge currents typical of industrial loads.

The module is user-configurable as to setting for normally-open or normally-closed operation of the relays as described below, and is compatible with other Modicon input modules. Assuming a normally-open configuration, when the relay coil is energized, the relay contacts will conduct current from output A terminal to output B terminal (see Figure 26).

13.1.1 Simplified Schematic

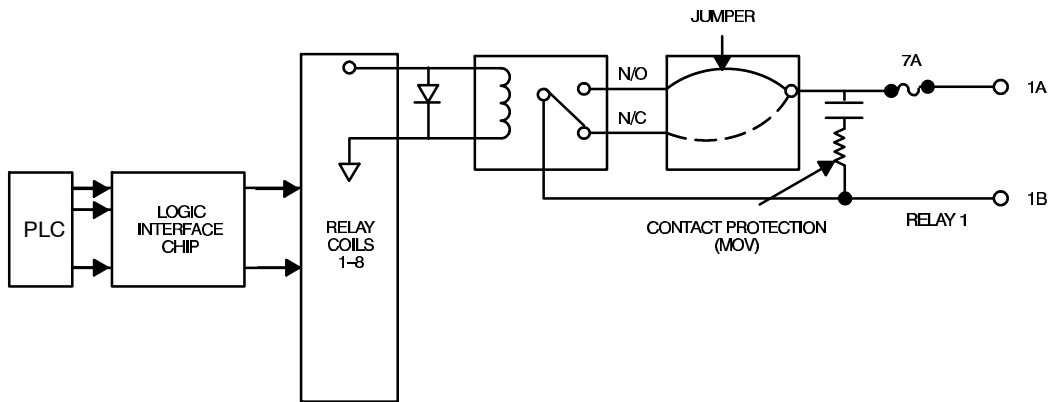


Figure 26 B814-108 Simplified Schematic

13.2 Configuration

The B814 is initially shipped with all eight channels jumpered for the normally- -open configuration. You may optionally wire any of the channels for normally- -closed operation if desired. This is done by transferring a wire jumper from one tab to another on the printed circuit board. Refer to the label on the side of the module.

B814-108 User Configuration Wire/Tab Designations

Channel	N.O.	N.C.
1	W1-E2	W1-E1
2	W2-E4	W2-E3
3	W3-E6	W3-E5
4	W4-E8	W4-E7
5	W5-E10	W5-E9
6	W6-E12	W6-E11
7	W7-E14	W7-E13
8	W8-E16	W8-E15

13.3 Field Connections

User connections are made to a standard screw terminal strip and the rigid wiring system permits module insertion or removal without disturbing the wiring.

13.3.1 Output Connections

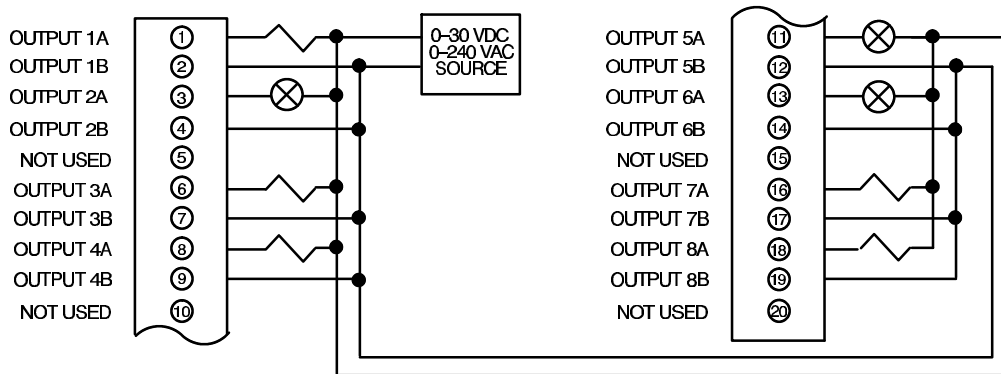


Figure 27 B814-108 Typical Circuit Connections for Power Applications

Note: Since each output is isolated from the remaining outputs, separate power sources can be used for each load. Each output can be wired for current source or current sink operations.

Note: It is possible to have the ACTIVE indicator lit with one or more output channels working improperly.

13.4 Specifications

B814-108 Specifications

Description		Relay (NO/NC) output
Number of Points		8
Operating Voltage		0 ... 30 Vdc 0 ... 240 Vac / 47 ... 63 Hz
Number of Groups		8
Outputs/group		1
ON Current	Maximum/point	5 A @ 30 Vdc/120 Vac 4 A @ 240 Vac
	Maximum/module	40 A @ 30 Vdc/120 Vac
Switching Capability		960 VA maximum, or 150 W dc maximum
Contact Resistance		< 300 mΩ (including fuse, wire, connectors, and contacts)
OFF State	Leakage Current	.5 mA (typical) @ 240 Vac/60 Hz
Relay Life Rating		100,000 operations, and 50,000 operations with inductive loads @ 25°C
Maximum Response Time	OFF → ON	15 ms (6 ms typical)
	ON → OFF	15 ms (6 ms typical)
Power Required	+5 V	107 mA
	+4.3 V	800 mA
	-5 V	0 mA
Terminal Connector		AS-8534-000
Fusing		One / output, 7 A



Note: For 48 Vdc operation, the maximum load is 1 A.

Chapter 14

B817-116 and B817-216

115/230 Vac Isolated Input

- Overview
- Field Connections
- Specifications

14.1 Overview

The B817-116 (115 Vac) and B817-216 (230 Vac) Isolated Input Modules sense OFF and ON input voltages from its field circuitry, converting them to dc logic levels used in the logic program by a Modicon PLC.

The module's 16 input circuits are individually isolated from one another. As each input circuit uses a neutral return wire, none has a definite relationship to system ground unless established in the user's field circuitry. The module's logic circuitry is shielded from radiated signals or interference originating in the field, and its field inputs are optically isolated from the system logic.

14.1.1 Simplified Block Diagram

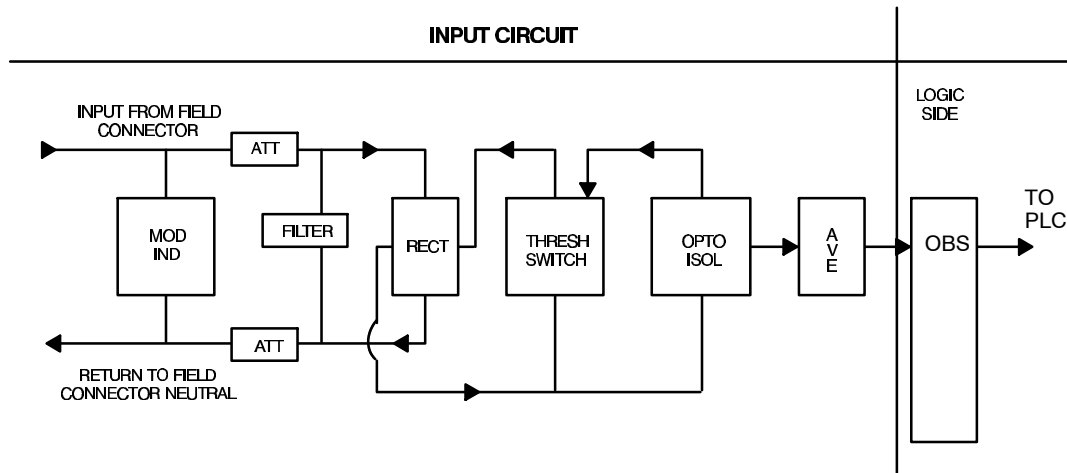


Figure 28 B817-116 and B817-216 Simplified Block Diagram

When the voltage exceeds the threshold circuits voltage requirement, current will flow through the threshold switch and opto-isolator via the precision attenuator and the bridge rectifier. The output pulses coupled through the isolator are averaged so that a steady state dc voltage representation of the inner circuit's ON-state condition is sensed by the Ourbus chip (OBS) on the logic side of the module.

The Ourbus output register is set to represent the field ON state. As long as the field input status remains true, the module will communicate this status each time it is polled by the PLC.

14.2 Field Connections

User connections are made to a standard screw terminal strip and the rigid wiring system permits module insertion or removal without disturbing the wiring.

14.2.1 Terminal Numbering and Input Functions

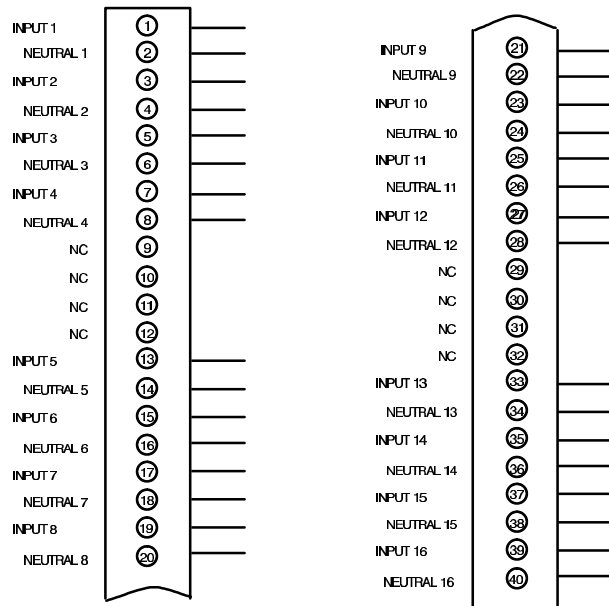


Figure 29 B817-116 and B817-216 Terminal Numbering

Figure 30 and Figure 31 shows typical circuitry connected to the user side of the field connector.

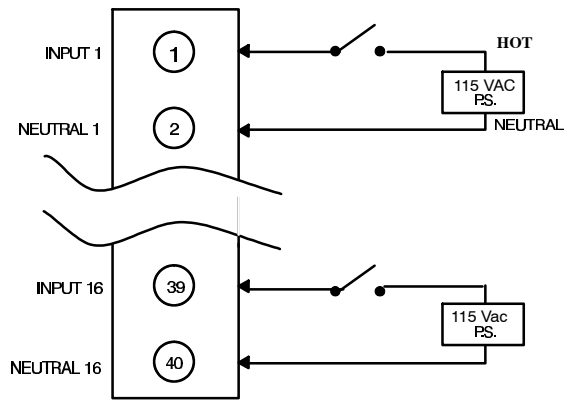


Figure 30 B817-116 Typical Field Circuit Connections

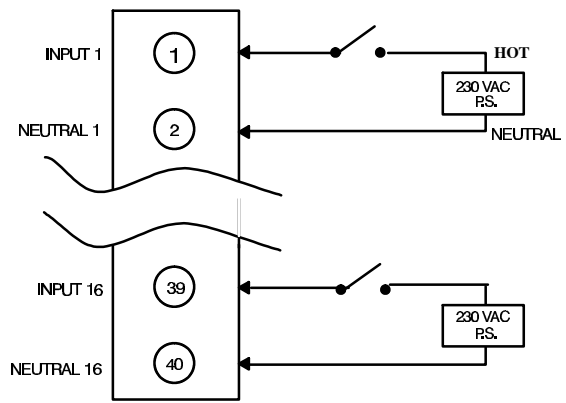


Figure 31 B817-216 Typical Field Circuit Connections

14.3 Specifications

B817-x16 Specifications

Description		115 Vac isolated input (B817-116)
		230 Vac isolated input (B817-216)
Number of Points		16
Number of Groups		16
Inputs/group		1
Maximum Input Voltage	Continuous	130 Vac / 47 ... 63 Hz (B817-116)
		260 Vac / 47 ... 63 Hz (B817-216)
	Surge	200 Vac for 1 cycle (B817-116)
		400 Vac for 1 cycle (B817-216)
ON Conditions	B817-116	>80 Vac (Source Impedance <1 k Ω)
	B817-216	>160 Vac (Source Impedance <1 k Ω)
OFF Conditions	0 ... 35 Vac (Source Impedance = 0 Ω)	
	B817-116	0 ... 130 Vac (Source Impedance >40 k Ω)
	0 ... 90 Vac (Source Impedance = 0 Ω)	
	B817-216	0 ... 260 Vac (Source Impedance >80 k Ω)
Wetting Current	B817-116	0 \pm 4 mA (typical) @115 Vac
	B817-216	8.2 \pm 3 mA (typical) @ 230 Vac
Maximum Response Time (Module)	OFF \rightarrow ON	6 ms
	ON \rightarrow OFF	18 ms
Power Required	+5 V	25 mA
	+4.3 V	2 mA
	-5 V	8 mA
Terminal Connector		AS-8535-000



Note: Scan time may increase response time when seen in user logic.

Chapter 15

B820-008 10 ... 60 Vdc Output (True High)

- Overview
- Field Connections
- Specifications

15.1 Overview

The B820-008 10 ... 60 (eight-point) Output Module (True High) converts logic signals used within the PLC into eight independent 10 ... 60 Vdc outputs. Each output is capable of driving a relay, pilot lamp, motor starter, solenoid, or any other load up to 2.0 A.

The B820 is capable of handling a total continuous current of 12 A. The module uses transistor switches to control loads connected to an external power source. These switches are designed to withstand the high surge currents typical of industrial loads.

15.1.1 Simplified Schematic

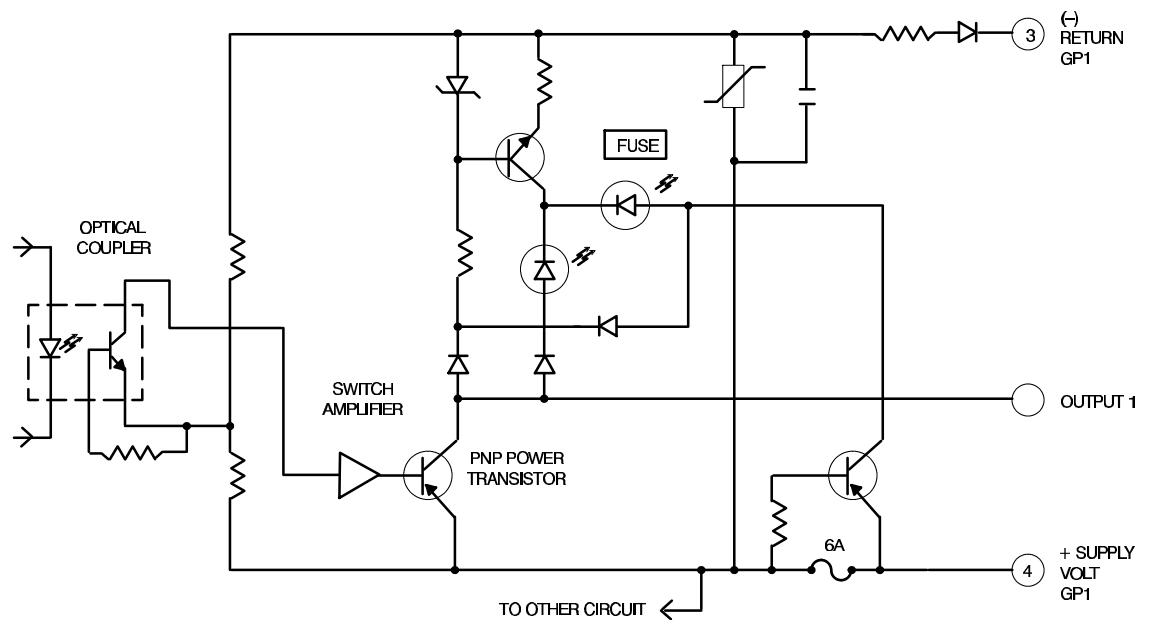


Figure 32 B820-008 Simplified Schematic

The module's eight outputs are separated into four groups of two outputs each.

15.2 Field Connections

User connections are made to a standard screw terminal strip and the rigid wiring system permits module insertion or removal without disturbing the wiring.

15.2.1 Output Connections

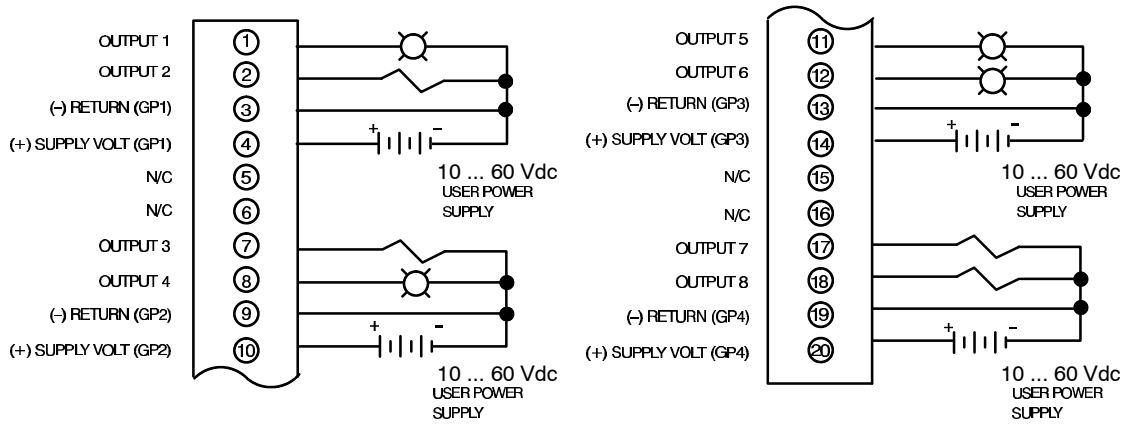


Figure 33 B820-008 Terminal Numbering and Output Connections

15.3 Specifications

B820-008 Specifications		
Description		10 ... 60 Vdc (true high) output
Number of Points		8
Operating Voltage		10 ... 60 Vdc
Number of Groups		4
Outputs / Group		2
ON State Voltage Drop		1.5 Vdc max @ 2A
ON Current	Maximum/point	2 A
	Maximum/group	6 A
	Maximum/module	12.0 A
	Surge Current	10 A/channel max for 10 ms at a repetition rate of 0.05%
Peak Voltage		80 Vdc max for 10 ms at a repetition rate of 0.05%
OFF State	Leakage Current	5 mA (max) @ 60 Vdc
Maximum Response Time	OFF → ON	1 ms (.1 ms typical)
	ON → OFF	1 ms (.1 ms typical)
dv/dt		200 V/μs
Power Required	+5 V	90 mA
	+4.3 V	80 mA
	-5 V	0 mA
External Power Supply		10 ... 60 Vdc, 500 mA max./group (Excluding field load current)
Terminal Connector		AS-8534-000
Fusing		One/group, 3 AG, 6 A (normal blow)

Chapter 16

B821-108 10 ... 60 Vdc Input (True High)

- Overview
- Field Connections
- Specifications

16.2 Field Connections

User connections are made to a standard screw terminal strip and the rigid wiring system permits module insertion or removal without disturbing the wiring.

16.2.1 Input Connections

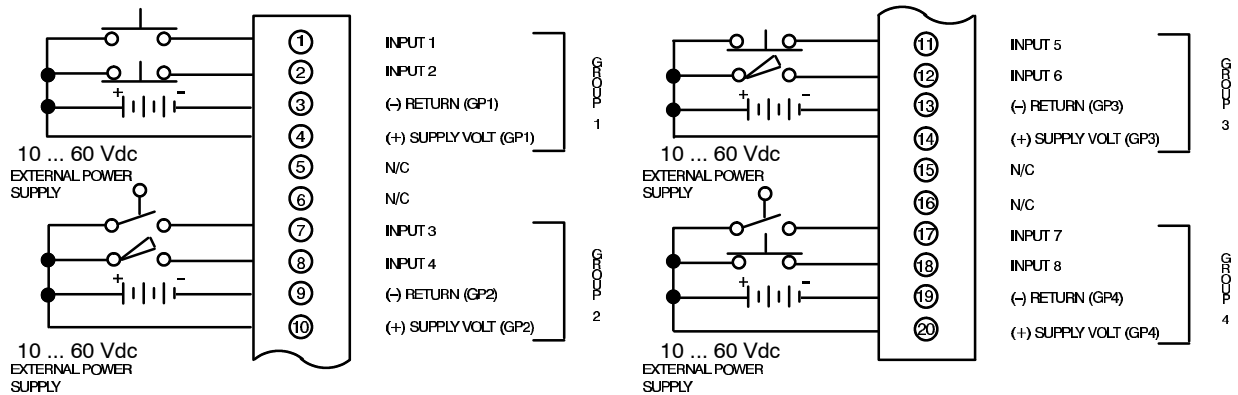


Figure 35 B821-108 Terminal Numbering and Input Connections

16.3 Specifications

B821-108 Specifications

Description		10 ... 60 Vdc input module
Type of Operation		True high
Number of Points		8
Operating Voltage		10 ... 60 Vdc
Number of Groups		4
Inputs/group		2
ON Level	Input Voltage	If the applied input voltage is $\geq 70\%$ of the external power supply, the input to the controller is guaranteed to be in an ON logic state. However, to achieve satisfactory margin, the input voltage should be 75% of the supply voltage. Once the input to the controller is in the ON state, it remains ON as long as the input voltage is $\geq 60\%$ of the power voltage.



Note When designing or selecting a drive circuit for the B821, take into consideration the values listed for input currents that follow.

Inputs Current	Supply Volt (Vdc)	Input Volt Vdc)	Max Input Current (mA)
	10	10	10
	24	24	15
	48	48	25
	60	60	32
OFF Level	Input Voltage	If the applied input voltage is $\leq 40\%$ of the supply voltage, the input to the controller is guaranteed to be in an OFF logic state. However, to achieve satisfactory margin, the input voltage should be $\leq 25\%$ of the supply voltage.	



Note When designing or selecting a drive circuit for the B821, take into consideration the values listed for source resistance that follow.

Source Resistance	Supply Volt (Vdc)	Input Volt (Vdc)	Max Source Resistance (Ω)
	10	10	200
	60	60	500

Maximum Input Voltage	Continuous	10 ... 60 Vdc
Maximum Response Time	OFF → ON	2.5 ms min, 11 ms max
	ON → OFF	2.5 ms min, 11 ms max
Power Required	+5 V	27 mA
	+4.3 V	1 mA
	-5 V	10 mA
External Supply	10 ... 60 Vdc (Excluding Input Current)	
External Supply Current/group	2 mA (max) @ 10 Vdc	
	5 mA (max) @ 24 Vdc	
	10 mA (max) @ 48 Vdc	
	12 mA (max) @ 60 Vdc	
Terminal Connector	AS-8534-000	

Chapter 17

B824-016 24 Vdc Output (True High)

- Overview
- Field Connections
- Specifications

17.1 Overview

The Modicon B824-016 24 Vdc True High Output Module consists of sixteen independent outputs divided into two groups of eight. The B824 converts signals used within the PLC into 16 independent outputs. Outputs are capable of driving motor starters, relays, and a variety of other loads.

There are 16 transistor switches which are used to control loads connected to external power source. The module's 16 outputs are in two groups, eight outputs per group. Each group is fused to protect the outputs from overload currents and polarity reversal.

17.1.1 Simplified Schematic

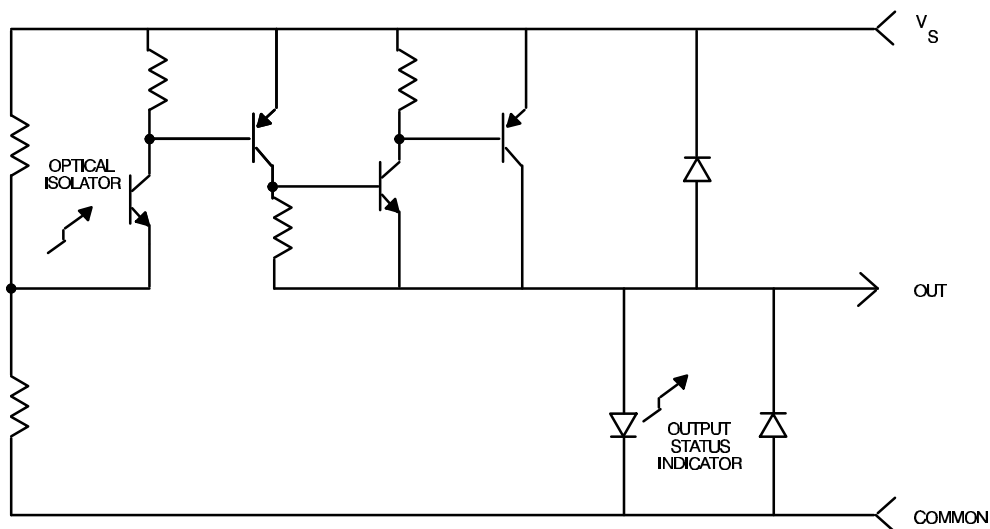


Figure 36 B824-016 Simplified Schematic

17.2 Field Connections

User connections are made to a standard screw terminal strip and the rigid wiring system permits module insertion or removal without disturbing the wiring.

17.2.1 Output Connections

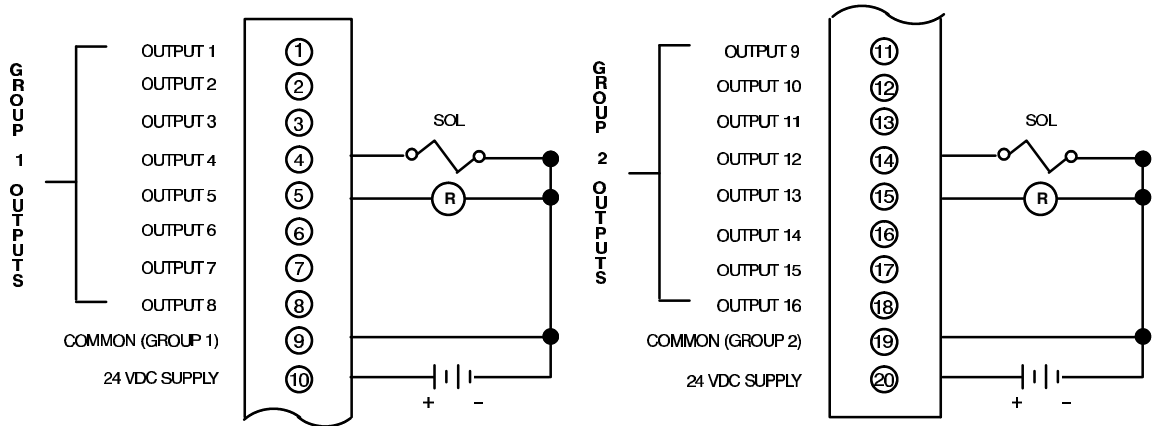


Figure 37 B824-016 Terminal Numbering and Output Connections

17.3 Specifications

B824-016 Specifications		
Description		24 Vdc output
Type of Operation		True high
Number of Points		16
Operating Voltage		20 ... 28 Vdc
Number of Groups		2
Outputs/group		8
On Current	Maximum/point	2 A continuous
	Maximum Surge	5 A for 10 ms
	Maximum/group	6 A
	Maximum/module	12 A
ON State	Voltage Drop	1.8 Vdc @ 2 A
OFF State	Leakage Current	1 mA (max) @ 24 Vdc
Maximum Response Time	OFF → ON	1 ms
	ON → OFF	1 ms
Power Required	+5 V	32 mA
	+4.3 V	260 mA
	-5 V	0 mA
External Power Supply		24Vdc \pm 4 V, 175 mA – Polarity Protected (Excluding field load current)
Terminal Connector		AS-8534-000
Fusing		One / group, 8 A

Chapter 18

B825-016 24 Vdc Input (True High)

- Overview
- Field Connections
- Specifications

18.1 Overview

The Modicon B825-016 24 Vdc True High Input Module consists of a single group of 16 independent inputs. The B825 senses and converts switched input signals into logic voltage levels used by the PLC.

The module provides 16 inputs that share an external power supply. Inputs can be received from push buttons, limit and proximity switches, and other 24 Vdc sources. Input voltages are sensed by comparing the incoming voltage against a fixed threshold. The threshold is a function of the user-supplied field voltage.

18.1.1 Simplified Schematic

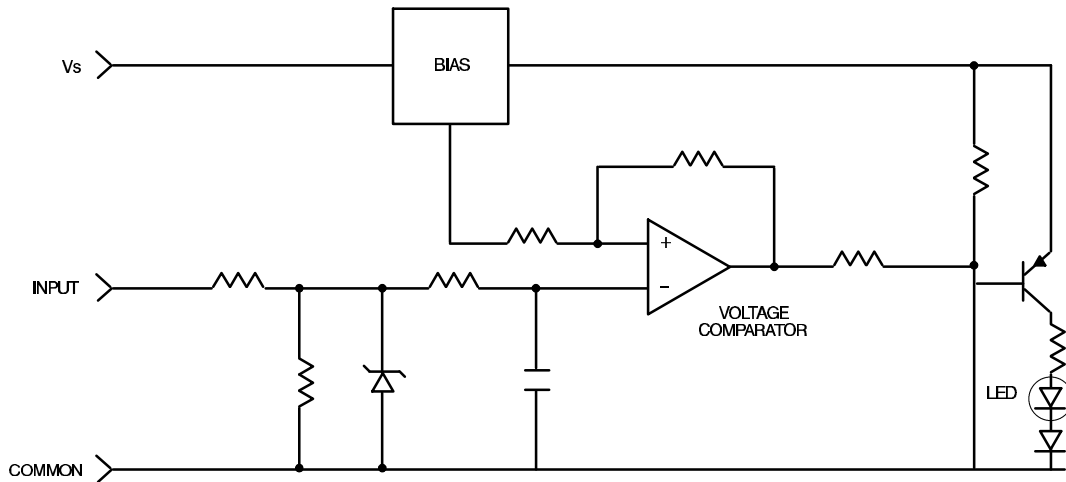


Figure 38 B825-016 Simplified Schematic

18.2 Field Connections

User connections are made to a standard screw terminal strip and the rigid wiring system permits module insertion or removal without disturbing the wiring.

18.2.1 Input Connections

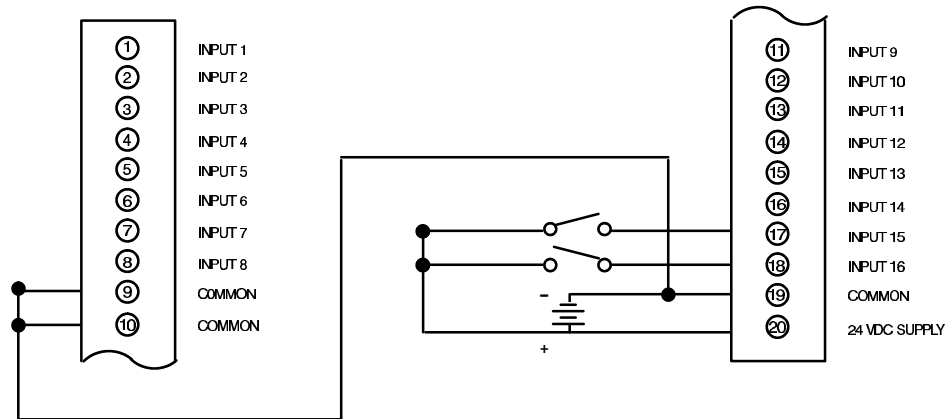


Figure 39 B825-016 Terminal Numbering and Input Connections

18.3 Specifications

B825-016 Specifications		
Description		24 Vdc input
Type of Operation		True high
Number of Points		16
Operating Voltage		20 ... 28 Vdc
Number of Groups		1
Inputs/group		16
Maximum Input Voltage	Continu- ous	30 Vdc
	Surge	500 Vdc for 3 ms
ON Conditions		≥ 21 Vdc or $.75$ of V_s , whichever is less. 1,000 Ω max resistance to common. Input indicator ON.
OFF Conditions		≤ 5 Vdc or $.25$ of V_s , whichever is greater. 25,000 Ω resistance to common. Input indicator OFF.
ON Current		6 mA (typical) @ 24 Vdc
Maximum Response Time	OFF \rightarrow O N	11 ms (2.5 ms typical)
	ON \rightarrow OF F	11 ms (2.5 ms typical)
Power Required	+5 V	27 mA
	+4.3 V	1.2 mA
	-5 V	15 mA
External Power Supply		24Vdc ± 4 V@ 200 mA max (V_s)
Terminal Connector		AS-8534-000

Chapter 19

B826-032 24 Vdc Output (True High)

- Overview
- Field Connections
- Specifications

19.1 Overview

The Modicon B826-032 24 Vdc True High Output Module consists of a single group of 32 independent outputs. The B826 converts logic signals used within the PLC into 32 independent 24 Vdc outputs. Outputs are capable of driving relays, pilot lamps, and other loads rated at $\frac{1}{4}$ A. The outputs share an external supply voltage and are protected against overload currents by a single fuse.

19.1.1 Simplified Schematic

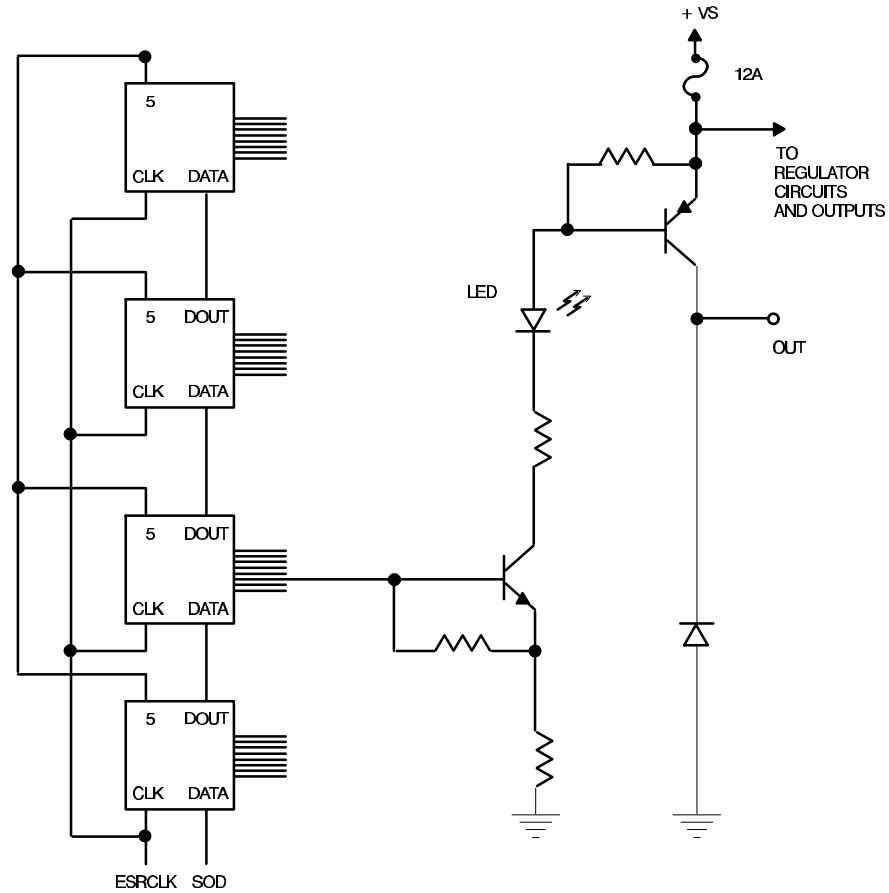


Figure 40 B826-032 Simplified Schematic



Note: Due to its high density and compact design, the module is specifically designed for use in applications such as driving individual pilot lamps, LED displays, or other *noncritical loads*.

19.2 Field Connections

User connections are made to a standard screw terminal strip and the rigid wiring system permits module insertion or removal without disturbing the wiring.

19.2.1 Output Connections

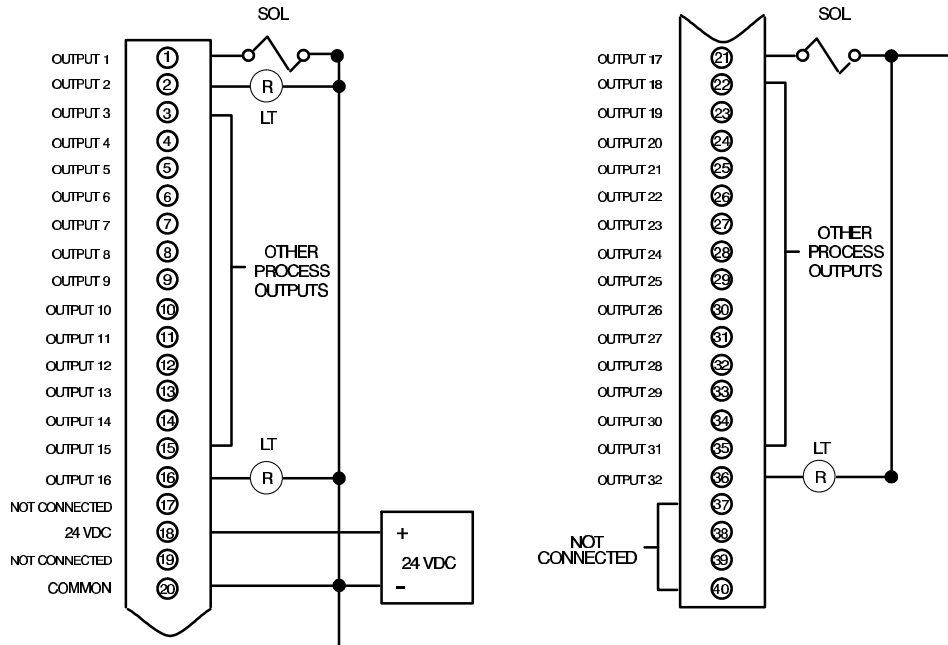


Figure 41 B826-032 Terminal Numbering and Output Connections



Note: If any loads are polarity sensitive, their negative (-) terminal must be connected to the common bus.

19.3 Specifications

B826-032 Specifications

Description		24 Vdc output
Type of Operation		True high
Number of Points		32
Operating Voltage		20.4 ... 28.8 Vdc
Number of Groups		1
Outputs/group		32
On Current	Maximum/point	0.25 A
	Maximum/module	8 A
	Maximum/group	8 A
Surge Current		2.5A max for .5 mS
Off State Leakage Current		0.1 mA (typical) @ 24 Vdc
		0.75 mA max @ 28.8 Vdc
Maximum Response Time	OFF → ON	1 ms
	ON → OFF	1 ms
Ripple Voltage		± 1.2V max
Peak Voltage		32V max for 10 mS
On State Voltage Drop		0.7 Vdc max
Power Required	+5 V	90 mA
	+4.3 V	1 mA
	-5 V	0 mA
External Power Supply		24 Vdc, 600 mA max (Excluding field load current) 24 Vdc, 540 mA typical
Terminal Connector		AS-8535-000
Fuse		One/group, 12 A

Chapter 20

B827-032 24 Vdc Input (True High)

- Overview
- Field Connections
- Specifications

20.1 Overview

The Modicon B827-032 24 Vdc True High Input Module consists of a single group of 32 independent inputs. The B827 senses and converts switched input signals into logic voltage levels used by the PLC. Inputs can be received from push buttons, limit and proximity switches, and other 24 Vdc sources.

The B827 provides 32 inputs that share an external supply voltage. Input voltages are sensed by comparing the incoming voltage against a fixed threshold. The threshold is a function of the user-supplied field voltage.

20.1.1 Simplified Schematic

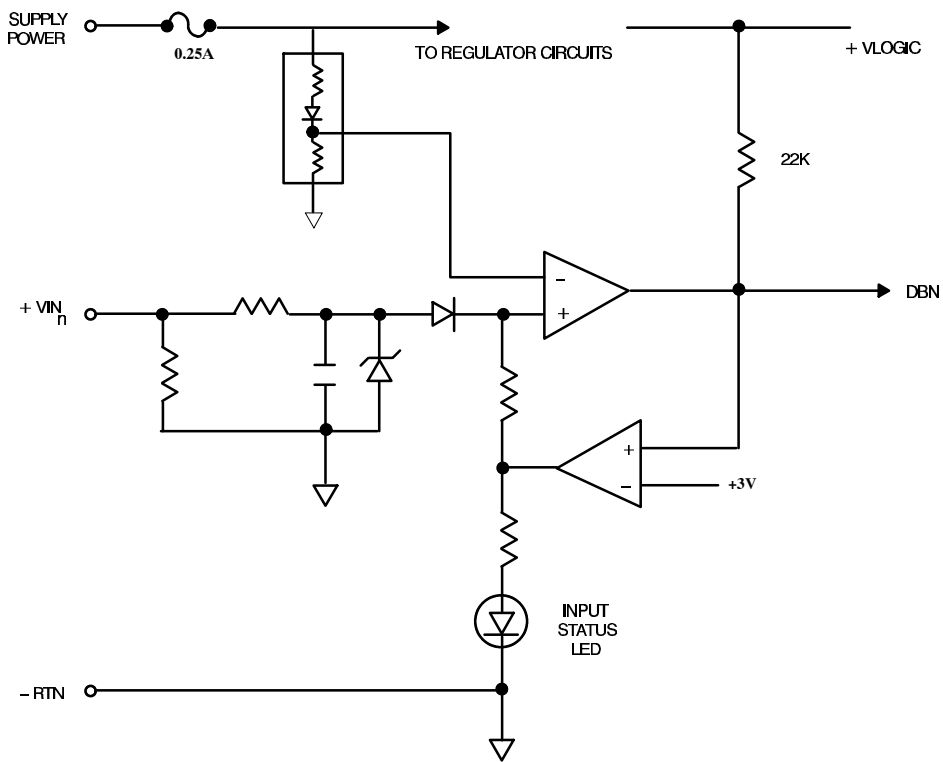


Figure 42 B827-032 Simplified Schematic

20.2 Field Connections

User connections are made to a standard screw terminal strip and the rigid wiring system permits module insertion or removal without disturbing the wiring.

20.2.1 Input Connections

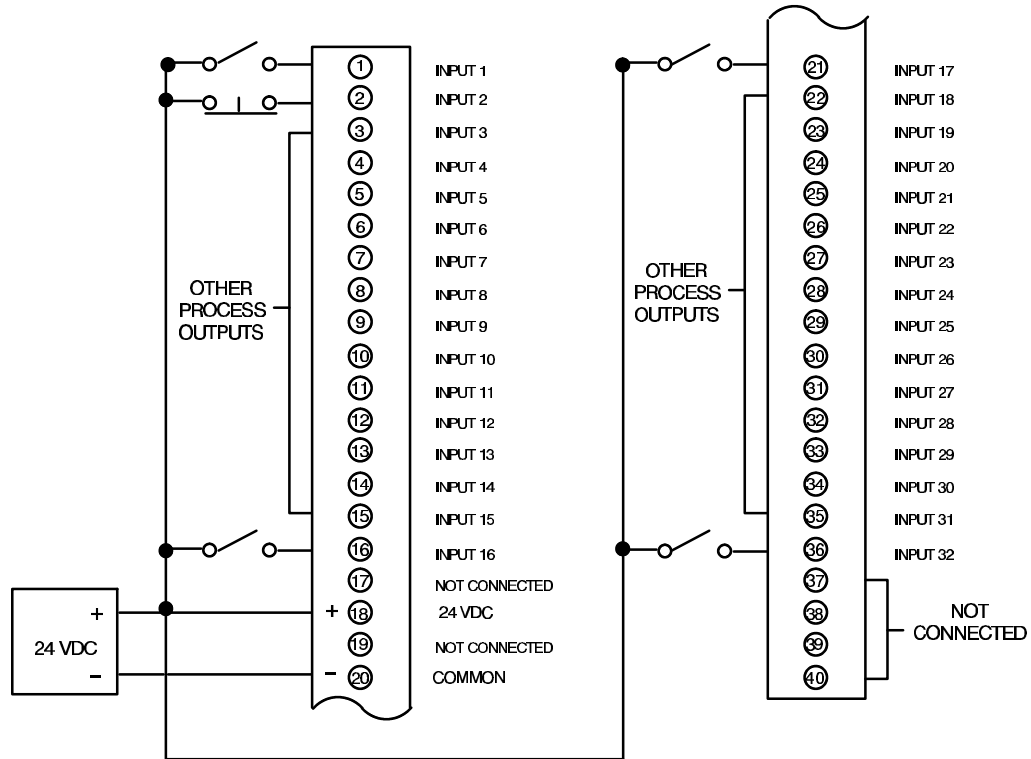


Figure 43 B827-032 Terminal Numbering and Input Connections

20.3 Specifications

B827-032 Specifications		
Description	24 Vdc high density input	
Type of Operation	True high	
Number of Points	32	
Operating Voltage	18 ... 30 Vdc	
Number of Groups	1	
Outputs/group	32	
ON Level Input Voltage	≥ 22.5 Vdc or $.75$ of V_s , whichever is less	
OFF Level Input Voltage	≤ 4.5 Vdc or $.25$ of V_s , whichever is greater	
Input Resistance	On State	8 ... 11 k Ω
	Off State	6 ... 8 k Ω
Maximum Response Time	OFF \rightarrow ON	0.4 ms
	ON \rightarrow OFF	1 ms
Power Required	+5 V	30 mA
	+4.3 V	1 mA
	-5 V	0 mA
External Power Supply	Supply Voltage	18 ... 30 Vdc continuous 40 Vdc peak for 10 ms surge
	Supply Current	60mA max over an 18 ... 30 Vdc range
Terminal Connector	AS-8535-000	
Fuse	0.25 A	

Chapter 21

B828-016 5 V TTL Output

- Overview
- Field Connections
- Specifications

21.1 Overview

The B828-016 5 V TTL Output Module converts logic signals used within the controller into sixteen independent 5 V TTL outputs. These outputs are compatible with TTL and DTL logic as well as other loads such as LED displays. The module uses sixteen transistor switches which are capable of sinking load currents up to 75 mA supplied from an external 5 Vdc power source.

21.1.1 Simplified Schematic

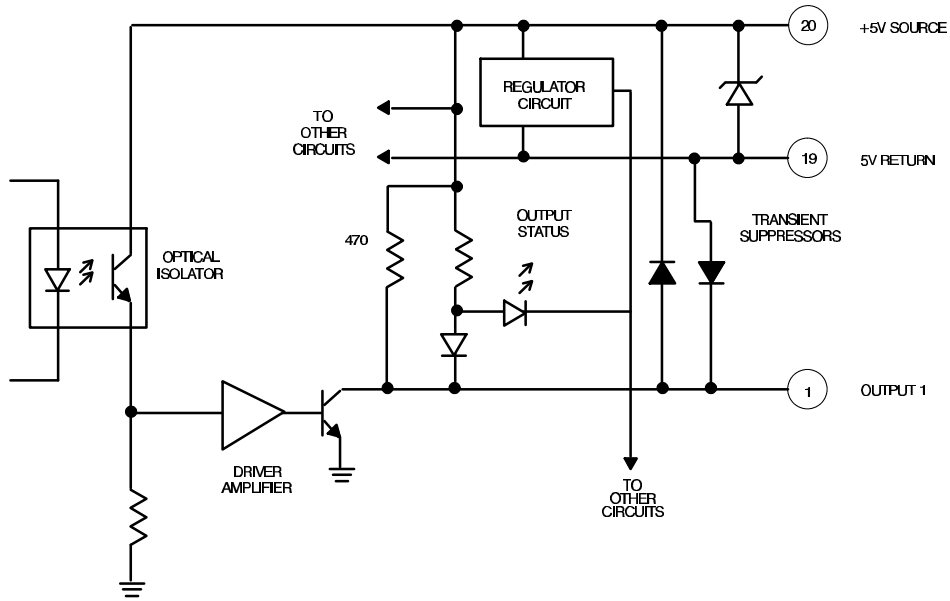


Figure 44 B828-016 Simplified Schematic

21.2 Field Connections

User connections are made to a standard screw terminal strip and the rigid wiring system permits module insertion or removal without disturbing the wiring.

21.2.1 Output Connections

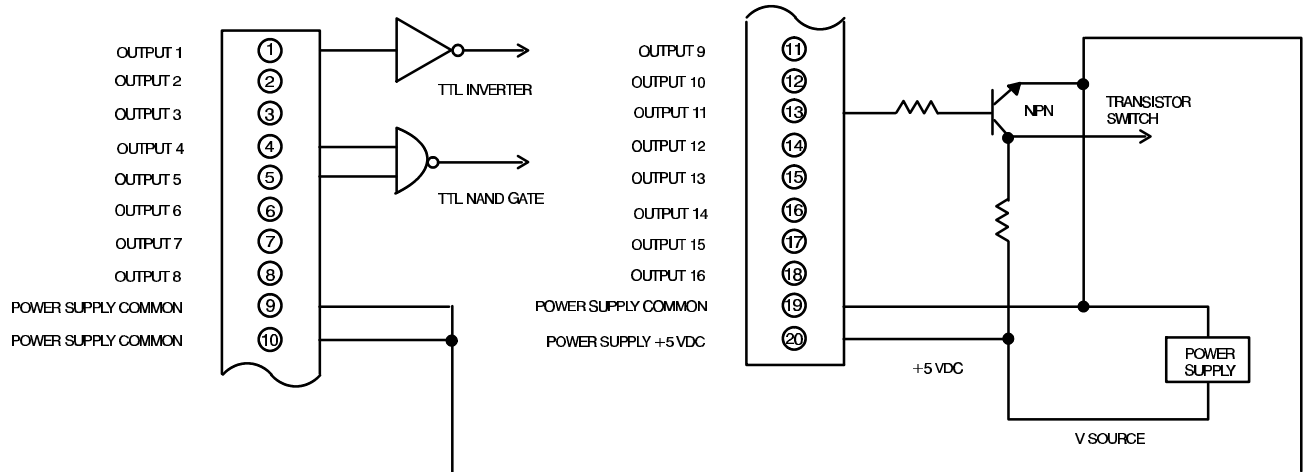


Figure 45 B828-016 Terminal Numbering and Output Connections

21.3 Specifications

B828-016 Specifications		
Description	5 V TTL output	
Number of Points	16	
Operating Voltage	5 V TTL	
Number of Groups	1	
Outputs / Group	16	
ON Level	4.0 Vdc min @ 1mA source, 5 Vdc supply @ 4.75 Vdc	
OFF Level	0.4 Vdc max @ 75 mA rated current: sinking 75 mA max., continuous, 100 mA peak (10 ms, 20% duty cycle)	
Maximum Response Time	OFF → ON	1 ms
	ON → OFF	1 ms
Power Required	+5 V	32 mA
	+4.3 V	220 mA
	-5 V	0 mA
External Power Supply	5.0 ±0.25 Vdc 600 mA max outputs ON	
Terminal Connector	AS-8534-000	
Fusing	One/group, 1.5 A	

Chapter 22

B829-116 5 V TTL Input

- Overview
- Field Connections
- Specifications

22.1 Overview

The B829-116 fast response 5 V TTL Input Module converts signals from 16 independent 5 V logic-compatible inputs into signals used by the PLC. Each input is capable of conditioning signals from TTL devices or DTL devices for use by the PLC.

22.1.1 Simplified Schematic

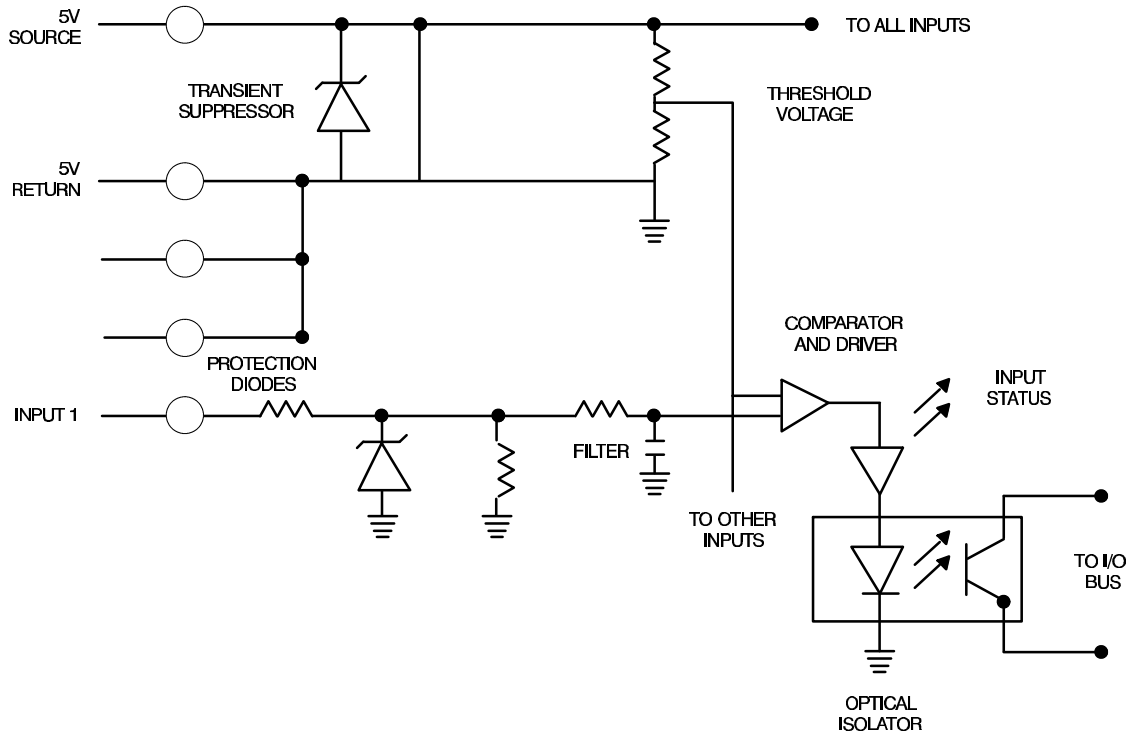


Figure 46 B829-116 Simplified Schematic

22.2 Field Connections

User connections are made to a standard screw terminal strip and the rigid wiring system permits module insertion or removal without disturbing the wiring.

22.2.1 Input Connections

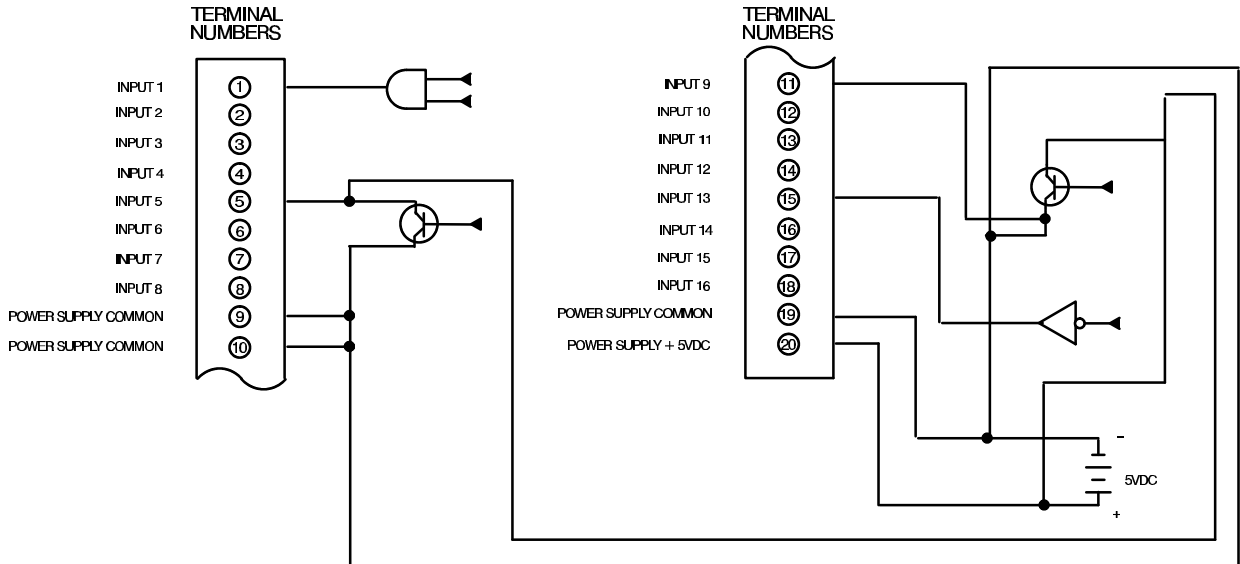


Figure 47 B829-116 Terminal Numbering and Input Connections

22.3 Specifications

B829-116 Specifications		
Description		5 V TTL16-point
Number of Points		16
Operating Voltage		5 V
Number of Groups		1
Outputs / Group		16
Input Ratings	ON Level	$V_{IH} = 2.0 \text{ Vdc}$ (minimum)
		$I_{IL} = 0.1 \text{ mA}$ (max) @ $V_{IH} = 5.5 \text{ Vdc}$
		V (source) = 5.0 Vdc
		V (max input) = 8.0 V
	OFF Level	$V_{IL} = 0.8 \text{ Vdc}$ (maximum)
		$I_{IL} = 1.1 \text{ mA}$ (maximum) @ V (source) = 5.25 Vdc and $V_{IL} = 0.0 \text{ V}$
		V (max negative input) = -2 Vdc
		1 (max negative clamp) = 15 mA
Transient Voltage		100 V for 10 ms
Maximum Response Time	OFF → ON	1 ms
	ON → OFF	1 ms
Power Required	+5 V	21 mA
	+4.3 V	1 mA
	-5 V	0 mA
External Power Supply		5.0 ±0.25 Vdc, 325 mA all inputs ON
Terminal Connector		AS-8534-000

Chapter 23

B832-016 24 Vdc Output (True Low)

- Overview
- Field Connections
- Specifications

23.1 Overview

The Modicon B832-016 24 Vdc Output Module (True Low) consists of a single group of 16 independent outputs. The B832 converts signals used within the PLC into 16 independent 24 Vdc outputs. These outputs are capable of driving indicators, relays, and a variety of other loads. There are 16 transistor switches, which are used to control loads connected to an external power source.

23.1.1 Simplified Schematic

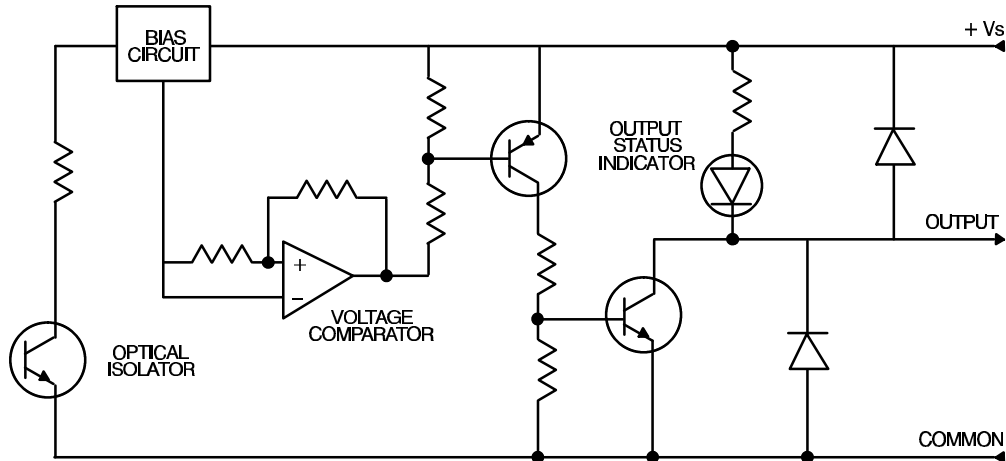


Figure 48 B832-016 Simplified Schematic

23.2 Field Connections

User connections are made to a standard screw terminal strip and the rigid wiring system permits module insertion or removal without disturbing the wiring.

23.2.1 Output Connections

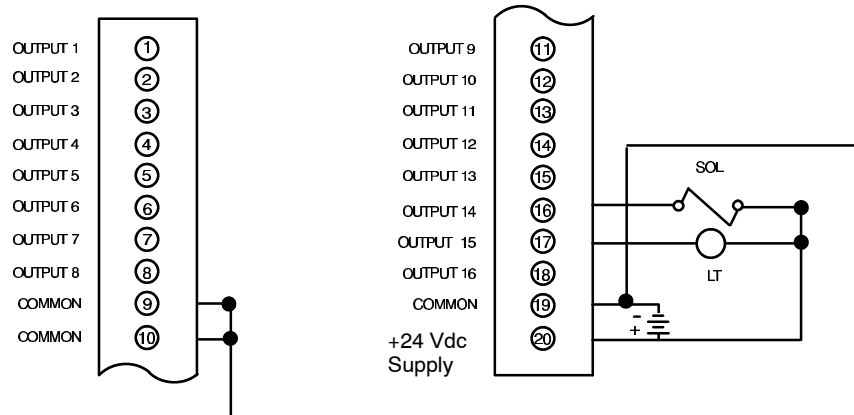


Figure 49 B832-016 Terminal Numbering and Output Connections

23.3 Specifications

B832-016 Specifications		
Description		24 Vdc output
Type of Operation		True low
Number of Points		16
Operating Voltage		20 ... 28 Vdc
Peak Voltage		33 Vdc for 1 s
Number of Groups		2
Outputs/group		8
On Current	Maximum/point	250 mA
	Surge Current	1 A for 10 ms
	Maximum/group	2 A
	Maximum/module	4 A
Off Current		0.5 mA maximum
On Voltage Drop		0.5 Vdc maximum/output @ 250 mA
Maximum Response Time	OFF → ON	1 ms
	ON → OFF	1 ms
Power Required	+5 V	32 mA
	+4.3 V	235 mA
	-5 V	0 mA
External Power Supply		24 Vdc \pm 4 V, 600 mA maximum (excluding field load current)
Terminal Connector		AS-8534-000
Fusing		1/module, 6 A

Chapter 24

B833-016 24 Vdc Input (True Low)

- Overview
- Field Connections
- Specifications

24.1 Overview

The Modicon B833-016 24 Vdc Input Module (True Low) consists of two groups of eight independent inputs. The B833 senses and converts switched input signals into logic voltage levels used by the PLC.

Inputs can be received from push buttons, limit and proximity switches, and other 24 Vdc sources. The module provides 16 inputs that share an external power supply. Input voltages are sensed by comparing the incoming voltage against a fixed threshold.

24.1.1 Simplified Schematic

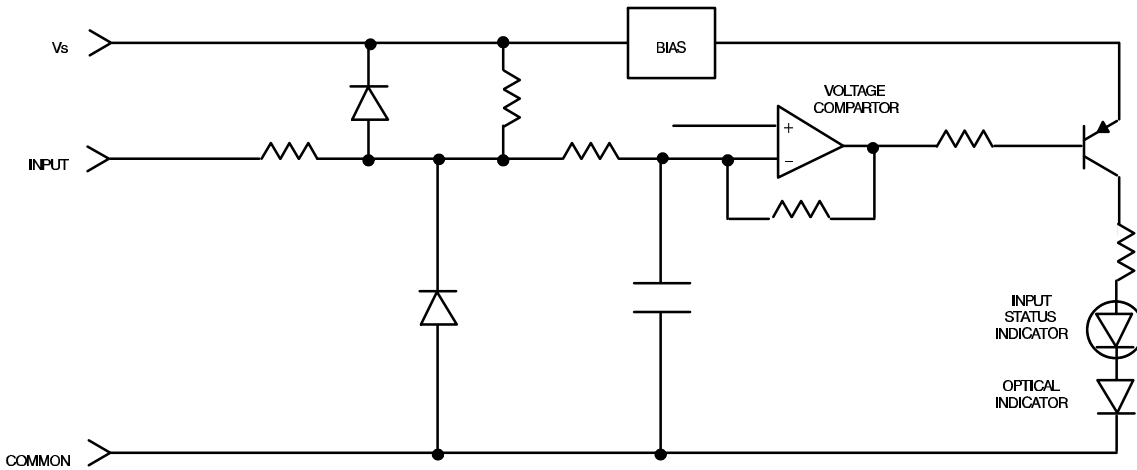


Figure 50 B833-016 Simplified Schematic

24.2 Field Connections

User connections are made to a standard screw terminal strip and the rigid wiring system permits module insertion or removal without disturbing the wiring.

24.2.1 Input Connections

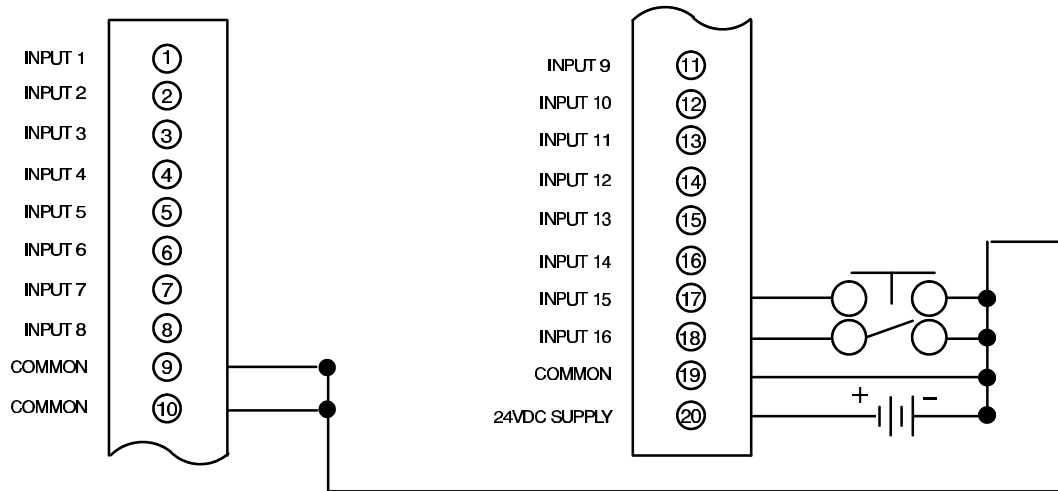


Figure 51 B833-016 Terminal Numbering and Input Connections

24.3 Specifications

B833-016 Specifications		
Description	24 Vdc true low input	
Type of Operation	True low	
Number of Points	16	
Operating Voltage	20 ... 28 Vdc	
Number of Groups	2	
Outputs/group	8	
Maximum Input Voltage	100 Vdc for 3 ms	
ON Conditions	≤ 2.6 Vdc or $.13$ of Vs, whichever is greater. 200Ω max resistance to common. Input indicator ON.	
OFF Conditions	≥ 21 Vdc or $.75$ of Vs, whichever is less. $10,000 \Omega$ min resistance to common. Input indicator OFF.	
Maximum Input Voltage	100 V for 3 mS	
ON Current	6 mA (typical) @ 24 Vdc	
Maximum Response Time	OFF \rightarrow ON	11 ms
	ON \rightarrow OFF	11 ms
Power Required	+5 V	27 mA
	+4.3 V	2 mA
	-5 V	0 mA
External Power Supply	24 Vdc, ± 4 V, 300 mA (Excluding field load current)	
Terminal Connector	AS-8534-000	

Chapter 25

B836-016 12 ... 250 Vdc

Isolated Output

- Overview
- Field Connections
- Specifications

25.1 Overview

The B836-016 12 ... 250 Vdc Isolated Output Module accepts up to 16 signals from a Modicon PLC and converts them to independent outputs. The module's essential function is to switch one or more field circuits OFF and ON as signalled by the PLC.

At any given time, one or more output channel's signals may be in a true high configuration while one or more of the remaining output channel's signals are in a true low configuration. The output signals are capable of driving displays, relays, lamps, or any load connected to a 12 ... 250 Vdc user supplied voltage source. Finally, the module is fused against overload currents and protected from accidental polarity reversal.

Since all of the 16 circuits are the same, describing one circuit's function describes the module's function.

Data commands from the controller are shipped via OURBUS to the OBS communications chip in the B836 module via Modicon's standard data interface. The OBS chip directs the signal to the addressed channel which in turn feeds the transistor driver, couples through the ISO GATE and turns the field effect transistor (FET) switch on. Since the circuit is a completely floating arrangement, it is equally useful in a true high (sourcing) or true low (sinking) configuration.

25.1.1 Simple Block Diagram

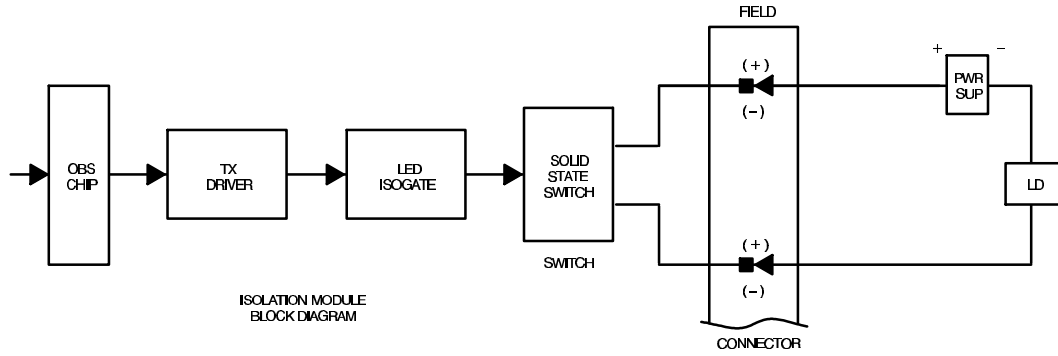


Figure 52 B836-016 Simplified Block Diagram



Caution: Certain large inductive load conditions may require external reverse diodes placed directly across the load for complete circuit protection.

25.2 Field Connections

User connections are made to a standard screw terminal strip and the rigid wiring system permits module insertion or removal without disturbing the wiring.

25.2.1 Terminal Numbering and Output Functions

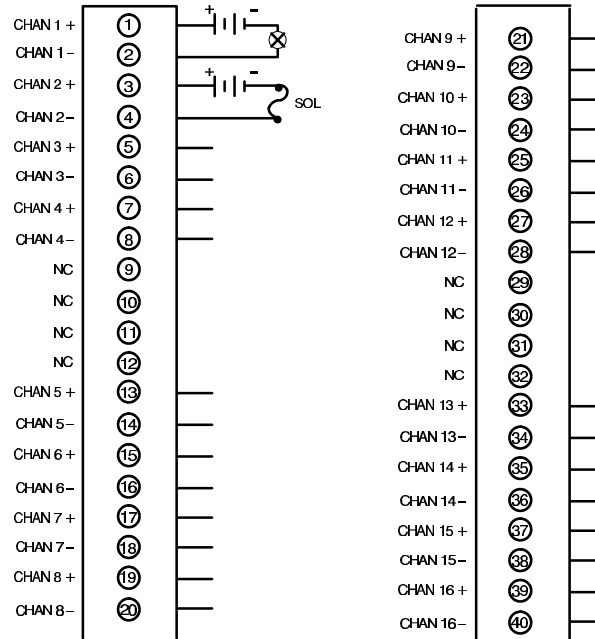


Figure 53 B836-016 Terminal Numbering

25.2.2 Typical User-side Field Connector Circuitry

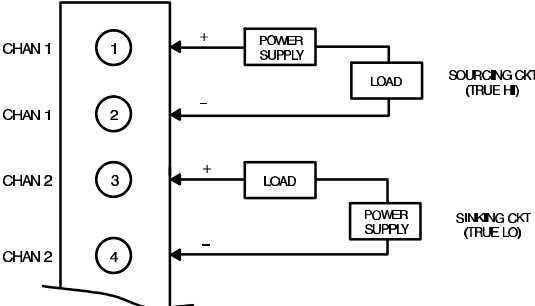


Figure 54 B836-016 Typical Field Circuit Connections

25.3 Specifications

B836-016 Specifications		
Description	12 ... 250 Vdc isolated output	
Number of Points	16	
Operating Voltage	12 ... 250 Vdc	
Number of Groups	16	
Outputs/group	1	
Maximum Load Current	0.75 A (typical) @ 250 Vdc	
	1 A (typical) @ 125 Vdc	
	1.5 A (typical) @ 48 Vdc	
Surge Current	5.0 A max (for 10 mS @ 1 s repetition rate)	
Maximum OFF Leakage Current	1 mA	
Maximum Load Current	5 mA	
ON State Voltage Drop	3.0V max @ 1.50 A	
Maximum Output Current	8.0 A dc total switched current (all channels cumulative)	
Minimum Output Current	15.0 mA dc (lower current does not guarantee indicator operation)	
Maximum Response Time	OFF → ON	1 ms
	ON → OFF	5 ms
Power Required	+5 V	50 mA
	+4.3 V	603 mA
	-5 V	0 mA
Terminal Connector	AS-8535-000	
Fusing	1/group, 4 A	

Chapter 26

B837-016 24 V ac/dc Input

- Overview
- Field Connections
- Specifications

26.1 Overview

The B837-016 24 Vac/Vdc True High input module senses OFF and ON input signals from its field circuitry and converts them to logic levels used by a Modicon PLC. The module's 16 inputs are separated into two groups of eight channels, each group being totally isolated from the other.

Although both groups use common return wires, none has a definite relationship to system ground unless established in the user's field circuitry. Since both groups nominally employ independent power return sources, both ac and dc powered field circuits may input to the module at the same time.

26.1.1 Simple Block Diagram

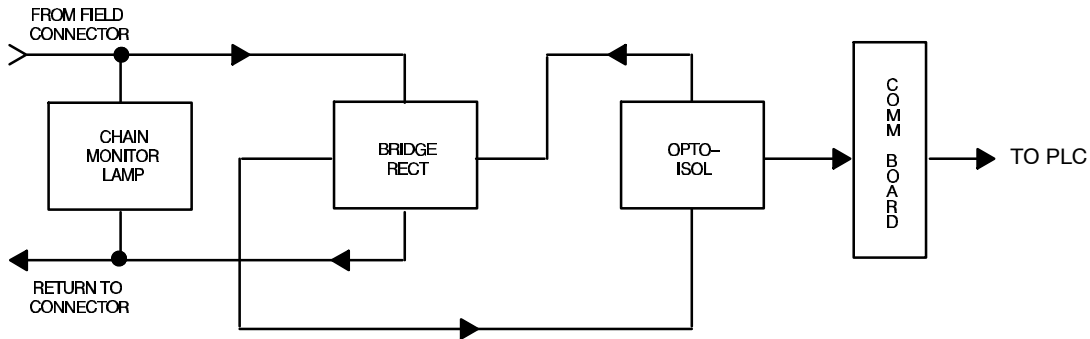


Figure 55 B837-016 Simplified Block Diagram

When the user's ac/dc powered field circuit goes ON -- as the result of a limit switch for example -- it presents the field power voltage at the modules appropriate input channel. When the input voltage meets or exceeds the module's *guaranteed* ON threshold, the resulting voltage turns the channel monitor lamp ON, current flows through the bridge rectifier and subsequently the opto-isolator (OPTO-ISOL) circuit.

Given a nominal 24 V field power supply and 1000 Ω maximum input source impedance, the module's channel monitor lamps will indicate ON and OFF when voltages are 20.4 Vac/19.2 Vdc for the high level ON; and 6 Vac/10 Vdc for the low level OFF respectively. The optical energy goes to the communications board (COMM BOARD) where the Ourbus output register is set to represent the field circuit's ON state. As long as the field input status remains true, the module will communicate this status each time it is polled by the controller.



Note: Reversal of external signal polarity will not cause channel circuit damage as circuit design is indifferent to accidental polarity reversal.

26.2 Field Connections

User connections are made to a standard screw terminal strip and the rigid wiring system permits module insertion or removal without disturbing the wiring.

Terminal numbering and their corresponding input functions are presented below in Figure 56.

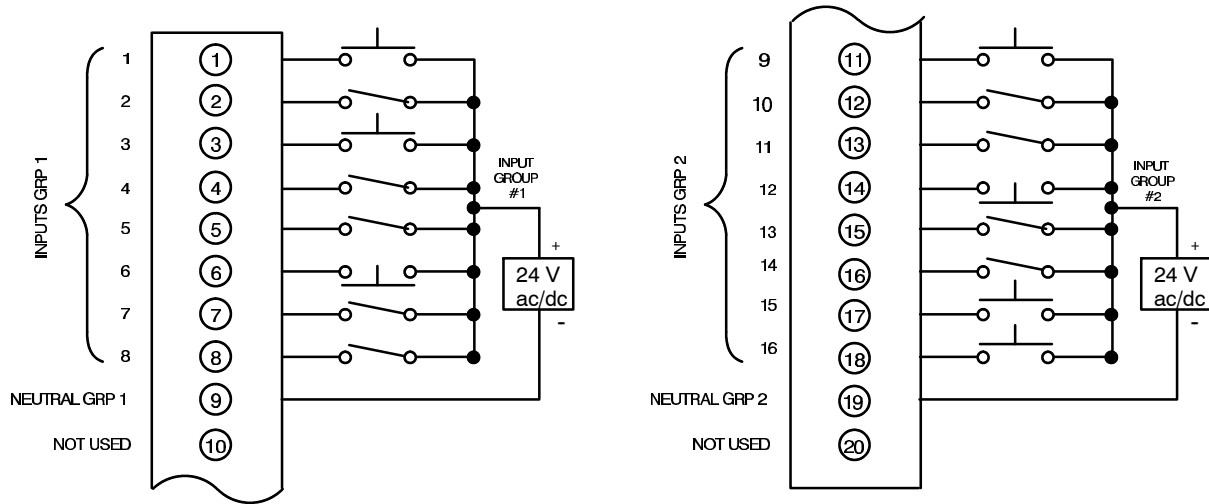


Figure 56 B837-016 Terminal Numbering



Note: To use both input groups with a single power supply, jump terminals #9 and #19.

26.3 Specifications

B837-016 Specifications

Description		24 V ac/dc Input
Number of Points		16
Operating Voltage		20.4 ... 27 Vac / 47 ... 63 Hz; 19.2 ... 30 Vdc
Number of Groups		2
Outputs/group		8
Maximum Input Voltage	Continuous	27 Vac / 30 Vdc
	Inrush	32 Vac / 36 Vdc for 10 s
		58 V peak 10 ms
ON Conditions		≥ 20.4 Vac or 19.2 Vdc w/Inp Source Impedance of 1 k maximum input current 10 ± 2 mA
OFF Conditions		< 6 Vac / 10 Vdc < 27 Vac w/Inp Source Impedance ≥ 15 k < 30 Vdc w/Inp Source Impedance ≥ 30 k
Input ON Current		10 mA max, 5 mA min
Maximum Response Time	OFF \rightarrow ON	6 ms
	ON \rightarrow OFF	18 ms
Power Required	+5 V	40 mA
	+4.3 V	1 mA
	-5 V	15 mA
External Power Supply		24 Vac/dc, 300 mA
Terminal Connector		AS-8534-000

Chapter 27

B838-032 24 Vdc Output (True High)

- Overview
- Field Connections
- Specifications

27.1 Overview

The B838-032 24 Vdc True High Output Module consists of a four groups of eight outputs for a total of 32 outputs. The B838 converts logic signals used within the PLC into 32 24 Vdc outputs.

Outputs are capable of driving relays, pilot lamps, and other loads rated at $\frac{1}{4}$ A. Each group of eight share an external supply voltage and is fused at 6.3 A. The outputs are designed to withstand the extreme voltage transients often encountered in an industrial environment.

27.1.1 Simplified Schematic

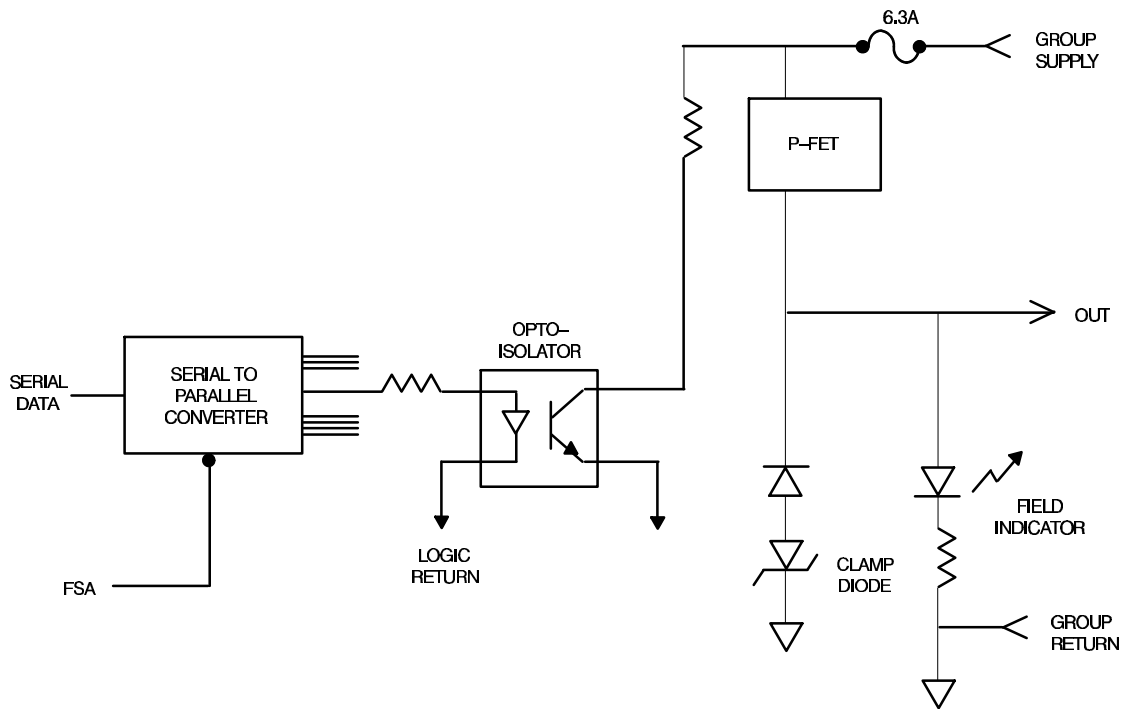


Figure 57 B838-032 Simplified Schematic

27.2 Field Connections

User connections are made to a standard screw terminal strip and the rigid wiring system permits module insertion or removal without disturbing the wiring.

27.2.1 Output Connections

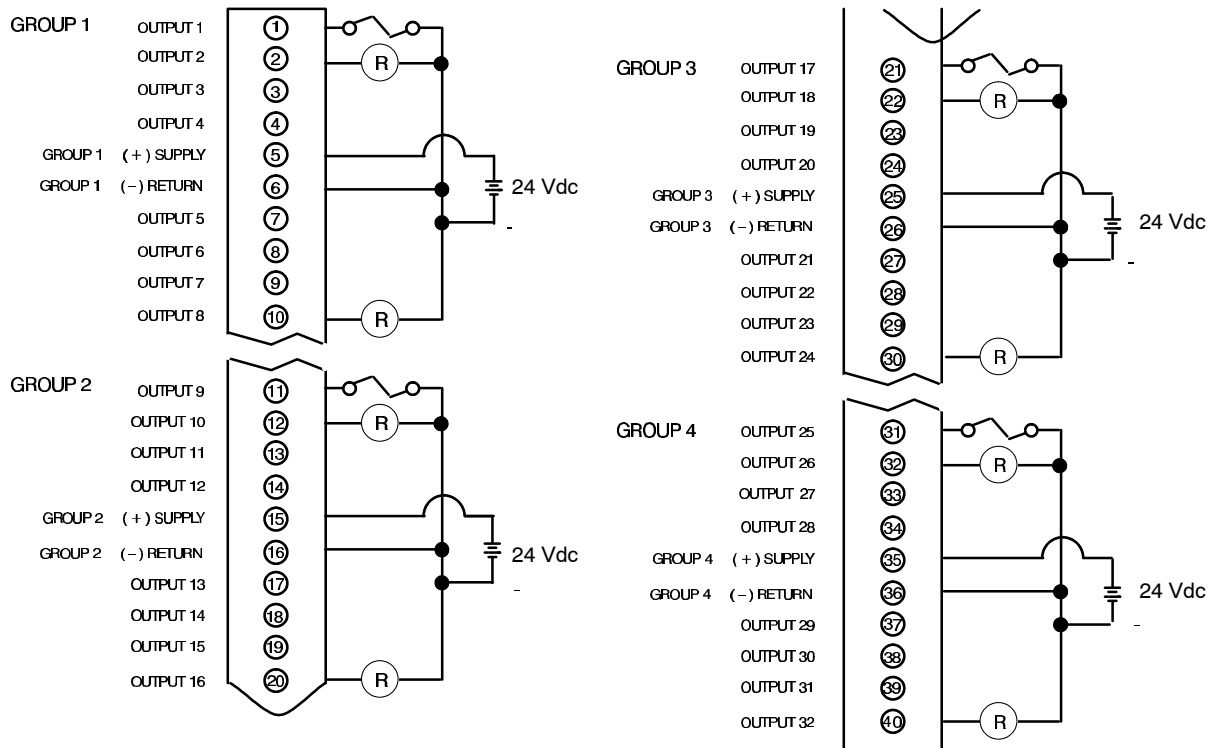


Figure 58 B838-032 Terminal Numbering and Output Connections



Note: If any loads are polarity sensitive, their negative (-) terminal must be connected to the group return terminal.

27.3 Specifications

B838-032 Specifications		
Description		24 Vdc output
Type of Operation		True high
Number of Points		32
Operating Voltage		20 ... 30 Vdc
Number of Groups		4
Outputs/group		8
Load Voltage	Ripple Voltage	4.0 peak to peak @ 10 kHz or less
	Peak Voltage	33 V max
	ON State Voltage Drop	1.0 Vdc @ 1/2 A @ full power
Load Current	Continuous Current	0.50 A max / output, 16 A/module maximum
	Surge Current	The surge current of the B838 is 2.5 A for 0.5 ms, and should not be exceeded. If a short circuit (momentary or sustained) exists, the FET on the output may fail prior to the group fuse blowing. Modicon recommends one of the following options to protect the outputs: 1) Add external fuses to each output (1 ... 1.5 A fast blow), 2) Add external current limiting resistors to protect the output FET
Lamp Loads		up to 5 W
Inductive Load Clamp Voltage		-20 V nominal
Inductive Clamp Current		1/2 A peak, 0.6 Hz up to 3.0 H
Fast Contactor Turn Off		< 60 ms with 3.0 H load
Off State Leakage Current		1 mA max @ 30 Vdc
Maximum Response Time (Resistive Load)	OFF → ON	1 ms
	ON → OFF	1 ms
Power Required	+5 V	160 mA
	+4.3 V	1 mA
	-5 V	0 mA
External Power Supply		24 Vdc ± 4 V, 125 mA (excluding field load current)
Terminal Connector		AS-8535-000

Chapter 28

B840–108 Relay Output

- Overview
- Configuration
- Field Connections
- Specifications

28.1 Overview

The B840-108 Relay Output Module converts signals from the 800 Series Ourbus to eight independent relay outputs. Each output is capable of driving relays, pilot lamps, or other loads up to 2 A.

The module utilizes eight high-reliability mercury-wetted relays to control the loads. Each of the eight outputs is electrically isolated from the I/O bus and from the other seven outputs by the relay coil. These outputs are capable of switching 100 VA maximum instantaneous power associated with ac or dc loads. Such devices may range from relays and pilot lamps to multiplexed low level analog signals.

Each output has an RC snubber to protect the mercury wetted contacts from arcing caused by rapid rate of rise of applied voltage from inductive loads upon instantaneous opening of the contacts. The output signals can withstand severe voltage transients that may be encountered in industrial environments—i.e., the voltage transients will not propagate through the relay to the Ourbus, thus protecting all other controller system components from damage. All output circuits are also fused to protect against overload currents.

28.1.1 Simplified Schematic

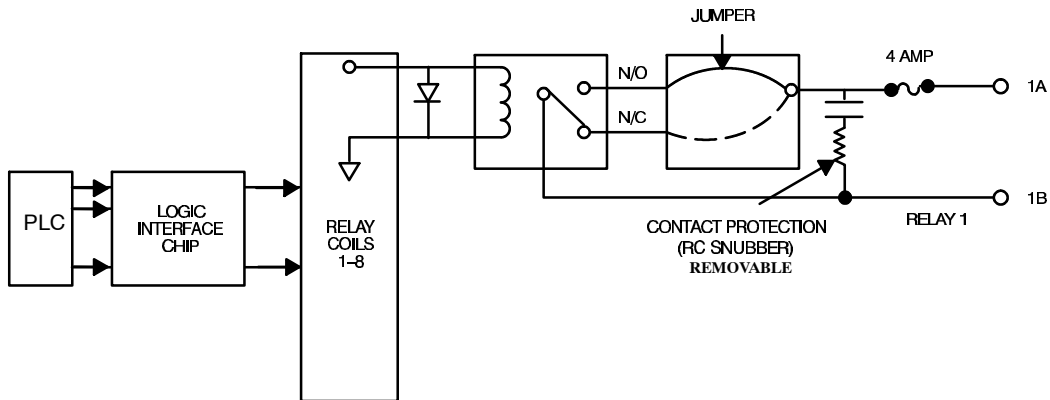


Figure 59 B840-108 Simplified Schematic

The module is user-configurable as to setting up for normally-open or normally-closed operation of the relays as described below. You can also optionally configure the RC snubber circuit to remove it when minimal leakage current applications such as data multiplexing are being used.

The logic interface chip samples the eight logic level signals simultaneously from the PLC on each scan and holds these samples to drive the appropriate reed relay coil. Assuming a normally-open jumpered configuration, when the relay coil is energized, the reed relay contacts conduct current from the output A terminal to the output B terminal.

28.2 Configuration

The B840-108 Relay Module is initially shipped with all 8 channels jumpered for the normally-open configuration with all snubber circuits connected. You may wire any of the channels for either normally-open or normally-closed operation by transferring a wire jumper from one tab to another on the printed circuit board to change from normally-open to normally-closed (see Figure 60).

CHAN.	RELAY		CHAN.	SNUBBER	
	N.O.	N.C.		IN	OUT
1	W1-E2	W1-E1	1	JP1	JP1
2	W2-E4	W2-E3	2	JP2	JP2
3	W3-E6	W3-E5	3	JP3	JP3
4	W4-E8	W4-E7	4	JP4	JP4
5	W5-E10	W5-E9	5	JP5	JP5
6	W6-E12	W6-E11	6	JP6	JP6
7	W7-E14	W7-E13	7	JP7	JP7
8	W8-E16	W8-E15	8	JP8	JP8

Figure 60 B840-108 User Configuration

The snubber circuits are disconnected by removing the (JP1- -JP8) appropriate jumper. Refer to the label on the side of the module.

28.3 Field Connections

User connections are made to a standard screw terminal strip and the rigid wiring system permits module insertion or removal without disturbing the wiring.

28.3.1 Terminal Numbering and Output Functions

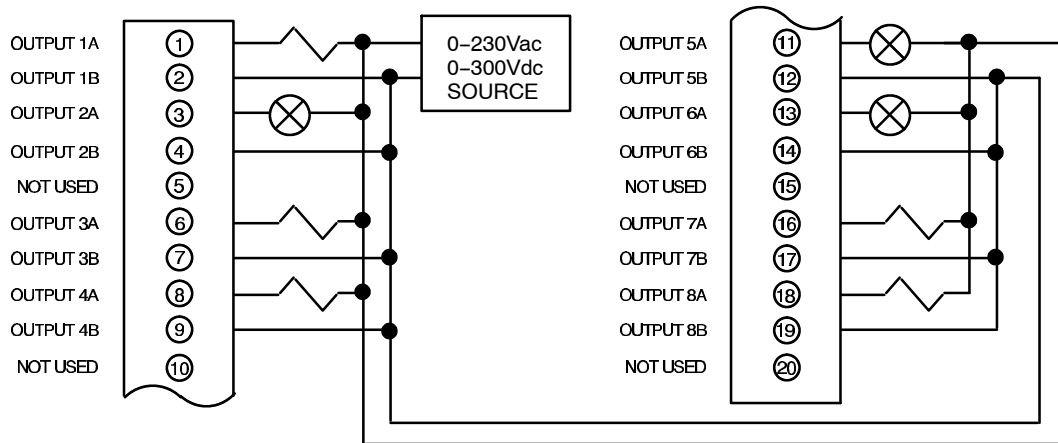


Figure 61 B840-108 Terminal Numbering

Note: Since each output is isolated from the remaining outputs, separate power sources can be used for each load. Each output can be wired for current source or current sink operation.

Note: It is possible to have the ACTIVE indicator lit when one or more output channels are working improperly.

28.4 Specifications

B840-108 Specifications		
Description		Reed Relay (NO/NC) output, isolated circuits, sink or source current
Number of Points		8
Operating Voltage		0 ... 300 Vdc max 0 ... 230 Vac max / 47 ... 63 Hz
Number of Groups		8
Outputs/group		1
Maximum Load Current	Carrying (unswitched)	3 A max
	Switching	2.0 max (0.3 A @ 300 Vdc)
Switching Capability		100 VA max
Contact Resistance		< 150 mΩ (including fuse, pc clad, wire, connectors, and contacts).
Open Circuit Impedance (Snubber Circuits Connected)		20 KΩ ± 5 KΩ capacitive reactance @ 60 Hz
Maximum Response Time	OFF → ON	6 ms (2 ms typical)
	ON → OFF	6 ms (2 ms typical)
Power Required	+5 V	67 mA
	+4.3 V	400 mA
	-5 V	0 mA
Relay Life Rating		1 billion operations @ rated load @ 25°C
Terminal Connector		AS-8534-000
Fusing		1 / group, 4 A

Chapter 29

B849-016 48 V ac/dc Input

- Overview
- Field Connections
- Specifications

29.1 Overview

The B849-016 48 V ac/dc true high input module senses OFF and ON input signals from its field circuitry, converting them to logic levels used by a PLC. The module's 16 input circuits are divided into two groups of eight channels, each group totally isolated from the other.

Although both groups use common return wires, none has a definite relationship to system ground unless established in the user's field circuitry. Since both groups nominally employ independent power return sources, both ac and dc powered field circuits may input to the module at the same time.



Note: Reversal of external signal polarity will not cause channel circuit damage as circuit design is indifferent to accidental polarity reversal.

29.1.1 Simple Block Diagram

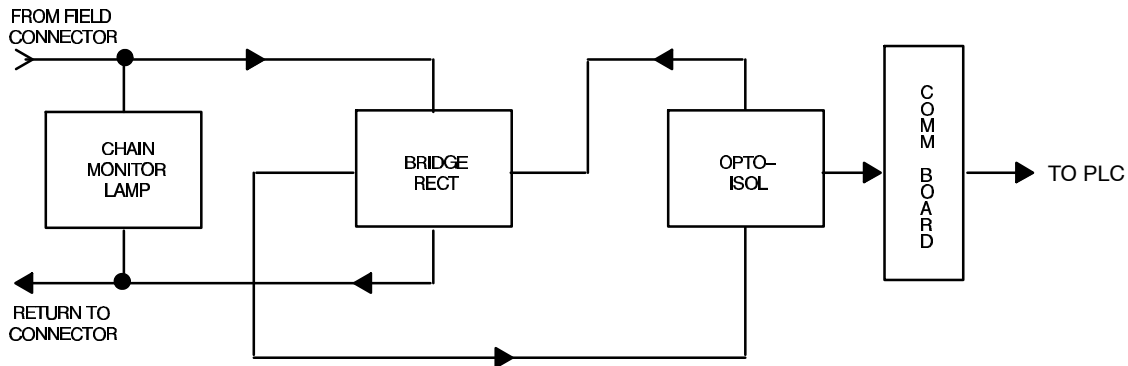


Figure 62 B849-016 Simplified Block Diagram

When the user's ac/dc powered field circuit goes ON — as the result of a limit for example — it presents the field power voltage at the modules appropriate input channel. When the input voltage meets or exceeds the module's *guaranteed* ON threshold, the resulting voltage turns the channel monitor lamp ON, current flows through the bridge rectifier and subsequently the opto- isolator (OPTO- -ISOL) circuit.

Given a nominal 48 V field power supply and 1000 Ω maximum input source impedance, the module's channel monitor lamps will indicate ON and OFF when input voltages are 41 Vac/39 Vdc for the high level ON; and 15 Vac/20 Vdc for the low level OFF respectively.

The optical energy goes to the communications board (COMM BOARD) where the OURBUS output register is set to represent the field circuit's ON state. As long as the field input status remains true, the module will communicate this status each time it is polled by the controller. Total scan time by the controller may be as long as 250 mS. You should not attempt to monitor events with a repetition rate greater than 1 / s without analyzing your system, program, and scan time.



Note: It is possible to have the ACTIVE indicator lit with one or more input channels working improperly.

29.2 Field Connections

User connections are made to a standard screw terminal strip and the rigid wiring system permits module insertion or removal without disturbing the wiring.

29.2.1 Terminal Numbering and Input Functions

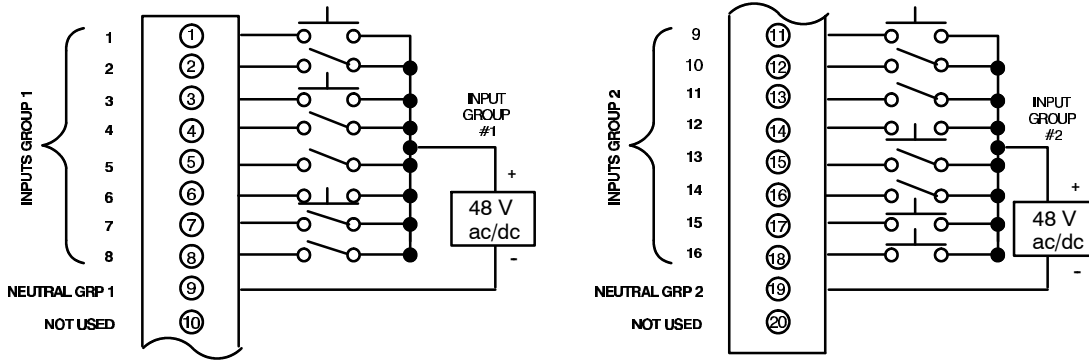


Figure 63 B849-016 Terminal Numbering



Note: To use both input groups with a single power supply, jump terminals #9 and #19.

29.3 Specifications

B849-016 Specifications

Description		48 Vac/dc input
Number of Points		16
Operating Voltage		41 ... 53 Vac / 47 ... 63 Hz 39 ... 58 Vdc
Number of Groups		2
Inputs/group		8
Maximum Input Voltage	Continuous	53 Vac / 58 Vdc 63 Vac / 70 Vdc (for 10 s maximum) 110 Vpk (for 10 ms max)
ON Conditions	ON Conditions	≥ 41 Vac or 39 Vdc w/Inp Source Impedance of 1 K maximum input current 7.5 mA \pm 2 mA
OFF Conditions		< 15 Vac / 20 Vdc < 53 Vac w/Inp Source Impedance \geq 25 k < 58 Vdc w/Inp Source Impedance \geq 50 k
ON Current		8 mA (max), 4.5 mA (minimum)
Maximum Response Time	OFF \rightarrow ON	6 ms
	ON \rightarrow OFF	18 ms
Power Required	+5 V	40 mA
	+4.3 V	1 mA
	-5 V	15 mA
External Power Supply		48 Vac/dc, 300 mA
Terminal Connector		AS-8534-000

Chapter 30

B853-016 115 Vac/125 Vdc Input

- Overview
- Field Connections
- Specifications

30.1 Overview

The B853-016 115 Vac/125 Vdc True High input module senses OFF and ON input signals from its field circuitry, converting them to logic levels used by a Modicon PLC. The module's 16 input circuits are divided into two groups of eight channels, each group being totally isolated from the other.

Although both groups use common return wires, none has a definite relationship to system ground unless established in the user's field circuitry. Since both groups nominally employ independent power return sources, both ac and dc powered field circuits may input to the module at the same time.



Note: Reversal of external signal polarity will not cause channel circuit damage as circuit design is indifferent to accidental polarity reversal.

30.1.1 Simple Block Diagram

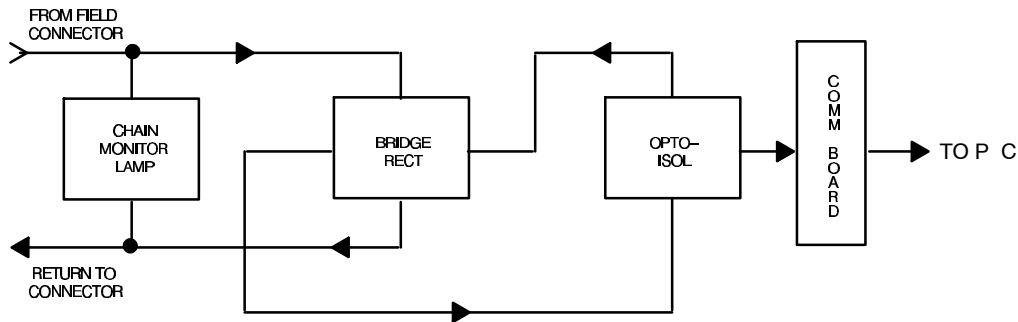


Figure 64 B853-016 Simplified Block Diagram

When the user's ac/dc powered field circuit goes ON—as the result of a limit switch, for example—it presents the field power voltage at the modules appropriate input channel. When the input voltage meets or exceeds the module's *guaranteed* ON threshold, the resulting voltage turns the channel monitor lamp ON, current flows through the bridge rectifier and subsequently the opto- -isolator (OPTO- -ISOL) circuit.

Given a nominal 115 Vac/125 Vdc field power supply and a k Ω maximum input source impedance, the module's channel monitor lamps will indicate ON and OFF when input voltages are 80 Vac/85 Vdc for the high level ON; and 35 Vac/40 Vdc for the low level OFF respectively.

The optical energy goes to the communications board (COMM BOARD) where the OURBUS output register is set to represent the field circuit's ON state. As long as the field input status remains true, the module will communicate this status each time it is polled by the controller. Total scan time may be as long as 250 ms. The user should not attempt to monitor events with a repetition rate greater than 1/s without analyzing his actual system, program, and scan time.



Note: It is possible to have the ACTIVE indicator lit with one or more input channels working improperly.

30.2 Field Connections

User connections are made to a standard screw terminal strip and the rigid wiring system permits module insertion or removal without disturbing the wiring.

30.2.1 Terminal Numbering and Input Functions

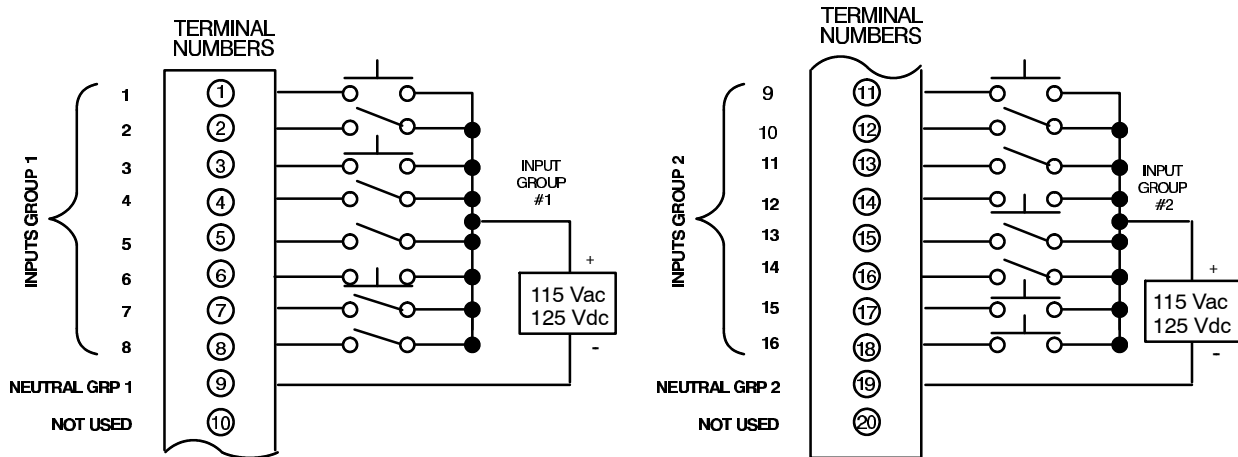


Figure 65 B853-016 Terminal Numbering



Note: To use both input groups with a single power supply, jump terminals #9 and #19.

30.3 Specifications

B853-016 Specifications

Description		115 Vac/125 Vdc input
Number of Points		16
Operating Voltage		80 ... 130 Vac/47 ... 63 Hz; 85 ... 150 Vdc
Number of Groups		2
Inputs/group		8
Maximum Input Voltage	Continuous	130 Vac/150 Vdc
	Surge	150 Vac/180 Vdc for 10 s; 280 V peak for 10 ms
ON Conditions		≥ 80 Vac or 85 Vdc; w/Inp Source Impedance of 1 k maximum input current $9 \text{ mA} \pm 2 \text{ mA}$
OFF Conditions		< 35 Vac/40 Vdc; < 130 Vac w/Inp Source Impedance $\geq 40 \text{ K}$; < 150 Vdc w/Inp Source Impedance $\geq 80 \text{ k}$
ON Current		7 mA (max), 4.5 mA (min)
Maximum Response Time	OFF \rightarrow ON	6 ms
	OFF \rightarrow ON	18 ms
Power Required	+5 V	40 mA
	+4.3 V	1 mA
	-5 V	15 mA
Terminal Connector		AS-8534-000

Chapter 31

B855-016 Intrinsically Safe 12 Vdc Input

- Overview
- Installation
- Specifications

31.1 Overview

The B855-016 Intrinsically Safe (fully isolated) Input Module accepts 16 switch closures or low impedance discrete inputs less than 100 Ω and operates in any 800 Series I/O slot.

The B855 module monitors hazardous area contact closures. The B855 can operate in either continuously or intermittently hazardous environments containing acetylene, hydrogen, ethylene or methane gases; metal, coal or grain dust, and fibers. The B855 module meets Factory Mutual Standard FM 3610 for Intrinsically Safe Connections to Field Side Associated Apparatus.

The B855 module has 16 discrete inputs. The inputs work in the range 11.4 ... 12.6 Vdc, True Low.

31.2 Installation

Procedure How to Install a B855

Installation of your B855 module involves: unpacking the module, wiring the field connector, installing key pins, and mounting the module into the housing.

- Step 1** Remove the module from its shipping box and check for damage. If damaged, contact your salesman or distributor for correct procedure.
- Step 2** Ensure power to housing is OFF.
- Step 3** Designate the housing slot for this module.
- Step 4** Locate required connector assembly (Modicon Part number AS-8535-000). This assembly consists of two 20-pin connectors.
- Step 5** Referring to Figure 66, connect field side wiring to proper pins on the field connector. You must wire the hazardous area connections, pins 9 ... 40, separately from the safe area connections. Wire the dc source to the safe area connections, pins 1 and 2.



Caution: You must use the MD-8741-000 Intrinsic Safe Barrier Strip to meet Factory Mutual's requirements.

- Step 6** Referring to Figure 67, remove the two Phillips head screws from the top 20-pin connector of the AS-8535-000. Take the intrinsically safe barrier strip out of the white bag attached to the handle of the module. Place the intrinsically safe barrier strip on the left side of the top 20-pin connector between pins 3, and 8. Make sure the raised edge of the intrinsically safe barrier strip is facing away from the black wiring duct. Insert this sub-assembly inside the black wire duct while aligning the two screw holes. Insert the two Phillips head screws and tighten them down.



Note: You must use key pins (shipped with this module) to meet Factory Mutual's requirements.

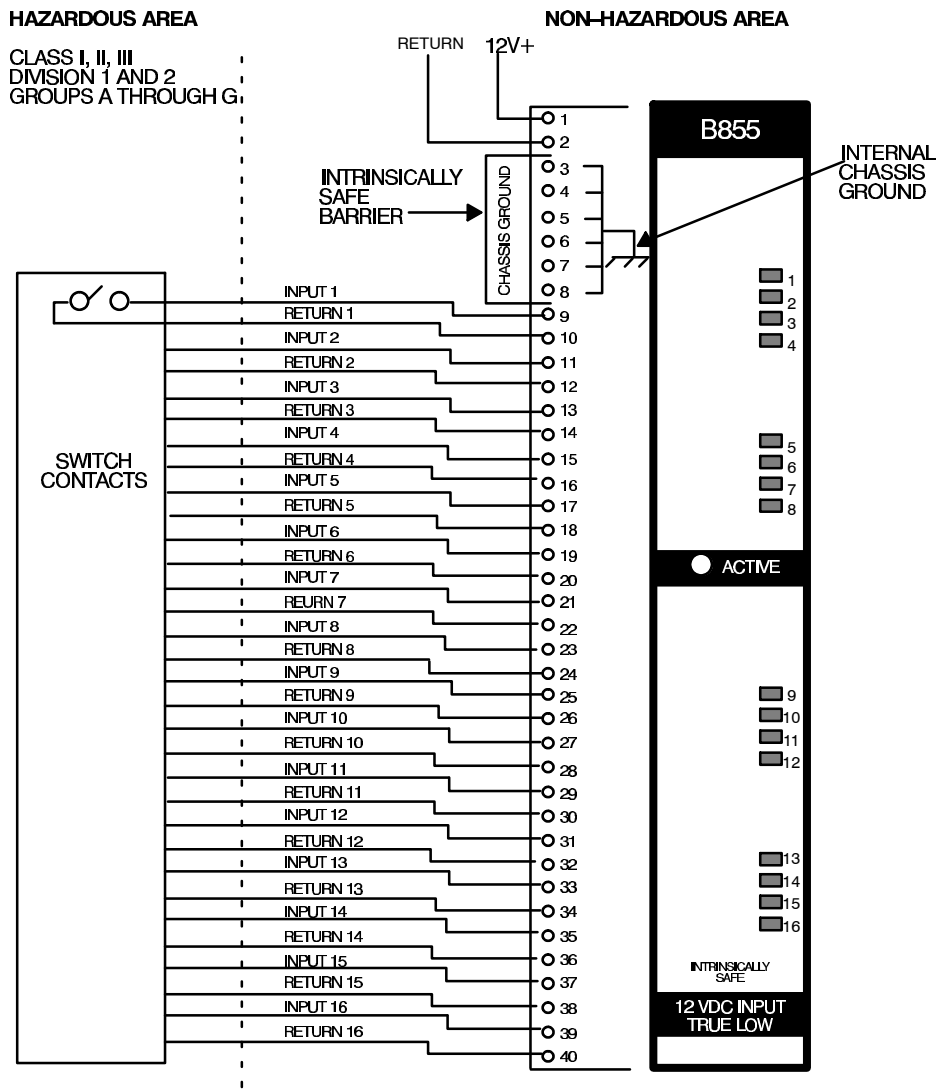


Figure 66 B855-016 Hazardous Area and Safe Area Wiring

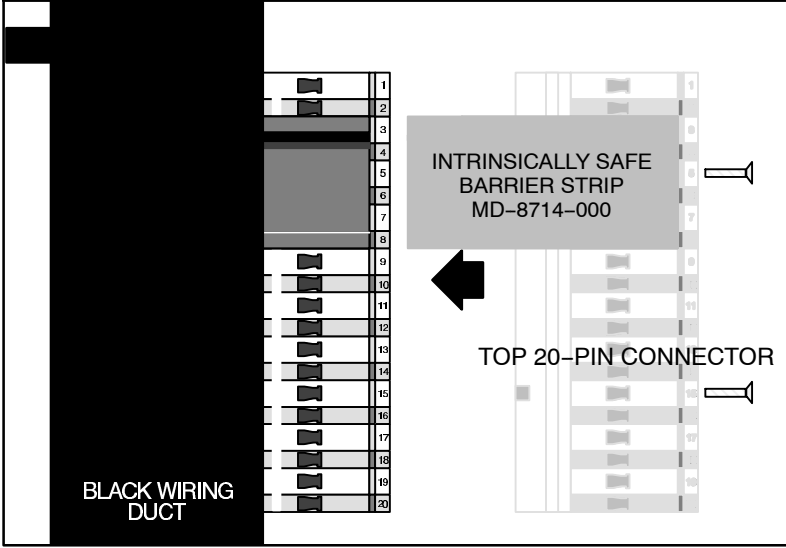
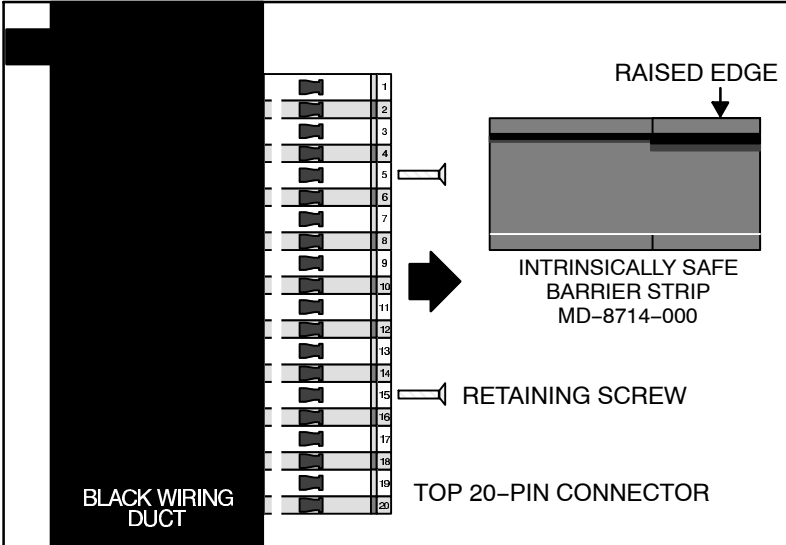


Figure 67 B855-016 Intrinsic Safe Barrier Strip

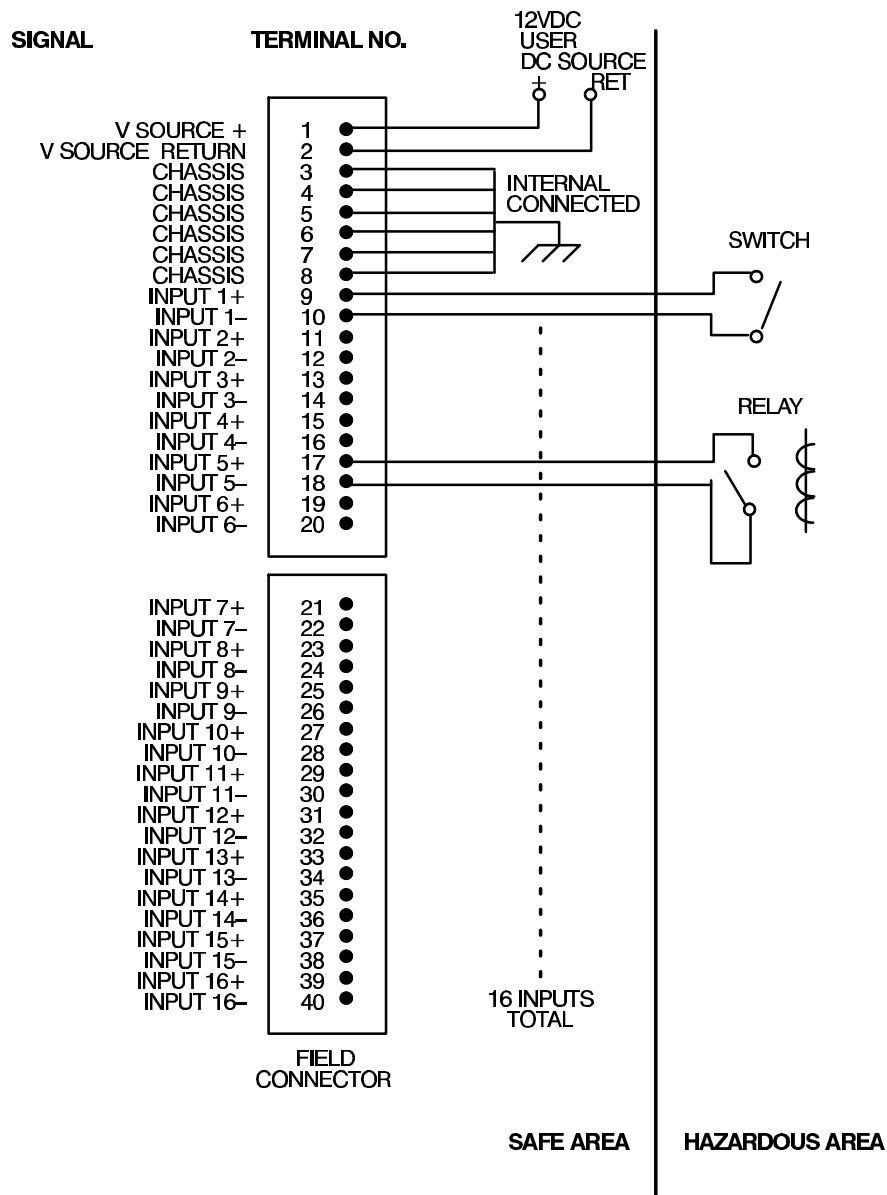


Figure 68 B855-016 Typical Field Circuit Connections

Step 7 Referring to Figure 68, connect field side wiring to proper pins on the field connector.



Note: The external 12 Vdc ($\pm 5\%$) power supply for the module should be a minimum of 1.0 A.

Step 8 Insert the module into the housing, firmly but carefully, seating the edge connector in the backplane.

Step 9 Secure module to housing using captive slotted mounting screws at the top and bottom of the module front panel.

31.3 Specifications

B855-016 Specifications			
Description	12 Vdc intrinsically safe input (true low)		
Number of Points	16, isolated		
Operating Voltage	11.4 ... 12.6 Vdc		
Number of Groups	1		
Inputs/Group	16		
Maximum Input Voltage	Continuous	12 Vdc ($\pm 5\%$)	
	Surge	500 Vdc for 3 ms	
ON State Conditions	100 Ω or less total impedance (3.9 mA @ 12 Vdc)		
OFF State Conditions	An open circuit, no less than 100,000 Ω (75 μ A) approx. 8.95 V present on + lead		
Maximum Response Time	OFF ... ON	1 ms	
	ON ... OFF	5 ms	
Power Required	+5 V	80 mA	
	+4.3 V	1.5 mA	
	-5 V	0 mA	
Leakage Current	< 1.5 mA		
Wattage Rating on the Module	1.8 W		
Maximum Input Voltage @ Source Inputs	Not to exceed 500 Vdc for 3 ms to user source terminals		
Module Supply Voltage In	11.4 ... 12.6 Vdc, 0.5 A max load working, *80 mA inrush current *Minimum power supply recommended is 1.0 A		
Maximum Impedance Limitations	Group	L Inductance	C Capacitance
	A&B	80 mH	1.0 μ f
	C	300 mH	3.0 μ f
	D	700 mH	8.0 μ f
Note: These are Factory Mutual requirements. Please consult with your vendors regarding field devices, wiring, and barriers to ensure compliance.			
Terminal Connector	AS-8535-000		
Factory Mutual FM 3610	Requires use of key pins and MD-8741-000 barrier strip included with the module		

Chapter 32

B863-032 Monitored 24 Vdc Input

- Overview
- Field Connections
- Quick Start Test
- Specifications

32.1 Overview

The B863-032 Monitored dc Input Module (B863) is a 32 point, 24 Vdc, true high, 800 Series, module capable of determining the state of switches, relays, solenoids, lamps, proximity switches, and other 24 Vdc powered devices. In addition, the B863 monitors itself to insure its ability to detect high or low states at its inputs.

This feature is designed to provide an extra margin of reliability in safety shutdown systems. This is accomplished with a module resident diagnostic test. The diagnostics verify the module's functionality by momentarily forcing all inputs to a low state followed by a high state. This forcing function is transparent to the input source.

32.1.1 Simplified Schematic

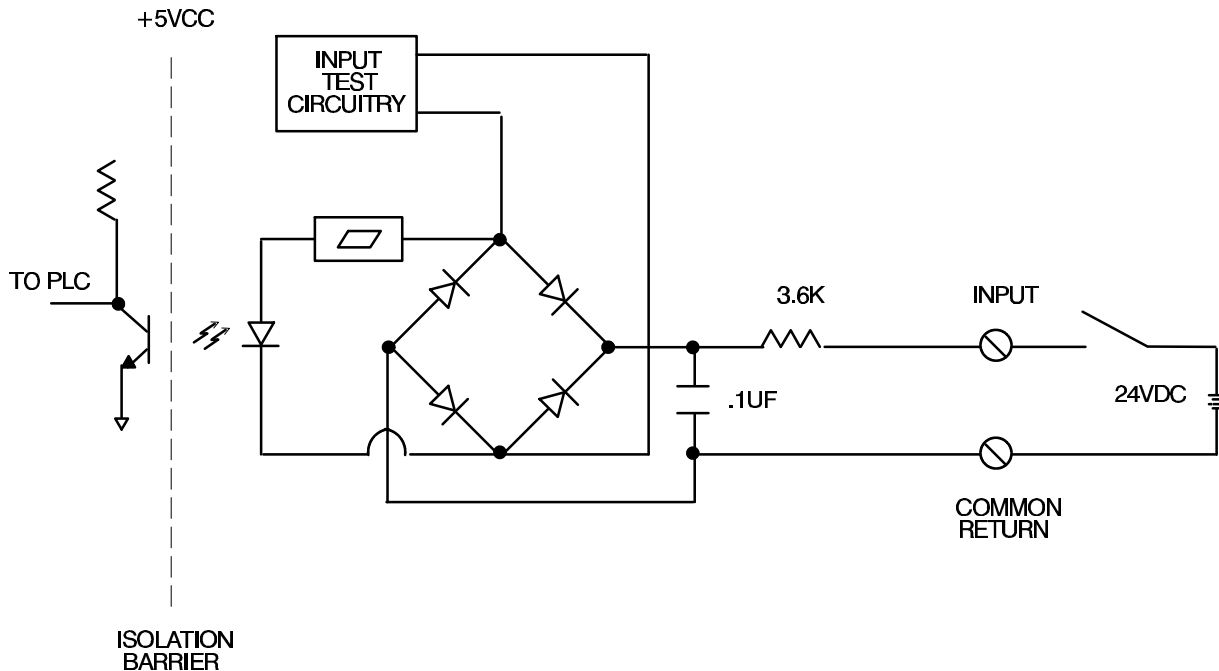


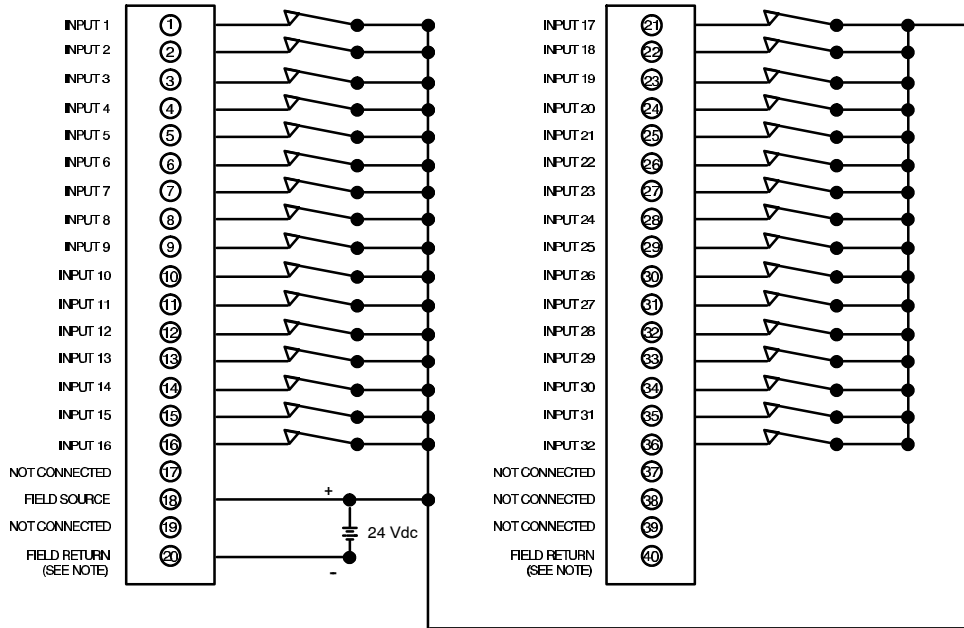
Figure 69 B863-032 Simplified Schematic

This diagnostic test is performed at a rate of 1/s, and takes less than 1 ms. The inability of an input to detect a low or high state during diagnostics, results in the reporting of a fault to the controller, and the flashing of the ACTIVE LED. Digital filtering is performed on all inputs to reduce the occurrence of nuisance faults. Communication between the module and the controller consists of four words. Two words contain the State of each input, and the other two words contain the Fault Status of each input. Within the State words, a high, or one indicates a ON condition. Within the Fault Status words, a high, or one indicates a fault at the respective input.

32.2 Field Connections

User connections are made to a standard screw terminal strip and the rigid wiring system permits module insertion or removal without disturbing the wiring.

32.2.1 Input Connections



NOTE: PINS 20 AND 40 ARE INTERNALLY CONNECTED TOGETHER

Figure 70 B863-032 Terminal Numbering and Input Connections

32.3 Quick Start Test

This test configures the module as follows: B863 (4 register binary).

Step 1 Stop the controller.

Step 2 Determine which channel and slot location are being used for this module and insert the module.



Note: Remove the keying tabs on the AS--8535--000 high density connector prior to installing module.

Step 3 Wire +24 Vdc external power supply to terminal 18, and connect common to terminal 20 on a AS--8535--000 high density connector. Do not connect any other field wiring to the connector.

Step 4 Turn ON the external 24 Vdc power supply. The Field Power light will come ON.

Step 5 I/O Map the module as a B863, four register inputs 30001 ... 30004 binary. Recall that the first two registers are used for real inputs, and the last two registers are error flags.

Step 6 Start the controller.

Step 7 Confirm that the module's active light is illuminated.



Note: Active on steady = OK. Active blinking = Check the 24 Vdc external power supply voltage and wiring.

Step 8 View the B863 I/O mapped registers, 30001 ... 30004 on the reference screen in binary format.

Step 9 Verify that all the points are zero.



Note: The first two registers, 30001 and 30002 are real inputs. Open inputs to the module reads 0. The second two registers, 30003 and 30004 are error flags. A value of 1 in any of these error flag points indicates a faulty input.

Step 10 Turn OFF the external 24 Vdc power supply, and all error flag points change to 1.

- Step 11** Turn ON the external 24 Vdc power supply, and all error flag points change back to 0.
- Step 12** To test an input, connect a wire from the +24 Vdc point on the connector terminal 18, and touch the other end of the wire to terminal 1. Bit 1 in 30001 goes from 0 to 1. The error flag for input 1 is found at bit 1 in register 30003. When the input is functional this reads 0.

32.3.1 Application Example

The B863 module not only reads 24 Vdc inputs, but it allows you to monitor the health of the input circuits through the use of the input error flags. In the following example, networks allow you to monitor the error flag inputs for maintenance and troubleshooting. If the B863 module is I/O mapped as 30001 ... 30004, then registers 30001 and 30002 are the real world inputs, and 30003 and 30004 become the Error Flag Inputs. In Figure 71, registers 30003 and 30004 are compared to registers 40011 and 40012.

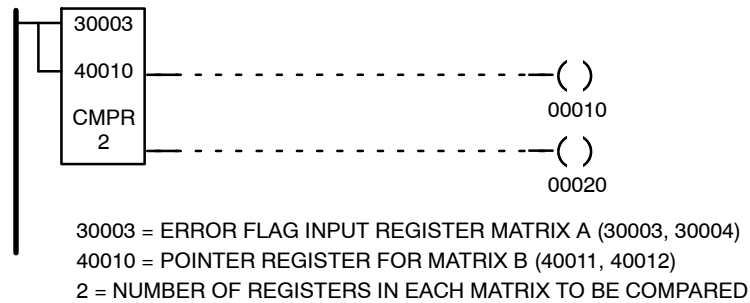



Figure 71 B863-032 Network One

 **Note:** 40011 and 40012 must be initialized to zero.

If a miscompare is detected then output 10 goes ON and 40010 will contain the bit with the error as shown in Figure 72. These error bits are stored in an error table through the R→T function block. The MBIT function block sets the same bit in matrix B so the input at fault is not placed into the error table on every scan.

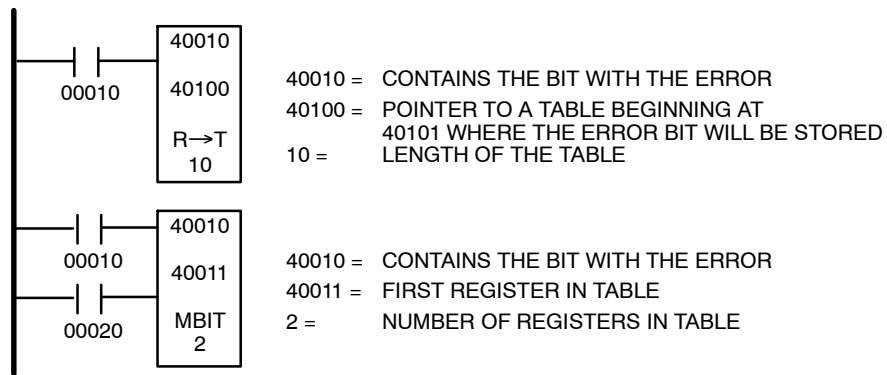


Figure 72 B863-032 Network Two

The following table shows how a failure of input 15 would look in the error table. Figure 73 shows matrix A input registers (30003 and 30004) and how a failure of input 15 or bit 15 looks. When the error is corrected, the error table and pointer should be cleared to 0.

B863-032 Input 15 Error Table

Register	Data
40100	0001 ← Pointer to Table
40101	0015 ← Fault with Input Bit 15
40102	0000
40103	0000
...	...
40110	0000

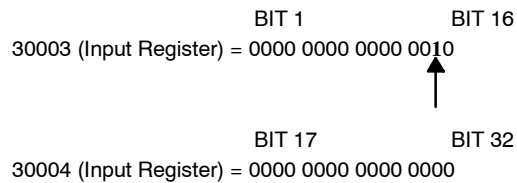


Figure 73 B863-032 Error Location

32.4 Specifications

B863-032 Specifications		
Description		24 Vdc high density monitored input
Type of Operation		True high
Number of Points		32
Operating Range Voltage		18 ... 30 Vdc true high, 24 Vdc nominal
Number of Groups		2
Inputs/group		16
On State Conditions		18 Vdc minimum @ the input, 30 Vdc maximum @ the input, typical on state current: 4 mA
Off State Conditions		6 Vdc maximum @ the input, typical OFF state current: 1 mA
Maximum Response Time	OFF → ON	10 ms
	ON → OFF	10 ms
Power Required	+5 V	250 mA
	+4.3 V	0 mA
	-5 V	0 mA
External Power Supply	Operating Current	20 mA of field power plus point input channel
	Operating Voltage	18 ... 30 Vdc true high, 24 Vdc nominal
Terminal Connector		AS-8535-000

Chapter 33

B863–132 24 Vdc Input

- Overview
- Switch Settings
- Field Connections
- Configuration
- Specifications

33.1 Overview

The B863-132 24 Vdc (32-point) Input Module senses and converts switched input signals into logic voltage levels used by the PLC. This module senses and reports broken wire faults. The module is designed for safety applications whereby it monitors essential field wiring. This module satisfies applications where connectivity diagnostics are important to the process. A logic side LED indicates the logic state that is written into the state table.

33.1.1 Simplified Schematic

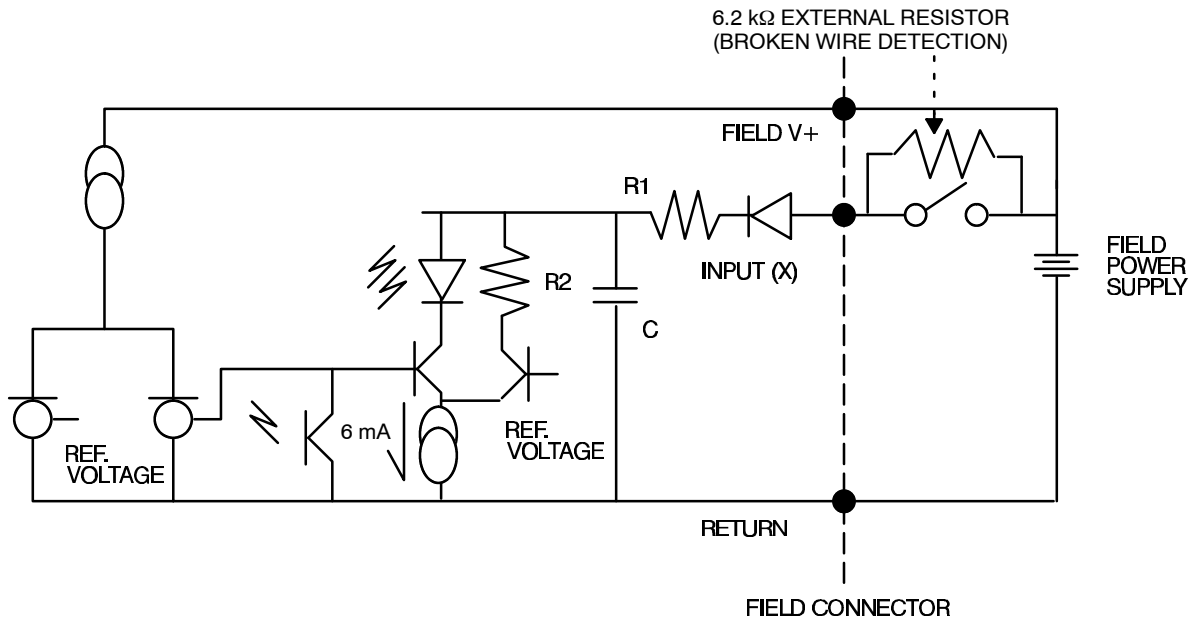


Figure 74 B863-132 Simplified Schematic

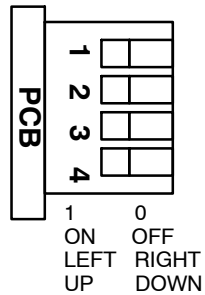
33.2 Switch Settings

A four-position DIP switch (see Figure 75) located on the rear of the module is used to select broken wire testing. Each individual switch relates to one of the four groups of eight input points. For example, DIP-Switch position #1 when set to OFF senses for broken wire faults for group 1 and so on; when set to ON no fault is reported.



Caution: Only Binary should be used when operating module in line test mode. Do not use BCD.

LINE TEST SWITCH FOUR-POSITION DIP SWITCH
TOP OF MODULE



SWITCHES	FUNCTIONS
SW1=0 =1	GROUP 1, LINE TEST GROUP1, NO TEST
SW2=0 =1	GROUP 2, LINE TEST GROUP2, NO TEST
SW3=0 =1	GROUP 3, LINE TEST GROUP3, NO TEST
SW4=0 =1	GROUP 4, LINE TEST GROUP4, NO TEST

Figure 75 Line Test DIP-Switch Settings



Note: When using binary and BCD inputs remember that input 1 is the MSB and input 32 is the LSB.

33.3 Field Connections

User connections are made to a standard screw terminal strip and the rigid wiring system permits module insertion or removal without disturbing the wiring.

Refer to Figure 76 for input connections.

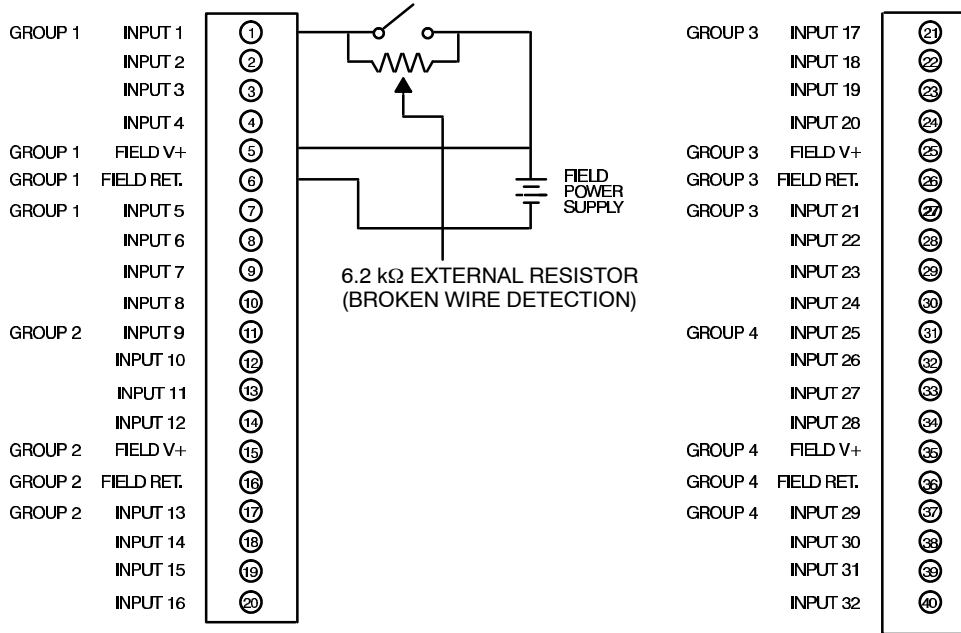


Figure 76 B863-132 Terminal Numbering and Input Connections

33.4 Configuration

This module appears as a B863 module when configured. This means the module requires four 16-bit words ($1x$ registers), see Figure 77. The first two words contains the state of the input points. The second two words contain the condition of the field wiring. If a broken wire is detected on input point, then a one is displayed in input register ($1x + 32$) at its position. When the fault is fixed, a zero appears in the bit. A one indicates a detected fault, whereas, a zero indicates normal operation of that input point.

	MSB	LSB	
$1x + 0$	1 2 3 4 5 6 7 8	9 10 11 12 13 14 15 16	1 ... 16 input data
$1x + 16$	1 2 3 4 5 6 7 8	9 10 11 12 13 14 15 16	17 ... 32 input data
$1x + 32$	1 2 3 4 5 6 7 8	9 10 11 12 13 14 15 16	1 ... 16 fault detection
$1x + 48$	1 2 3 4 5 6 7 8	9 10 11 12 13 14 15 16	17 ... 32 fault detection

Figure 77 B863-132 Data Registers

33.5 Specifications

B863-132 Specifications		
Description	24 Vdc input	
Number of Points	32	
Number of Groups	4	
Inputs/Group	8	
Working Voltage	0 ... 30 Vdc	
Reference Voltage	19.2 ... 30 Vdc	
Reference Current	9 ... 15 mA/group	
Threshold Voltage	11 ... 15 Vdc	
External Resistor	(broken wire detect) 6.2 k Ω \pm 10%, 1 external resistor/input point, resistor across contactor for nominally operated 24 Vdc system	
Input Current	Low state	1.8 ... 3 mA
	High state	5.75 ... 7.1 mA
Transition Time	ON	V in = 20 Vdc 200 ms minimum
		V in = 30 Vdc 25 ms minimum
	OFF	V in = 20 Vdc 100 ms maximum
		V in = 30 Vdc 250 ms maximum
Maximum Response Time	OFF \rightarrow ON, ON \rightarrow OFF	2 ms, contact opening or closing, 100 ms maximum fault detection time
Power Required	+5 V	350 mA
	+4.3 V	10 mA
	-5 V	0 mA (not used)
Terminal Connector	AS-8535-000	

Chapter 34

B864-001 Register Output

- Overview
- Switch Settings
- Field Connections
- Specifications

34.1 Overview

The B864-001 Register Output Module provides a 5 V TTL or CMOS-compatible interface between a PLC and peripheral field devices. The B864 register output module operates in either BCD or binary mode. The desired mode is operator selectable, with the 16-bit output either having BCD values in the range 0000 ... 9999 or binary output in the range 0000 ... FFFF hex.

The B864 is an eight-channel register output module with eight 16-bit registers. A channel is defined as a 16-bit data path. The channels can be configured as eight BCD or eight binary registers via the appropriate switch setting.

The module is organized in a group strobe arrangement with the 16 data lines associated at a given moment with one of the eight strobe lines. Each strobe line addresses one of the devices on the data bus and enables it to transmit data to a given peripheral device to the exclusion of the other devices. The data lines are routed to all devices. The B864 is operated in module select mode. In module select mode, all eight data registers are transferred in a single Ourbus cycle.

34.1.1 Simplified Block Diagram

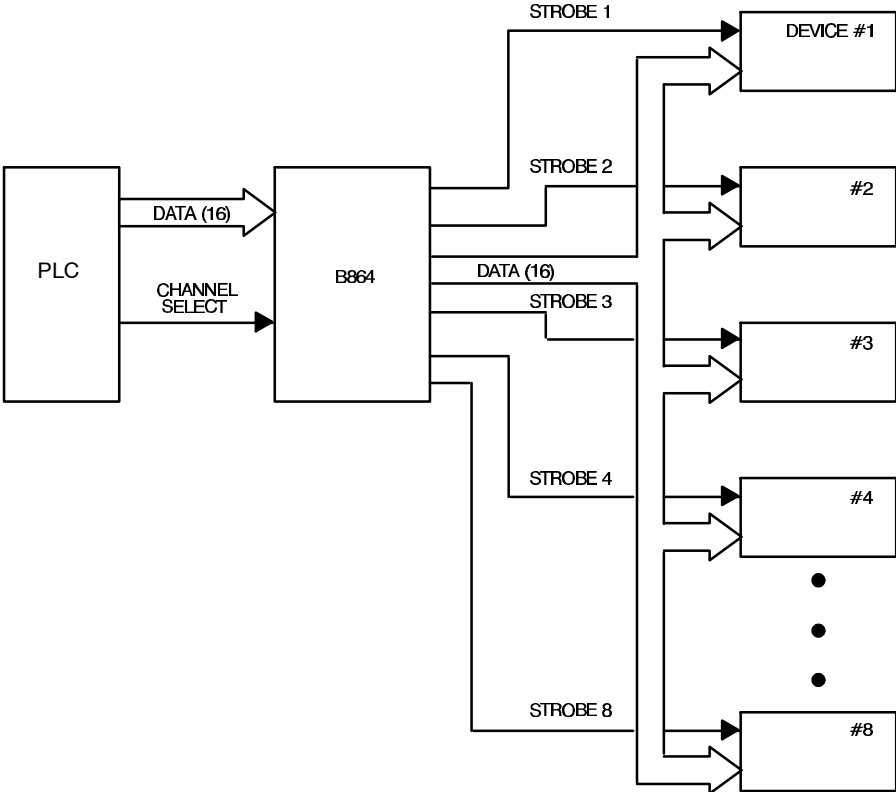


Figure 78 B864-001 Simplified Block Diagram

34.2 Switch Settings

Two toggle switches are located at the top of the module and are used to determine the type of communication with external devices. Both switches are user selectable.

1. Bin/BCD Switch

This toggle switch determines whether the output data is to be interpreted by the target devices as a BCD or a binary value.

2. Strobes Active Hi/Lo Switch

This toggle switch allows you to select true- -hi or true- -lo for strobing output data.



Note: The relation between the I/O Map selection, the BCD/Binary switch setting, and the results at the output are summarized:

I/O Map Selection	B864 Switch Setting	Result
Binary	BCD	BCD
Binary	Binary	Binary
BCD	BCD	Erroneous
BCD	Binary	BCD

34.3 Field Connections

User connections are made to a standard screw terminal strip and the rigid wiring system permits module insertion or removal without disturbing the wiring.

34.3.1 Terminal Numbering and Output Functions

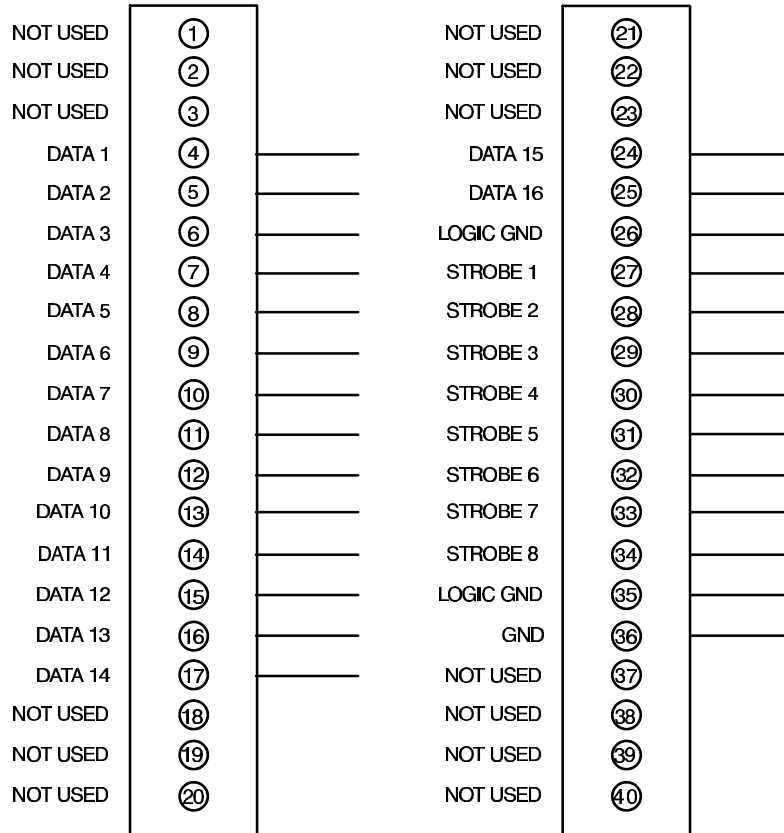


Figure 79 B864-001 Terminal Numbering

34.3.2 Pull-up Resistor Connection

You must install pull-up resistors at the active device end to use the B864 output module. The value of the pull-up resistor depends upon the number of devices that are attached to the data bus as explained below. Each output meets 0.4 V maximum at 16 ma for a logic low and 3.3 V minimum at 16 mA for a logic high. If the current limit has been exceeded, you should adjust the pull-up resistor values within specification; otherwise, spurious results may be obtained.

Figure 80 indicates how the resistors are connected at the device end. For a single device consisting of 16 data lines, 16 1 k resistors are required, or, one 1 k resistor/data line. As additional devices are added to the data bus, the value of the pull-up resistor must be increased by 1 k. In other words, if two devices are used, the pull-up resistor must be 2 k, three devices require a 3 k pull-up, and so on, with the maximum number of 8 devices requiring 8 k of pull-up for each data line.

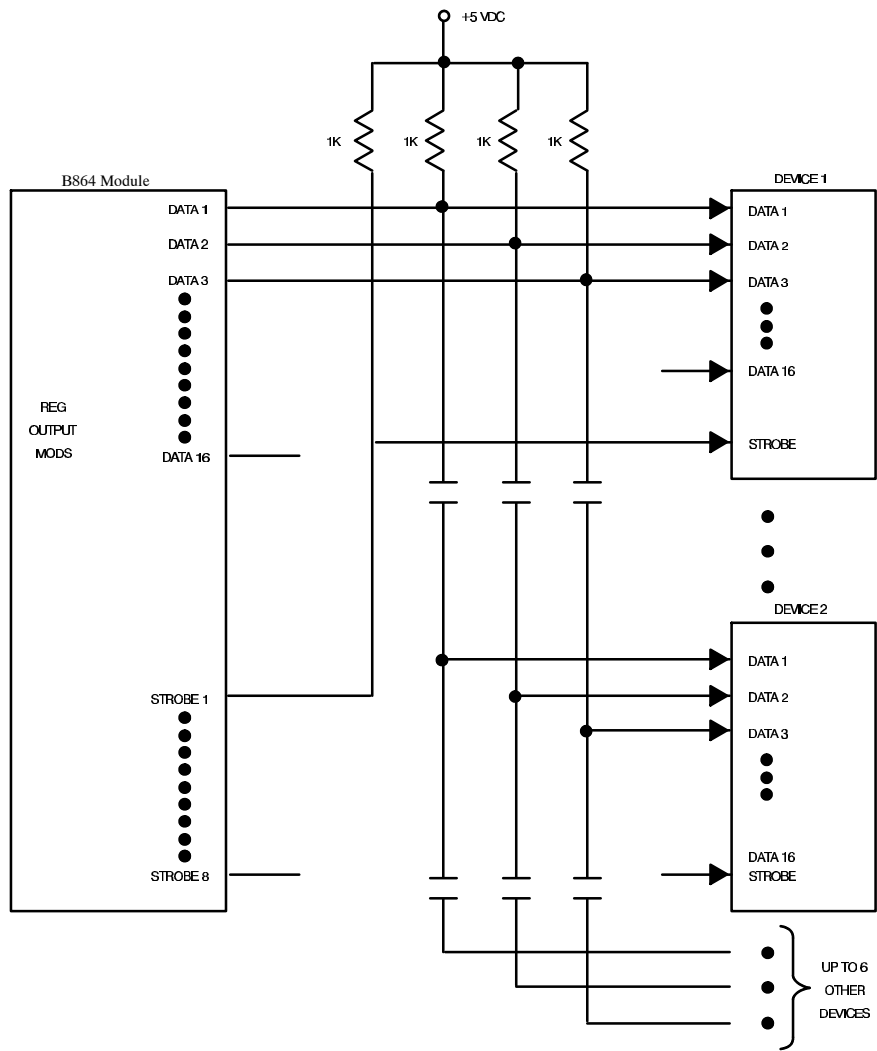


Figure 80 B864-001 Pull-up Resistor Connection



Note: Increase pull-up resistor value by 1 k for each additional device.

34.4 Specifications

B864-001 Specifications		
Description	TTL register output	
Number of Points	8 channels, 16 data lines	
Operating Voltage	5 V TTL	
Number of Groups	N/A	
Outputs/group	N/A	
Guaranteed Min Levels	High State > 3.5 Vdc	
	Low State < 0.4 Vdc while sinking 16 mA	
Strobe Output Power	Two TTL loads @ 5 Vdc	
Strobe Width Timing	200 μ s \pm 10%	
Module Throughput	11.3 ms	
Power Required	+5 V	100 mA
	+4.3 V	100 mA
	-5 V	0 mA
External Supply	A +5 Vdc external power supply is required for pull-up resistor VCC	
Field Device Requirements	Output Level	
	TTL	Low: 0 < 0.8 Vdc @ 1.6 μ A High: 1 > 2.4 Vdc @ 40 μ A
	CMOS	Low: 0 < 1.6 Vdc @ 0.3 μ A High: 1 > 3.3 Vdc @ 0.3 μ A
Terminal Connector	AS-8535-000	



Note: All user field devices must have outputs that feature latched, tri-state, or open collector logic. The user must provide 1 k Ω \pm 10% pull-up resistors for each strobe line.

Chapter 35

B865-001 Register Input

- Overview
- Switch Settings
- Field Connections
- Specifications

35.1 Overview

The B865-001 Register Input Module provides a 5 V TTL or CMOS-compatible interface between peripheral field devices and a PLC. The B865 is an eight-channel register module with eight 16-bit registers. A channel is defined as a 16-bit data path.

The module can operate in either BCD or binary mode. The desired mode is user-selectable, with the parallel 16-bit input having BCD values in the range 0000 ... 9999 and the binary input in the range 0000 ... FFFF.

The B865 operates in module select mode, which updates the controller with eight input registers of new data samples on one scan period. The module select feature ensures data integrity by sampling and comparing data from the user device twice during each channel's active strobe period. If the samples are equal, the data is accepted for further processing. If the samples are not equal, the old data is sent to the controller. If a channel has three consecutive no-compares, a 16-bit word containing all zeros is routed to the PLC.

35.1.1 Simplified Block Diagram

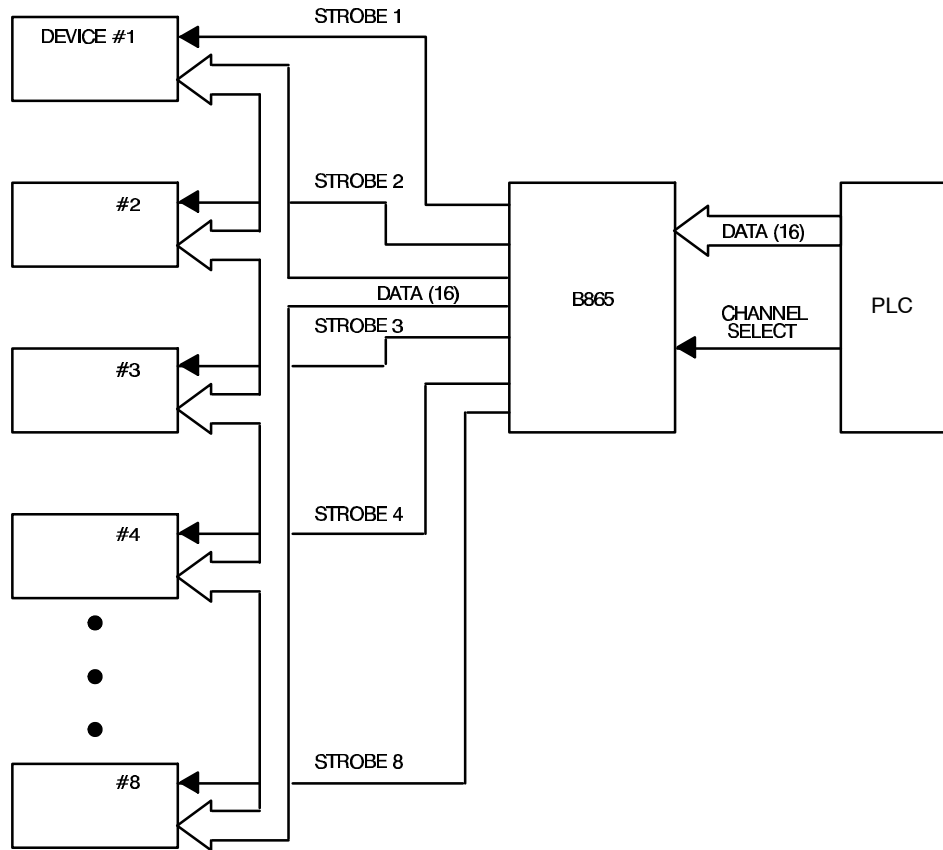


Figure 81 B865-001 Simplified Block Diagram

The B865 operates with a 16-bit data path. Data is routed in from a device by means of a strobe line associated with each device. The data lines are common to all devices while the strobe performs the addressing function.

The DC (Data Changing) signal from the field device is used for slowly changing data such as thumb wheel switches and prevents erroneous information from being transferred to the PLC. This input need only be used for slowly changing data that may cause the capture of erroneous information. The DC input connection is made on terminal 18 of the module's field side wiring strip.

35.2 Switch Settings

Two toggle switches are located at the top of the module and are used to determine the type of communication with external devices. Both switches are user selectable.

1. Data Polarity Switch

This toggle switch allows you to select true- -hi or true- -lo input data.

2. Bin/BCD Switch

This toggle switch determines whether the input data is to be interpreted by the controller as a BCD or a binary value.



Note: The relation between the I/O Map selection, the BCD/binary switch setting, and the results at the output are summarized:

I/O Map Selection	B865 Switch Setting	Result
Binary	BCD	BCD
Binary	Binary	Binary
BCD	BCD	Erroneous
BCD	Binary	BCD

35.3 Field Connections

User connections are made to a standard screw terminal strip and the rigid wiring system permits module insertion or removal without disturbing the wiring.

35.3.1 Terminal Numbering and Input Functions

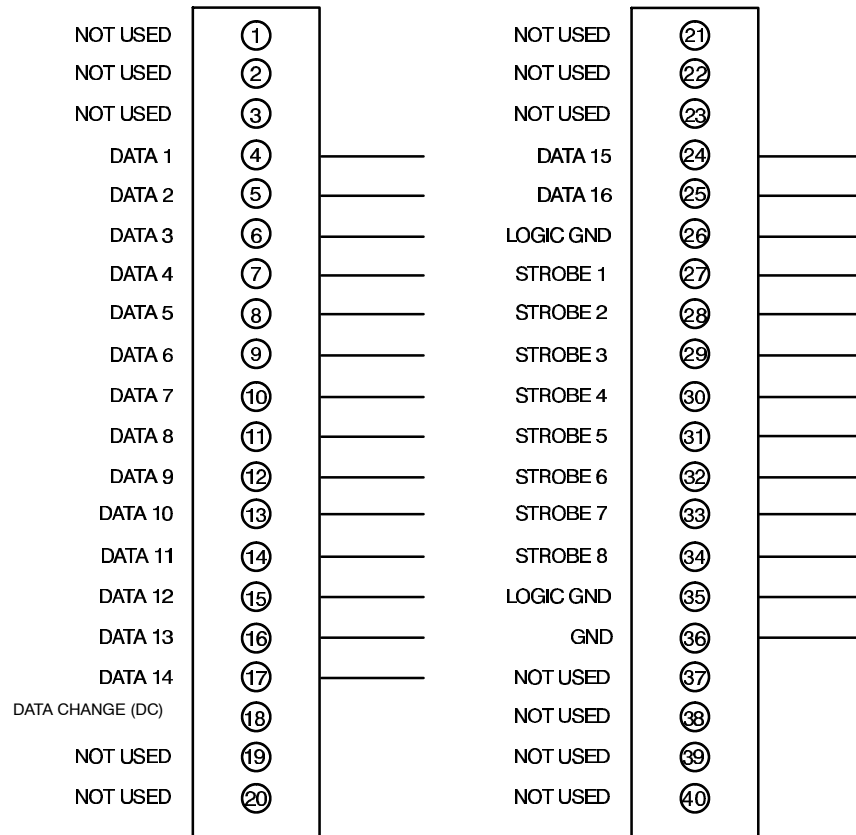


Figure 82 B865-001 Terminal Numbering

35.3.2 Pull-up Resistor Connection

You must provide resistive pull-ups of $2.2\text{ k}\Omega \pm 10\%$ for each strobe line. This is required on ACTIVE devices only. Thumb wheel switches for example, do not require the addition of pull-up resistors.

The recommended location for the pull-up resistors at the device end of the circuit; however, they will work at the module end as well.

Figure 83 shows a typical circuit set-up.

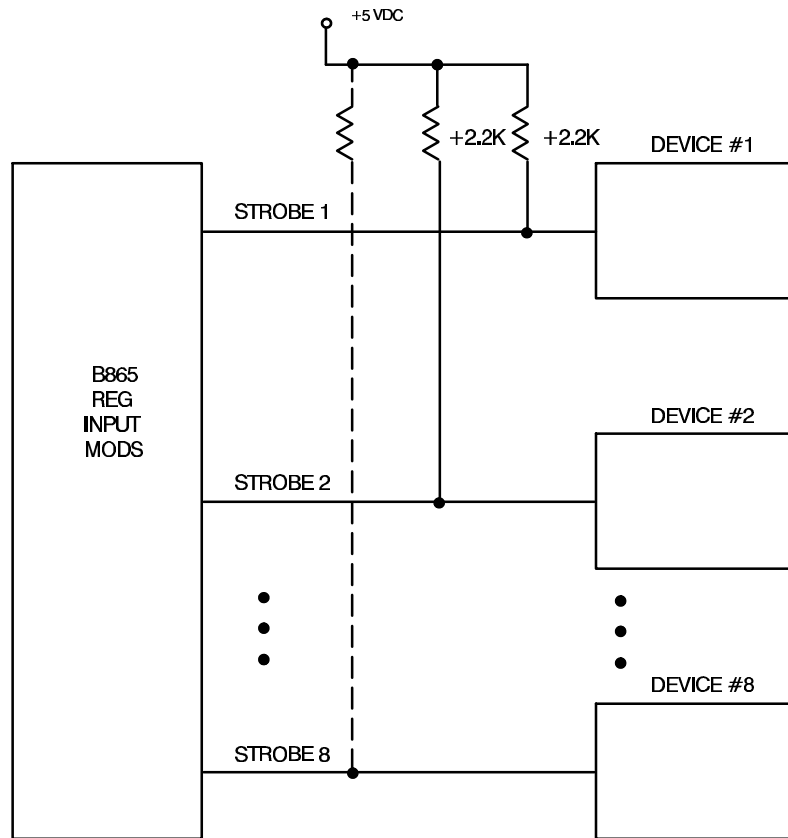


Figure 83 B865-001 Pull-up Resistor Connection

35.3.3 Strobe Type

Strobe lines for the B865 module are true-low. The opposite is the case in other Modicon I/O modules. Therefore, when multiple thumb wheel inputs require diode isolation, the polarity of the diodes may have to be reversed.

35.4 Specifications

B865-001 Specifications

Description		TTL register input
Number of Points		8 channels, 16 data lines
Operating Voltage		5 V TTL
Number of Groups		NA
Outputs/Group		NA
Guaranteed Min Levels		High State > 3.5 Vdc
		Low State < 0.4 Vdc while sinking 16 mA
Strobe Output Power		2 TTL loads @ 5 Vdc
Strobe Width Timing		2 mS \pm 10%
Data Set-up Time		Within 180 μ s after the strobe has gone active (LO), data must have stabilized on the field side inputs
Minimum Data Hold Time		100 μ s must be provided by the user
Maximum Response Time	OFF \rightarrow ON	20 ms
	ON \rightarrow OFF	20 ms
Power Required	+5 V	400 mA
	+4.3 V	600 mA
	-5 V	0 mA
External Supply		A +5 Vdc external power supply is required for pull-up resistor VCC
Field Device Requirements	Field Device	Output Level
	TTL	Low: 0 < 0.8 Vdc @ 1.6 μ A
		High: 1 > 2.4 Vdc @ 40 μ A
	CMOS	Low: 0 < 1.6 Vdc @ 0.3 μ A
High: 1 > 3.3 Vdc @ 0.3 μ A		
Terminal Connector		AS-8535-000



Note: All user field devices must have outputs that feature latched, tri-state, or open collector, or wired or passive logic. The user must provide 2.2 k Ω \pm 10% pull-up resistors for each strobe line.

Chapter 36

B881-001 Latched 24 Vdc Input

- Overview
- Field Connections
- Specifications

36.1 Overview

The B881-001 True High 24 Vdc 16-channel latched input module senses and converts input signals from its field circuitry to a logic level used by Modicon PLC. The incoming signal causes the module to latch at the occurrence of the ON state and may be considered a latching event. The 24 Vdc, true high latched input module is capable of direct connection to any Modicon, true high dc output module (at proper voltage).

36.1.1 Simplified Block Diagram

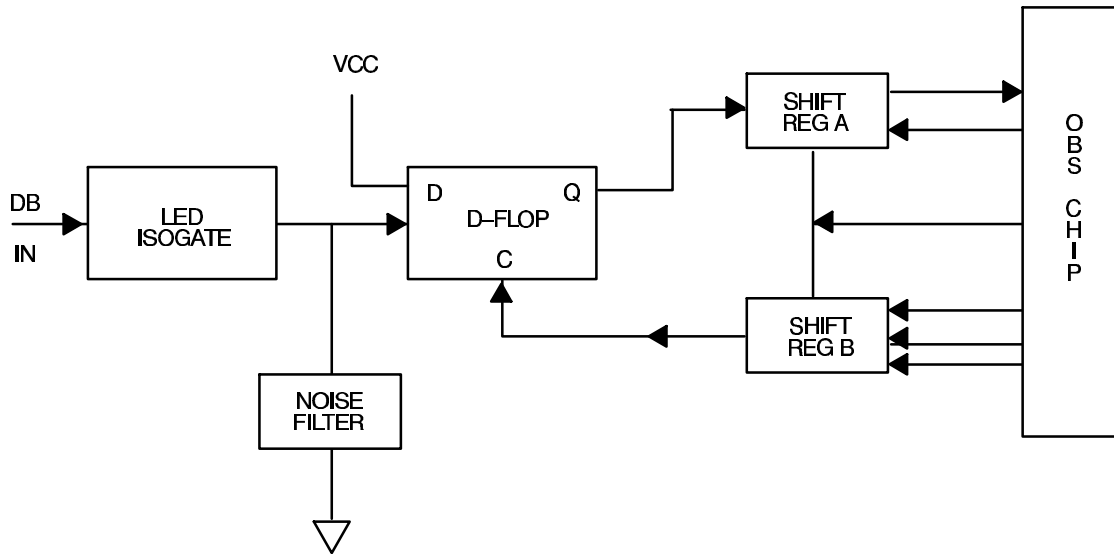


Figure 84 B881-001 Simplified Block Diagram



Note: Reversal of external load polarity will not cause circuit failure as the module is fused to protect its circuitry against overload currents and accidental polarity reversal.

The latching mechanism exists solely to *lockout* subsequent incoming signals for the time it takes to communicate to the controller that a latching event occurred, receive an acknowledgement, and reset the latch. The latched input module does not affect the users field circuit, drive the controller or communicate information to it other than the fact that a latching event took place.

Signals on the 16-channel inputs are compared to a reference voltage nominally set to 75% of the group supply voltage. An input signal of 500 μ s minimum pulse width and equal to or exceeding the reference voltage threshold will cause a latched ON state for any given channel. An input signal voltage less than 25% of the group supply voltage will result in a system OFF state.

When the module senses and latches on the leading edge of the true high, incoming field signal or data bit (DB), it clocks the D-type flip-flop on the low-to-high transition, in effect, capturing the latching event.

The module's ON state is communicated to the controller through Shift Register (A) and OBS chip via a handshake mechanism. The logic is then returned to the module from the CPU as an inverted signal through Shift Register (B) where it resets the flip-flop (latch condition) for that channel only. The reset latch is then available for another, low-to-high, event transition. To ensure that the controller has received a latched event, the module actually operates in a user programmed, echoed-data handshake mode. The handshake mechanism requires four to six scans before a new event can be recognized. Total scan time is software limited to 200 ms maximum and hardware limited to 250 ms maximum. Thus, you should not attempt to record events with a repetition rate greater than one per second unless willing to analyze his actual system and program.

36.2 Field Connections

User connections are made to a standard screw terminal strip and the rigid wiring system permits module insertion or removal without disturbing the wiring.

36.2.1 Terminal Numbering and Input Functions

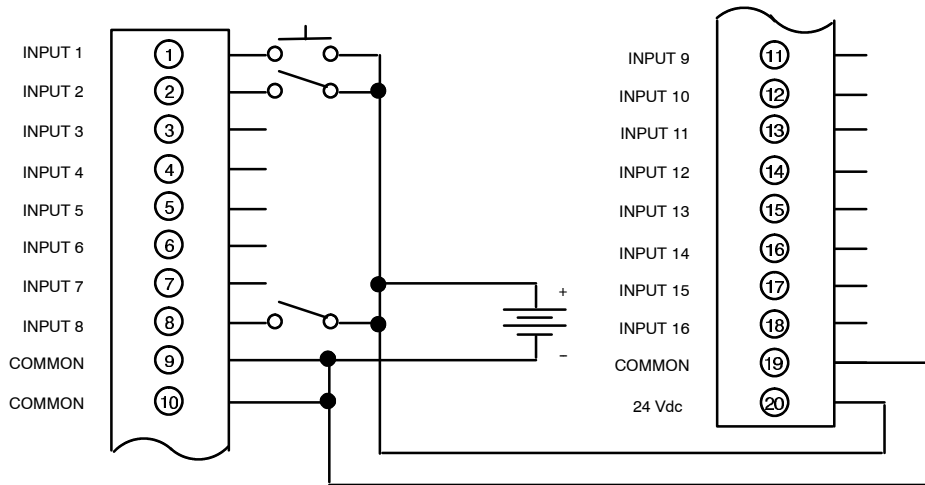


Figure 85 B881-001 Terminal Numbering

36.3 Specifications

B881-001 Specifications

Description		24 Vdc (LATCH) input
Type of Operation		True High
Number of Points		16
Operating Range Voltage		20 ... 28 Vdc
Number of Groups		1
Inputs/group		16
ON Condition		$\geq 75\%$ of group supply voltage for .5 ms/ min event pulse width
ON \rightarrow OFF Condition		$\leq 25\%$ of group supply voltage and input reset bit sent back to module
ON \rightarrow OFF Condition		$\leq 25\%$ of group supply voltage
Maximum Input Voltage	Continuous	30 Vdc
	Inrush	40 Vdc for 10 ms
	ON Current	6 mA @ 24 Vdc (typical)
Minimum Pulse Width		0.5 ms
Repetition Rate		1/s
Power Required	+5 V	30 mA
	+4.3 V	1.1 mA
	-5 V	0 mA
External Power Supply		24 Vdc (± 4 Vdc), 310 mA
Terminal Connector		AS-8534-000
Fusing		1/group, .75 A @ 250 Vdc

Chapter 37

B881-108 Protected 120 Vac Output

- Overview
- Using the Fault Condition Filter
- Field Connections
- Quick Start Test
- Specifications

37.1 Overview

The B881-108 protected ac output module serves eight isolated 120 Vac relays, solenoids, pilot lamps, and other loads up to 2.0 A. The module has eight isolated discrete outputs. Each point can accept its own neutral and hot ac power connections. Therefore the module can switch multi-phase or single phase power. The outputs work over the range 80 ... 130 Vac, true high.

The module detects triac fault conditions and turns the faulted point off for vital applications. The module compares the output to the input circuit reading. When a mismatch occurs and lasts for more than 64 ms or 128 ms, a fault condition is reported to the PLC. All eight output points may be filtered at either 64 ms or 128 ms. You select the filter times to meet your specific application. Filtering can reduce your occurrence of nuisance faults. Some applications include food processing, chemical processing, painting, and foundry casting.



Caution: E-STOP USAGE -- During normal operation, each of the discrete output points switches OFF the load current synchronously with the ac power frequency at the zero crossing of the load current. This synchronous zero crossing switching provides a reliable, low-switching energy/low transient method of controlling a broad range of industrial loads without the need for external load snubbers.

If an application requires that the load or ac voltage to the module be interrupted by an external switch (E-stop) at a non-zero load current, a large voltage transient across the load may result. This abnormal transient may be detected and interpreted as a triac ON condition of a protected OFF output point, resulting in nuisance faults.

APPLICATION: ac Power Switched OFF by an Emergency Switch

DESCRIPTION: The *ac hot* and *ac neu* for each point are not isolated and the applied ac voltage source to the module is open-circuited (interrupted external to the module via an E switch), while one or more of the output points are ON, powering an inductive load. The interrupt will cause a large voltage transient across the load, which couples back through the point (an external ac power wiring) to all other ac OUT points wired to the same source. This voltage transient is detected by the monitoring circuit, and is interpreted as a

fault condition for OFF points. When ac voltage is re-applied, any points that have “faulted” will blow their respective line fuses.

RECOMMENDATION: Eliminate any external ac power interrupt while outputs are in the ON state, or connect a suitable R/C snubber directly across each reactive load to absorb the turn-off energy, and limit the voltage transient across the OFF point to less than 50 V peak during the interrupt.

37.1.1 Simplified Schematic

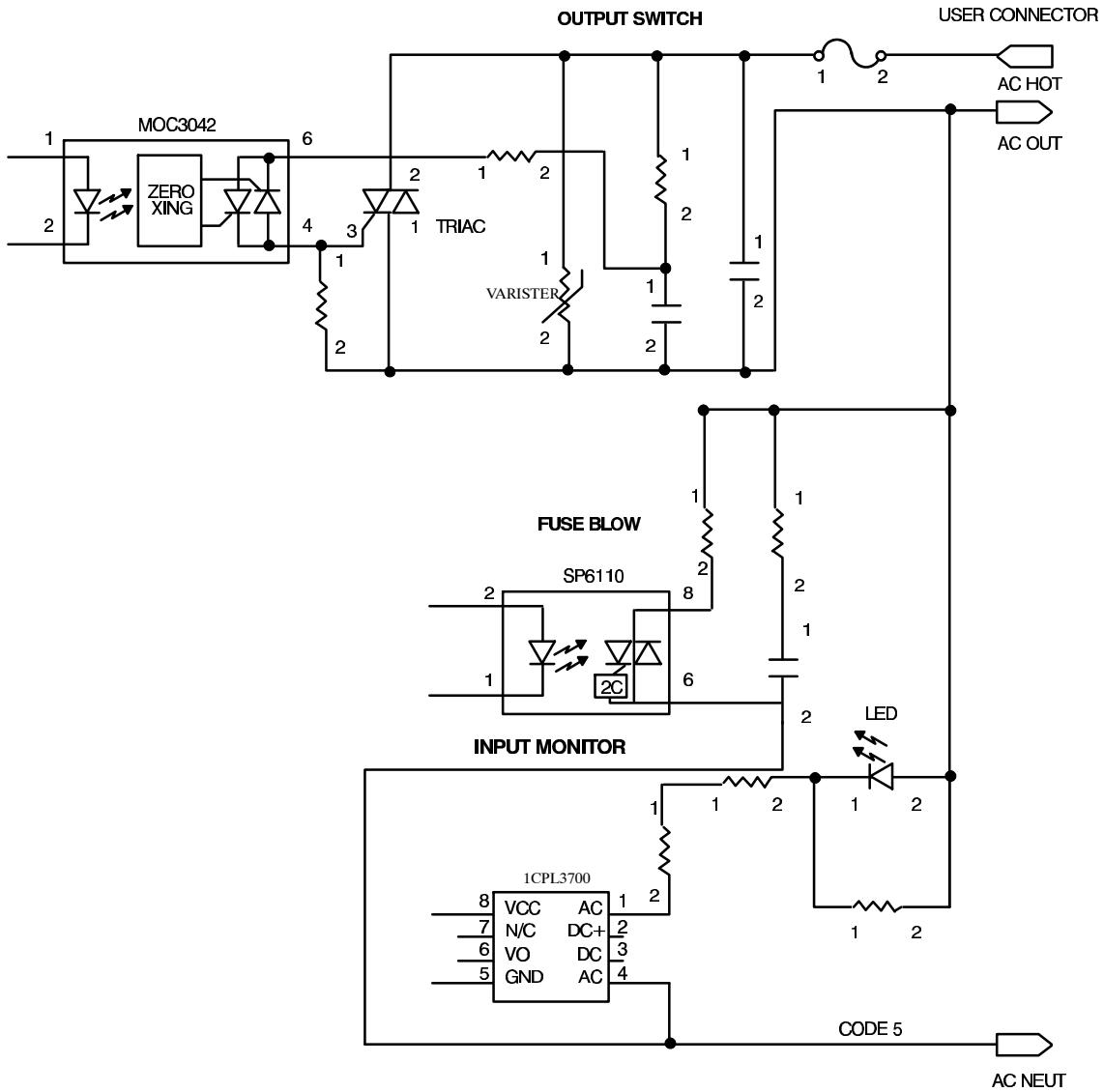


Figure 86 B881-108 Simplified Schematic

37.2 Using the Fault Condition Filter

You can remove any false or nuisance faults by using a fault condition filter. With the B881-108, you can choose a 64 ms filter, or a 128 ms filter based on your needs. Refer to Figure 87 for fault filter selection DIP switch settings.

The filtered fault is sent to the PLC only when the detected fault exists for more than the selected filter time. Once reported, if output status is on when off is desired, the module turns OFF the faulted point by blowing the point's fuse. For example, if you use a 64 ms filter and point number two is faulted for more than 64 ms, the fault is sent to the PLC and the module turns OFF point number two by blowing its fuse. To replace blown fuses slide the left side of the module towards the rear of the module. If the output is faulted ON it will blow the fuse. If the output is faulted OFF the module reports its condition but does not blow the fuse.

4-POSITION DIP-SWITCH

TOP OF MODULE



0 1
ON OFF
DOWN UP
LEFT RIGHT

WHERE:	SWITCHES	FUNCTIONS
	1	FAULT FILTER SELECTION
		FOR 64ms FILTER: SW1=L
		FOR 128 ms FILTER: SW1=R
	2,3, AND 4	NOT USED, KEEP TO LEFT

Figure 87 B881-108 DIP-Switch Settings

37.3 Field Connections

User connections are made to a standard screw terminal strip and the rigid wiring system permits module insertion or removal without disturbing the wiring.

37.3.1 Output Connections

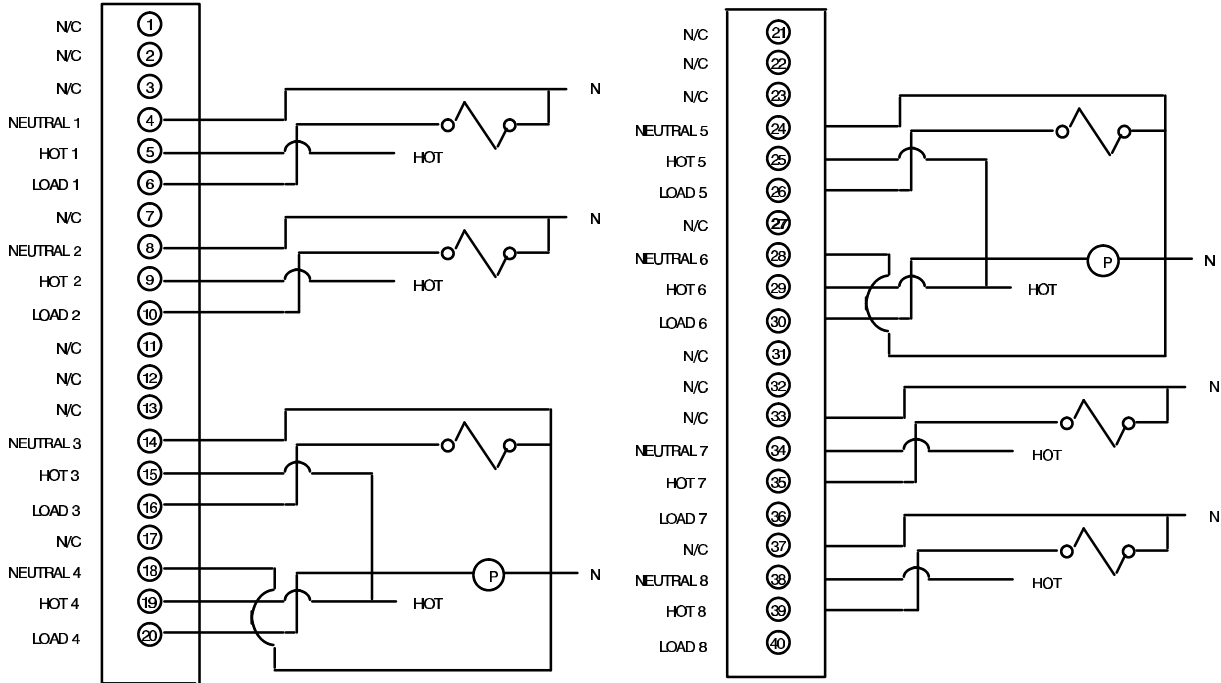


Figure 88 B881-108 Terminal Numbering

You can wire the points individually or as a group, because each output is isolated. Individual points are not isolated when wired as a group.

37.4 Quick Start Test

This test configures the module as follows: B881 (bi- -directional), and a 64 ms filter.

Step 1 Set the four-position DIP switch as follows: (viewing the rear of the module when held vertically):

SW1	Left	Selects a 64 ms Filter
SW2, 3, and 4	Left	Not Used (keep to left)

Step 2 Wire field neutral to terminal 4 (CH1 NEUTRAL) to one side of the field device, wire other side of field device to terminal 6 (CH1 LOAD), then wire your 115 Vac field hot to terminal (CH1 HOT) on a AS- -8535- -000 high density connector.



Note: Remove the keying tabs on the AS- -8535- -000 high density connector prior to installing module.

Step 3 Stop the PLC.

Step 4 Determine which channel and slot location are being used for this module and insert the module.

Step 5 I/O Map the module as a B881, inputs 10001 ... 10016, outputs 0001 ... 00016.



Note: The B881 is a bi- -directional module that provides eight discrete outputs, and eight discrete inputs. However, the B881 is identified in the I/O Map as a 16 point bi- -directional module, and is allocated 16 discrete inputs and 16 discrete outputs. The B881 uses only the lower order eight input and output points, the higher order of eight inputs and outputs can not be used anywhere.

Step 6 Start the PLC.

Step 7 Confirm that the module's active light is illuminated.

- Active ON OK
steady =
- Active Blinking = An output has an unclear fault detected (output is logically ON, but power is not available at input/output point)
- Active OFF = Failed diagnostics, loss of internal power, or loss of communication with PLC

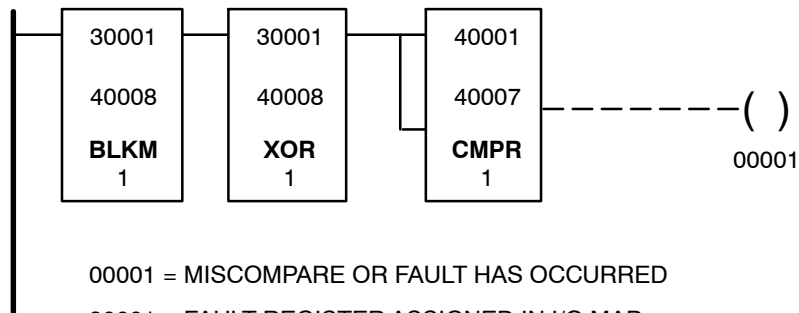
Step 8 Apply 115 Vac to channel 1 hot (CH1), and confirm that the red output light is illuminated after turning channel 1 (CH1) ON.

ON = Power is available at the output, and the module detects power to the input circuit

37.4.1 Application Example

The B881 module, with ability to sense its own output points is an excellent choice for critical operations. The example in Figure 89 shows ladder logic that allows for detection of point errors. This could ultimately be used to control a system if a critical failure occurred.

The block move shown in Figure 89 moves the contents of fault register 30001 into 40008, where it can be manipulated. The results of the XOR function of the contents of register 40001 and 40008 are written into register 40008. The compare block then compares 40008 with the output state in 40001; if they do not compare, coil 0001 will energize. Coil 0001 can be tied to an indicator light or safety circuitry for system protection.



- 00001 = MISCOMPARE OR FAULT HAS OCCURRED
- 30001 = FAULT REGISTER ASSIGNED IN I/O MAP
- 40001 = OUTPUT REGISTER ASSIGNED IN I/O MAP
- 40007 = POINTER FOR COMPARE BLOCK (POINTS TO 40008)
-THE POINTER CONTAINS THE LOCATION OF THE FIRST ERROR BIT SET IN THE FAULT REGISTER.
- 40008 = XOR RESULTS OF 30001 AND 40001

Figure 89 B881-108 Application Example

37.5 Specifications

B881-108 Specifications

Description		115 Vac protected output
Number of Points		8
Operating Voltage		80 ... 130 Vac / 47 ... 63 Hz
		150 Vac for 10 s
		200 Vac for 1 cycle
Number of Groups		8
Outputs/Group		1
ON Current	Maximum/point	2 A continuous 30 A for 1 cycle
	Maximum/group	2 A
	Maximum/module	16 A
On State Voltage Drop		1.5 Vac maximum @ 2 A
Surge Current		30 A surge current, 1 cycle/output at a rep rate not to exceed 1 surge cycle/min
Load Current		50 mA minimum
Leakage Current		3.0 mA max @ 130 Vac
Load Inductance		1 H maximum with no external diode suppression
Maximum Response Time	OFF → ON	9 ms @ 60 Hz
	ON → OFF	9 ms @ 60 Hz
External Power Supply		
Note: The B881 is powered by a standard 115 Vac field power supply.		
Module Supply Current In		40 mA maximum (all channels ON) of field side current in addition to load current
Power Required	+5 V	285 mA***
	+4.3 V	240 mA
	-5 V	0 mA
Terminal Connector		AS-8535-000
Fuse		3.0 A/point, replaceable
*** When all outputs are ON, +5 V = 285 mA maximum. When all outputs are OFF, +5 V = 210 mA maximum.		

Chapter 38

B881–508 125 Vdc Output

- Overview
- Fault Conditions
- Field Connections
- Specifications

38.1 Overview

The B881-508 125 Vdc Output Module has eight isolated outputs. The outputs can serve 125 Vdc voltage relays, pilot lamps, motor starters, solenoids, valves, and any other load rated up to 140 Vdc (the outputs work in the range 5 ... 140 Vdc).

Also, the B881 allows current surges within certain time limits. Internal fault flags report currents greater than 30 A, and currents between 5 ... 30 A for a period greater than 500 ms. This shut down mode can only be cleared by resetting the point. Point control within μs provides fast response in critical situations. The B881 conforms to ANSI/IEEE C37.90 1978 duty cycle sequences.

In addition to the normal mode of controlling the outputs, the B881 allows the first four points to be independently controlled by external inputs through the field side connector. These external inputs are 24 Vdc active high and can be controlled by a B984 High Speed Logic Solver. When a fault occurs during control by the external inputs, that input must be cycled (turned off) to clear the fault flag.

38.1.1 Simplified Schematic

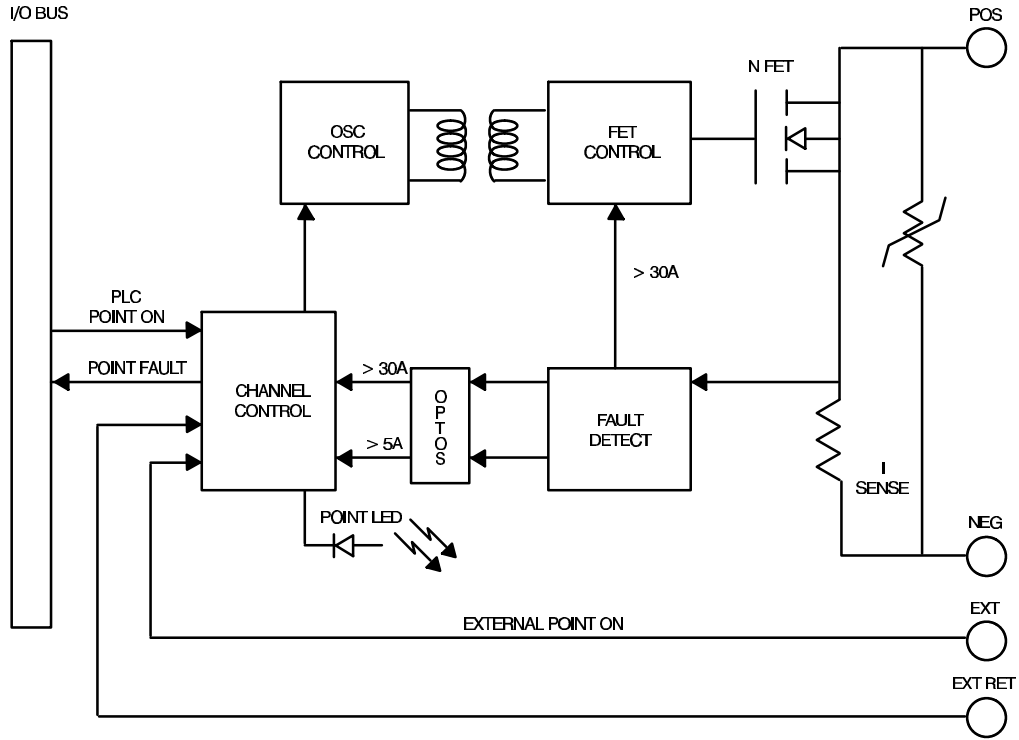


Figure 90 B881-508 Simplified Schematic

38.2 Fault Conditions

Over current shutdown, as well as, current surges greater than 500 ms are detected by the B881. Each point has a fault bit that you can access using your programming panel software. Each bit indicates either: an over current (greater than 30 A), or a current surge between 5 ... 30 A for a period greater than 500 ms. Although the B881 is I/O mapped as a 16 point bi-directional module, only the lower order eight inputs and outputs are used, the higher order of eight inputs and outputs can not be used anywhere (see Figure 91).

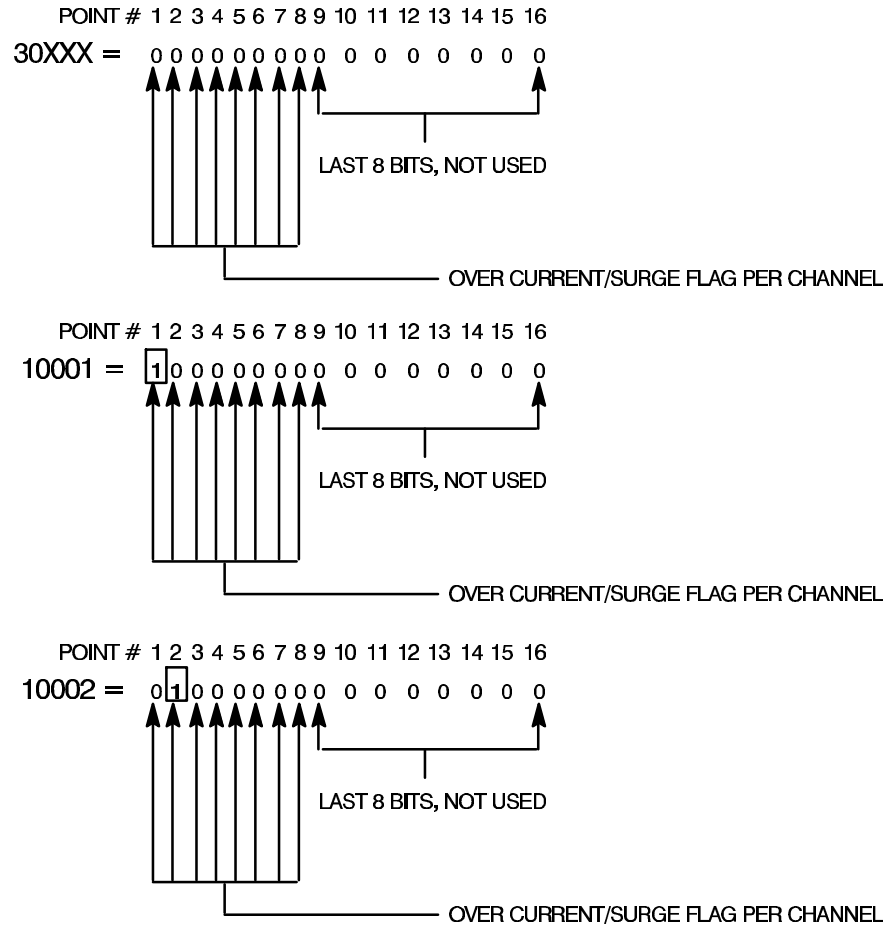
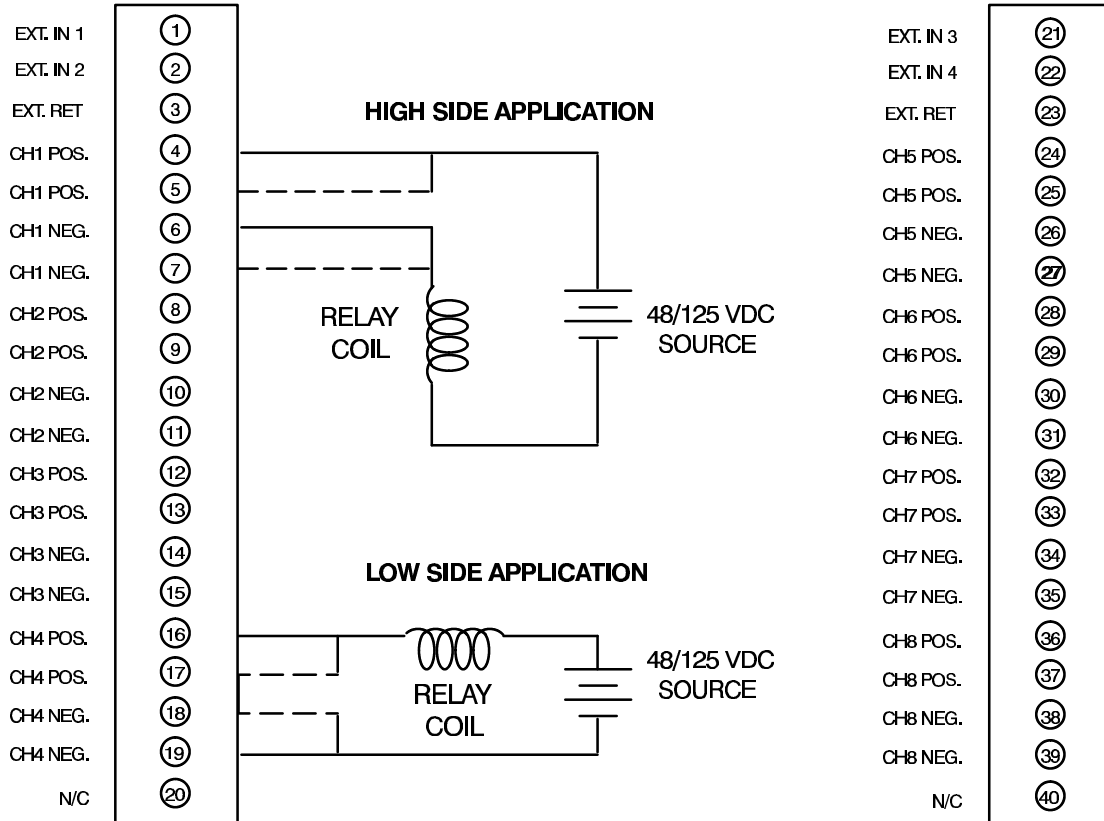


Figure 91 B881-508 Fault Flags

38.3 Field Connections

User connections are made to a standard screw terminal strip and the rigid wiring system permits module insertion or removal without disturbing the wiring.

38.3.1 Output Connections



NOTE: EACH OUTPUT HAS TWO TERMINALS FOR MULTIPLE WIRE CONNECTIONS.

NOTE: WHEN USING HIGH CURRENT BE SURE TO USE BOTH TERMINALS.

Figure 92 B881-508 Terminal Numbering



Caution: This module does not provide reverse voltage protection. Check for proper voltage polarity of output wiring.

38.4 Specifications

B881-508 Specifications		
Description		125 Vdc true high output
Number of Points		8
Operating Voltage		5 ... 140 Vdc maximum
Number of Groups		8
Outputs/group		1
Maximum Load Current		5.0 A continuous/channel maximum @ 25°C derated by 0.03 A/°C ... 4.0 A continuous per channel maximum @ 60°C 29.0 A/module maximum
Pulsed ON Cycle		500 ms maximum for 5 ... 30 A load
Inductance and Maximum Current/Channel		$I^2L < 25 \text{ W}^*$ $I^2LF < 0.5 \text{ W}^{**}$
Wattage		< 24 W, 2.5 W/point maximum
Surge Current		30.0 A 1 cycle (500 ms)/channel maximum
Minimum Load Current		75 mA
Maximum Response Time	OFF → ON	< 75 μs
	ON → OFF	< 100 μs
Maximum Off State Leakage Current		< 3 mA
On State Voltage Drop Across Module		< 0.75 Vdc @ 4 A Load Current
External Inputs	Response Time	75 μs
	Working Voltage Range	19.2 ... 28 Vdc
	Maximum Input Range	30 Vdc
	Mode of Operation	True High
Power Required	+5 V	300 mA
	+4.3 V	0 mA
	-5 V	0 mA
External Power Supply		5 ... 140 Vdc field power supply
Terminal Connector		AS-8535-000
*Typical values of Relay Inductance and currents that can be switched safely at 1 s rates using this formula.		
**For repetitive pulses, use this formula.		



Note: Proper fusing of external circuits is required dependant on application.

Chapter 39

B882-032 24 Vdc Diagnostic Output

- Overview
- Fault Conditions
- Field Connections
- DIP Switch Settings
- Quick Start Test
- Application Example
- Specifications

39.1 Overview

The B882-032 Diagnostic Output Module (B882) serves 32 points that make up four groups of eight outputs. Each group of eight outputs shares an external power supply voltage. The outputs work over the range of 20.0 ... 28.0 Vdc, true high. It is capable of driving 24 Vdc relays, solenoids, pilot lamps, and other loads rated up to 1.0 A.

The B882 module also detects field fault conditions and turns the faulted point OFF for vital applications. The B882 Diagnostic dc Output module can detect open load, over current, over voltage, and over temperature conditions.

39.1.1 Simplified Schematic

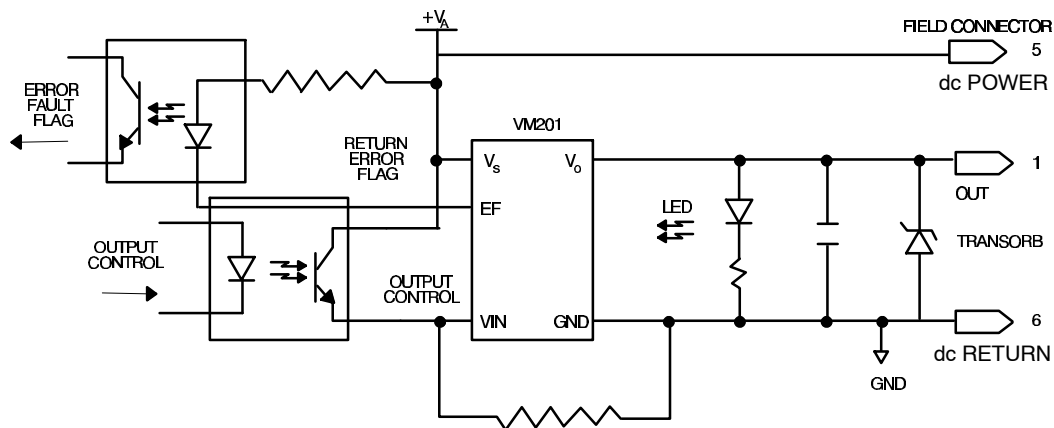


Figure 93 B882-032 Simplified Schematic

You can select the functionality of the Diagnostic dc Output Module. It can be a bi-directional module (B882) whereby you have 32 discrete outputs and 32 discrete inputs which are fault flags for each respective output. It can also be a uni-directional module (B818) having 32 discrete outputs without fault flags.

39.2 Fault Conditions

Open load, over current, over voltage and over temperature fault conditions are detected by the Diagnostic Output Module.

39.2.1 B882 Mode

In the B882 mode when an output fault is detected, the module without controller intervention disarms the faulted output and reports the condition to the controller via discrete input (1x), or input register (3x) points. The point remains disarmed until the user's logic rearms the point by turning the point back on. To turn the point back on the user's logic must turn the point off and back on.



Note: If the controller attempts to turn a faulted point back on, there must be a 2 ... 5 s delay from the time of a fault to the time of cycling the faulted point on. When this delay is not given, the module ignores the change. When you bring the faulted point low, the fault indicator clears in the 2 ... 5 s.



Note: If field power is lost, the module may detect faults. After you re-apply field power, you must clear all faults.



Caution: When a fault is detected, in B882 or B818 mode, the source of the fault should be cleared prior to you restarting the point. Failure to do so may result in damage to the power source, the driven field side device, and eventually the module itself.

39.2.2 B818 Mode

In the B818 mode when an output fault is detected, the module without controller intervention disarms the faulted output. Faults are not reported to the controller. To turn the point back on the user's logic must turn the point off and back on.



Note: If the controller attempts to turn a faulted point back on, there must be a 2 ... 5 s delay from the time of a fault to the time of cycling the faulted point on. When this delay is not given, the module ignores the change. When you bring the faulted point low, the fault indicator clears in the 2 ... 5 s.



Caution: If field power is lost, in the B818 mode, the module may detect faults that are not visible to the controller. After you re-apply field power, you must turn your points OFF then back ON for all ON states.

39.2.3 Fault Definitions

Open Load When the load current is less than, or equal to 100 mA, the output is turned OFF and the fault flag is set. To prevent the fault flag from being set you should place a resistor between the output point and the group return. For example, @ 20 Vdc the minimum load is 200 Ω @ 24 Vdc the minimum load is 240 Ω and @ 28 Vdc the minimum load is 280 Ω

When the output is already on and the load exceeds the open load trip level for one to one and a half ms, the output is turned OFF, and the fault flag is set.

Over Current When the load current exceeds the over current trip level following the switching of a point from off to on, the output is turned OFF, and the fault flag is set.

When the output is already on and the current exceeds the over current trip level for one to one and a half ms, the output is turned OFF, and the fault flag is set.



Note: The over current trip level has a value of 3.5 A or greater. Over current greater than 12 A may cause point failure.

Over Voltage If the external voltage supply exceeds the modules rating, the output point turns OFF, and a fault flag may be returned. The point requires cycling, after the external supply returns to the safe operating level. The over voltage trip level has a value of greater than 31 Vdc. There is no time delay.

Over Temperature When the junction temperature of the output transistor reaches 140°C or greater, the output is turned OFF, and the fault flag is set.



Caution: Be careful when using the B882. Unused outputs should not be turned ON since their field points are not wired. Turning them ON will cause an open load fault and the active light will blink. The minimum load required is 100 mA.

39.3 Field Connections

User connections are made to a standard screw terminal strip and the rigid wiring system permits module insertion or removal without disturbing the wiring. Setting the DIP-switch allows you to select bi-directional fault reporting or uni-directional non-fault reporting functionality prior to installation.

Terminal numbering and their corresponding output functions are presented below in Figure 94.

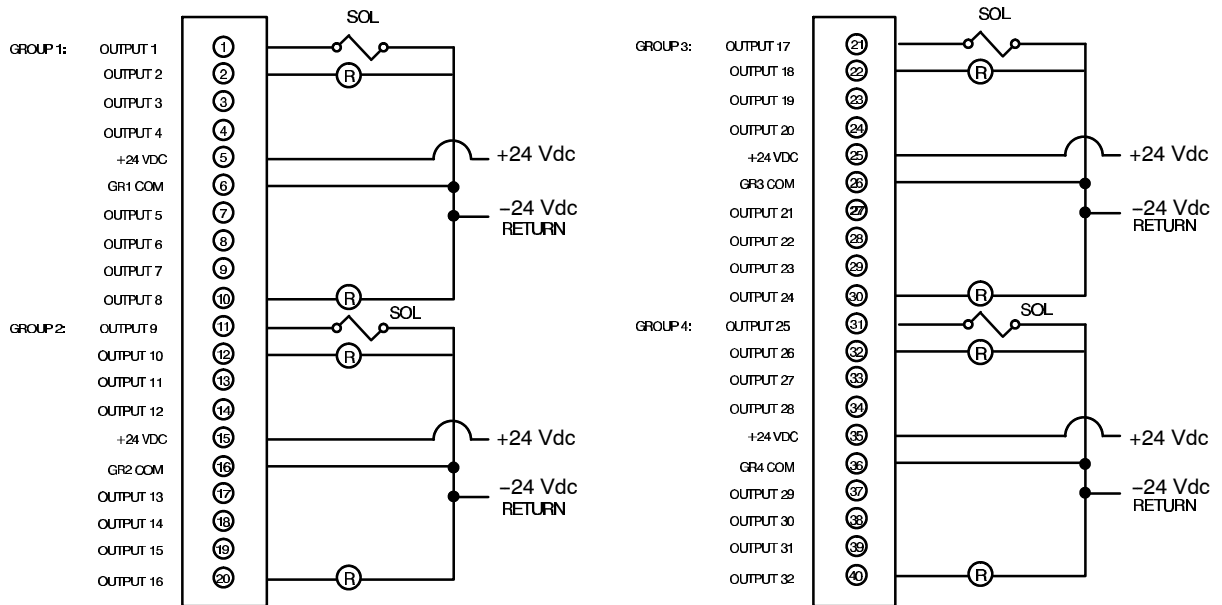


Figure 94 B882-032 Terminal Numbering and Output Connections

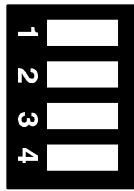
39.4 DIP Switch Settings

The four-position DIP switch is located on the rear of the module. This switch controls the functionality of the module (bi-directional or uni-directional).

Set switch SW3 for either (B882) bi-directional fault reporting, or (B818) uni-directional non-fault reporting. Refer to Figure 95 for switch settings. Also, refer to the label located on the left side of the module itself.

4-POSITION DIP- SWITCH

TOP OF MODULE



0	1
ON	OFF
DOWN	UP
LEFT	RIGHT

SWITCHES	FUNCTIONS
1 and 2	NOT USED, KEEP TO LEFT
3	MODULE FUNCTIONALITY FOR BI-DIRECTIONAL SW3 = R (B882) FOR UNI-DIRECTIONAL SW3 = L (B818)
4	NOT USED, KEEP TO LEFT

Figure 95 B882-032 DIP Switch Settings



Note: When you select the bi-directional module functionality (B882), you have 32 discrete outputs and 32 returned fault flags. When you select the uni-directional module functionality (B818), you have 32 discrete outputs.

39.5 Quick Start Test

This test configures the module as follows: **B882** (bi- -directional).

Step 1 Set the 4 position DIP- -Switch as follows: (viewing the rear of the module when held vertically)

SW1 and SW2	Left	Not Used (keep to left)
SW3	Right	Selects B882 (bi- -directional)
SW4	Left	Not Used (keep to left)

Step 2 Determine which channel and slot location are being used for this module.

Step 3 Wire terminals 5,15, 25, 35 to a +24 Vdc Supply, and wire terminals 6, 16, 26, 36 to a - -24 Vdc Supply on a AS- -8535- -000 high density connector.



Note: Remove the keying tabs on the AS- -8535- -000 high density connector prior to installing module.

Step 4 Stop the PLC.

Step 5 I/O Map the module as a B882, registers 30001/30002, 40001/40002 binary.

Step 6 Start the PLC.

Step 7 Write FFFF(hex) into registers 40001 and 40002.



Note: Ensure that no field devices are connected to these points.

Step 8 Active light should now be blinking.

Step 9 Look at registers 30001 and 30002 in binary format, all bits should be set to a one indicating a returned fault. The fault is present as a result of the open load condition of the outputs. The module is correctly monitoring its output points and is being read properly by the controller.

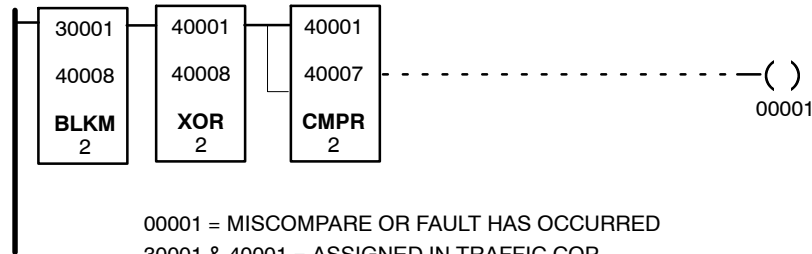


Note: Active blinking = One or more outputs have sensed a load fault. Active on steady = Points have the minimum load requirements.

39.5.1 Application Example

The B882 module, with ability to sense its own output points is an excellent choice for critical operations. The example in Figure 96 shows ladder logic that allows for detection of point errors. This could ultimately be used to control a system if a critical failure occurred.

The Block Move shown in Figure 96 moves the contents of registers 30001 and 30002 into 40008 and 40009 where they can be worked. The XOR Block Exclusively OR's the contents of 40001 and 40002 with 40008 and 40009 then places the results of this XOR in 40008 and 40009. This gives you a value that can be used in the Compare Block, that compares the contents of 40001 and 40002 to the values in 40008 and 40009, and when a mismatch occurs, coil 00001 turns on which can be tied to an indicator light, or safety circuitry for system protection.



00001 = MISCOMPARE OR FAULT HAS OCCURRED
 30001 & 40001 = ASSIGNED IN TRAFFIC COP
 40007 = POINTER FOR COMPARE BLOCK
 - THE POINTER CONTAINS THE LOCATION
 OF THE FIRST ERROR BIT SET IN THE
 FAULT REGISTER
 40008 & 40009 = EXCLUSIVE OR REGISTER VALUE

Figure 96 B882-032 Application Example

39.6 Specifications

B882-032 Specifications

Description		24 Vdc diagnostic output
Type of Operation		True high
Number of Points		32
Operating Voltage		19.2 ... 28 Vdc
Number of Groups		4
Outputs/group		8
On State Voltage Drop		0.5 Vdc maximum @ 1 A
Off State Leakage		1.0 mA maximum @ 28.0 Vdc
Minimum Load		100 mA
ON State Voltage Drop		0.5 Vdc maximum @ 1 A
OFF State Leakage		1.0 mA maximum @ 28.0 Vdc
Minimum Load		100 mA
Maximum Continuous Current	per output	1.0 A
	per group	6.0 A
	per module	24.0 A
Surge Current	peak	7.5 A for 0.5 ms
	maximum	10 pulses/s with 1.0 A dc
Load Inductance		1 H maximum with no external diode suppression
Load Capacitance		1000 μ f maximum
Flags (B882 Only)	Open Load	100 mA or less
	Over Current	3.5 A or greater
	Over Voltage	31 Vdc or greater
	Over Temperature	140°C or greater
Maximum Response Time	OFF \rightarrow ON	1 ms with a resistive load
	ON \rightarrow OFF	1 ms with a resistive load
Power Required	+5 V	300 mA*
	+4.3 V	10 mA
	-5 V	0 mA
External Power Supply		With nominal voltage of 24 Vdc required to power the field side of the B882**

* When all outputs are ON, +5 V = 300mA. When all outputs are OFF, +5 V = 200 mA.

** The external power supply must provide power to the field side loads and the field side electronics. The amperage sizing requirements of this supply have three components: 160 mA/group maximum (all channels ON), plus steady state load current of all outputs capable of being ON simultaneously, plus the inrush current of all outputs capable of being switched simultaneously.

Chapter 40

B882-116 24 Vdc Output

- Overview
- Field Connections
- Configuration
- Switch Settings
- Specifications

40.1 Overview

The B882-116 24 Vdc (16-point) Output Module monitors field points for both open and short circuit fault conditions. The module is designed for safety applications whereby it monitors essential field wiring.

Two test modes are available: pulse test mode, and no pulse test mode. In no pulse test mode, the module detects open circuits only when the output point is OFF, and short circuits only when the point is ON. Leakage current in the OFF state is less than 3 mA. Trip current to detect a short circuit is greater than 1 A. In pulse test mode, the module pulses the output to the opposite of the command state to determine the complete status of the output load. Pulse timing is: 500 μ s opposite state pulse once every second.



Note: Average currents in output circuits are changed by no more than 0.1% by full test mode.

40.1.1 Simplified Schematic

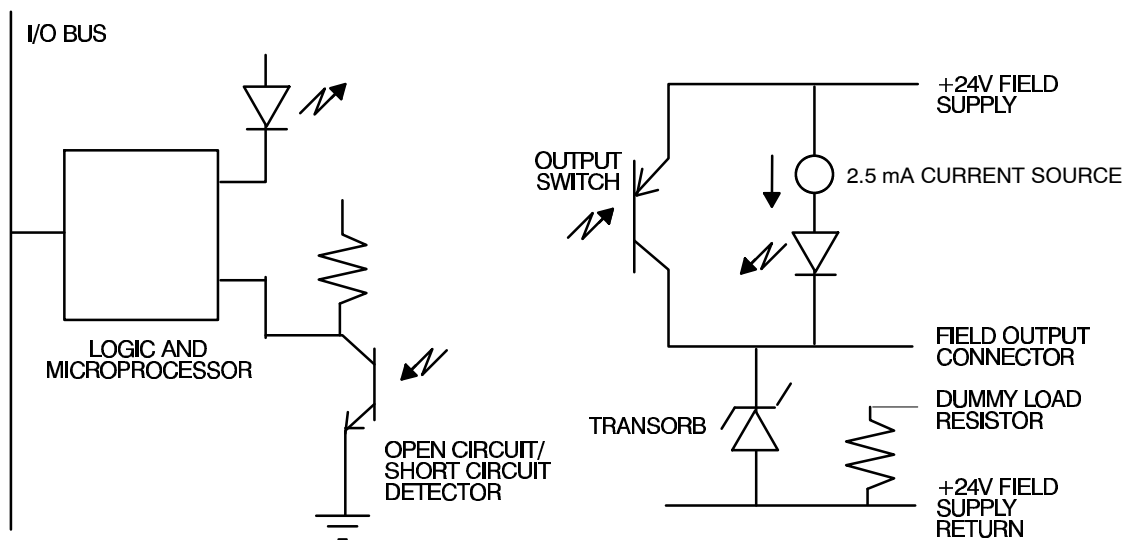


Figure 97 B882-116 Simplified Schematic

This leakage current is actually the 2.5 mA test current source. It cannot be turned OFF.

40.2 Field Connections

User connections are made to a standard screw terminal strip and the rigid wiring system permits module insertion or removal without disturbing the wiring.

40.2.1 Output Connections

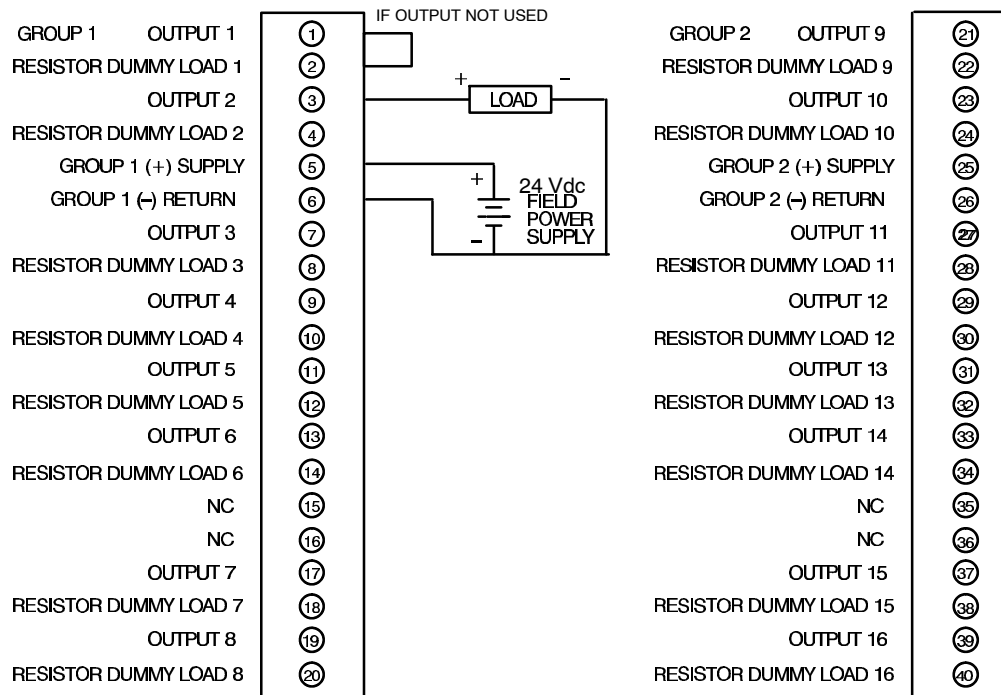


Figure 98 B882-116 Terminal Numbering and Output Connections



Note: Dummy load pin is only used to prevent an open circuit fault from being returned from an unused output.

40.3 Configuration

This module appears as a B882 module when configured—i.e., the module requires either four 16-bit words—two $3x$ input registers and two $4x$ holding registers or 32 discrete $0x$ outputs and 32 discrete $1x$ inputs.

The first holding register contains the command state programmed by the user. The input registers contains the faults detected. If an open circuit fault is detected on output point three, then a one is displayed in the $3x$ register at position three. If a short fault is detected on output point three, then a one is displayed in register $3x + 1$ at position three. A one indicates a detected fault, whereas, a zero indicates normal operation of that output point.

The module uses only three of the four configured 16-bit words. A point that is shorted disables the output current flow. Once a fault is detected the operation follows the flow chart in Figure 99 if the module is in the pulse test mode of operation. If not in pulse test mode then reported faults are cleared when a command changes it to the opposite state, in either case the detection of a short will force the point off.



Caution: The module will not work correctly with a J810 Remote I/O Processor.

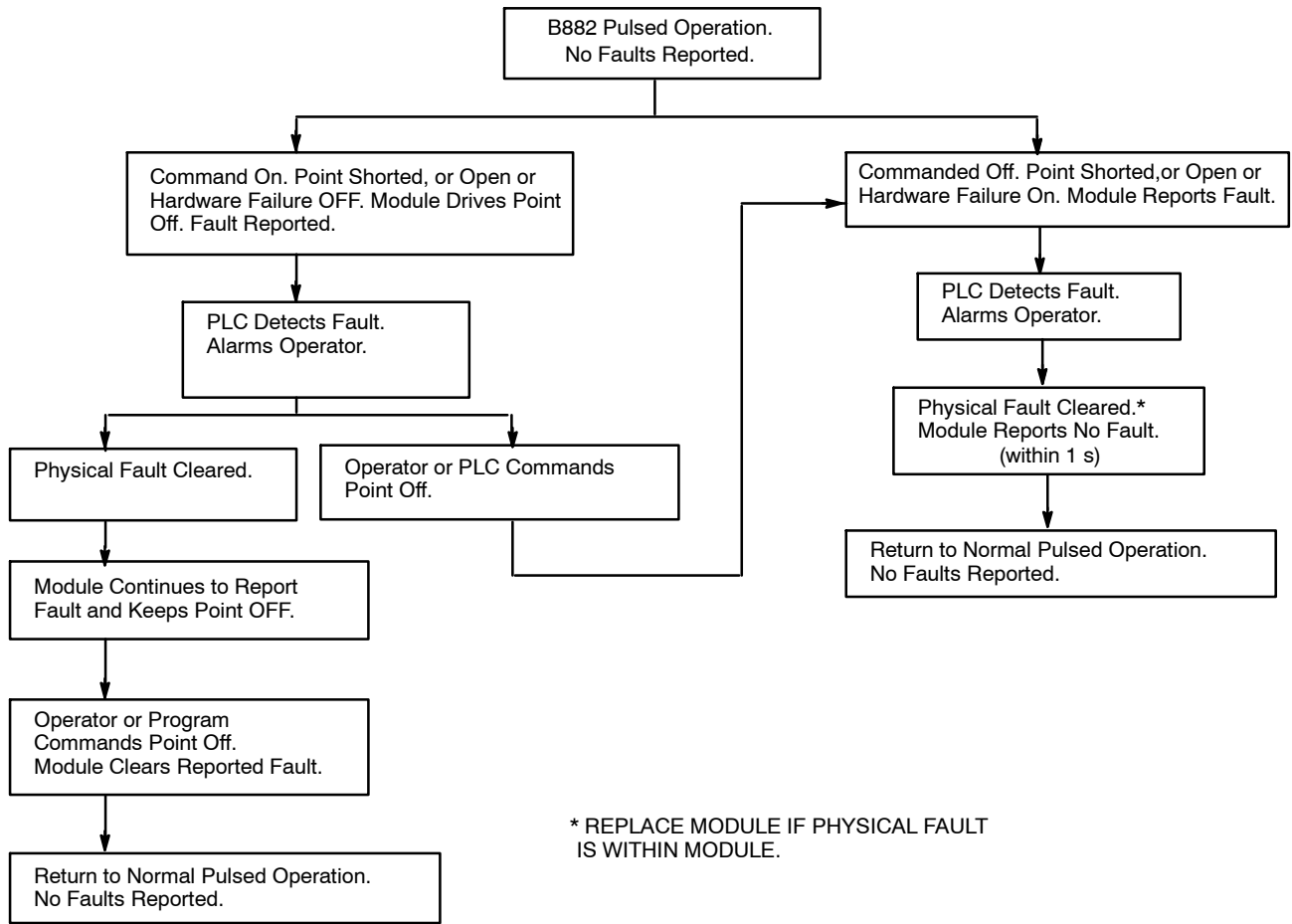


Figure 99 Full Fault Test Mode Only Flow Chart

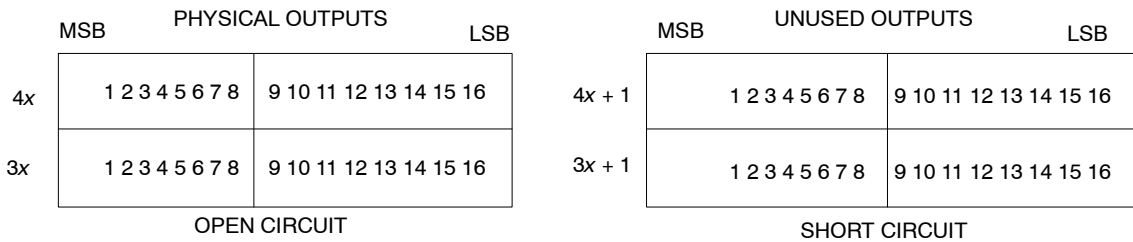


Figure 100 Data Registers

Module Mode Behavior

	Partial Test Mode	Full (PULSE) Test Mode
Use with high speed field devices	Yes	Not Recommended
Finds opens when OFF	Yes	Yes
Finds opens when ON	No	Yes
Reaction to OPEN fault*	No Change	Point OFF
To clear open fault, clear physical fault, then	See Note 1	Write 0
Finds shorts when OFF	No	Yes
Finds shorts when ON	Yes	Yes
Reaction to short fault*	Point OFF	Point OFF
To clear short fault, clear physical fault, then	See Note 2	Write 0

* In all cases faults are reported to the PLC via register entries for corresponding point and type of fault(s). In addition, the fault lamp for the corresponding group will blink until fault indication is cleared. Any points with detected short faults will be turned off independent of the command state from the PLC.

Note 1: In partial test mode an open fault indication will be cleared by writing a 1 to the output point independent of the actual status of the output wiring.

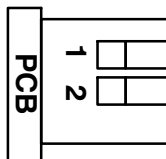
Note 2: In partial test mode a short fault indication will be cleared by writing a 0 to the output point independent of the actual status of the output wiring.

40.4 Switch Settings

A two-position DIP switch located on the rear of the module is used to select one of two test modes on a group basis. No pulse test mode detects open circuits only when the output is OFF, and shorts circuits only when the point is ON.

Pulse test mode pulses the output to the opposite of the command state to determine the status of the output load. Each individual switch relates to each group of eight output points. For example, DIP switch position #1 when set to ON enables pulse test fault sensing for group 1 (points 1 ... 8). When a fault is detected the corresponding FAULT LED flashes independent of the test mode. When the switch is in the OFF position then no pulse test is performed.

PULSE TEST SWITCH
2 POSITION DIP SWITCH
TOP OF MODULE



1	0
ON	OFF
LEFT	RIGHT
UP	DOWN

SWITCHES

SW1=0
=1

SW2=0
=1

FUNCTIONS

GROUP 1, PULSE TEST ENABLED
GROUP1, NO TEST

GROUP 2, PULSE TEST ENABLED
GROUP2, NO TEST

Figure 101 Pulse Test DIP-Switch Settings



Note: When using binary and BCD format, remember that output 16 is the LSB of word one and word two is ignored by the module.

40.5 Specifications

B882-116 24 Vdc Output Specifications

Description	24 Vdc output
Number of Points	16
Number of Groups	2
Outputs per Group	8
Working Voltage	19.2 ... 30.0 Vdc



Note: 24 V field supply must be rated to supply output load current +.5 A for the module, +5 A surge rating. This 5 A surge rating is required to correctly detect short circuits. Group input power fusing is recommended. Fuse should be rated for expected load current plus 5 A Slo- -Blow.



Caution: When field supply drops from 24 ... 0 V an output current of up to 15 mA may be generated to points that are off. Output fault flags reported when field supply is below 19.2 V may be incorrect.

On State Voltage Drop	0.5 Vdc maximum @ 0.5 A
Off State Leakage Current	3.0 mA maximum at 30.0 Vdc
	Maximum allowable load resistance 6 k Ω



Note: 3 mA x 6 k Ω = 18 V—i.e. leakage current produces enough voltage on a 6 k Ω load resistor to simulate a valid input signal.

Inrush Current		1.0 A peak for 0.1 ms at 4 pulses/s while carrying 0.5 A dc
Continuous Current	Maximum	0.5 A
	Maximum/group	4.0 A
	Maximum/mod- ule	8.0 A
Minimum Load Current		10 mA
Maximum Load Inductance		0.5 H @ 0.5 A, 4 Hz switching
Maximum Load Capacitance		4 μ F @ 4 Hz maximum switching frequency
Power Required	+5 V	350 mA maximum all outputs ON
	+4.3 V	10 mA
	-5 V	0 mA (not used)
Terminal Connector		AS-8535-000

Appendix A

I/O Key Pin Assignments

- Key Pin charts for all 800 Series I/O Modules

TOP OF HOUSING (CARD BASKET) KEYING (FRONT VIEW)

	AS-B802-008	AS-B803-008	AS-B804-016	AS-B805-016	AS-B806-032
	AS-B808-016	AS-B809-016	AS-B820-008	AS-B821-008 AS-B821-108	AS-B822-008*
	AS-B824-016	AS-B825-016	AS-B826-032	AS-B827-032	AS-B875-011 AS-B875-012
	AS-B840-008 AS-B840-108	AS-B841-008*	AS-B850-016*	AS-B842-008	AS-B852-016*
	AS-B855-016	AS-B810-008	AS-B828-016	AS-B873-011	AS-B833-016
	AS-B862-001	AS-B863-001	AS-B864-001	AS-B857-032*	AS-B851-016*
	AS-B865-001	AS-B868-001	AS-B869-001	AS-B872-002	AS-B873-001
	AS-B875-111	AS-B881-308	AS-B872-100	AS-B872-200	AS-B875-200
	AS-B819-232*	AS-B804-148	AS-B882-116		
		AS-B806-124			

BOTTOM OF HOUSING (CARD BASKET) KEYING (FRONT VIEW)

● Indicates keying pin locations.

* Indicates these modules may be obsolete or superseded, please contact your local distributor for more details.

Figure 102 Key Pin Assignments Chart

TOP OF HOUSING (CARD BASKET) KEYING (FRONT VIEW)

	AS-B807-032	AS-B814-001 AS-B814-108	AS-B814-002	AS-B816-016	AS-B817-116
	AS-B823-008*	AS-B846-002	AS-B836-016	AS-B837-016	AS-B849-016
	AS-B829-016 AS-B829-116	AS-B872-011	AS-B883-200	AS-B883-211	AS-B817-216
	AS-B853-016	AS-B883-001	AS-B886-001	AS-B884-001	AS-B883-201
	AS-B832-016	AS-B883-101 AS-B883-111	AS-B886-011	AS-B885-001 AS-B885-002	AS-B838-032
	AS-B846-001	AS-B881-001	AS-B882-239	AS-B984-100	AS-B885-100
	AS-B875-001 AS-B875-002	AS-B875-101 AS-B875-102	AS-B880-108	AS-B880-208	AS-B882-032
	AS-B863-032	AS-B881-508	AS-B881-408	AS-B863-132	AS-B875-114

- Indicates keying pin locations.
- * Indicates these modules may be obsoleted or superseded, please contact your local distributor for more details.

Figure 103 Key Pin Assignments Chart Cont.

Index

Numbers

- 16-point 115 Vac input modules, 800 Series I/O, B805-016, 29
- 16-point 115 Vac isolated input modules, 800 Series I/O, B817-116, 67
- 16-point 115 Vac output modules, 800 Series I/O, B804-116, 21
- 16-point 115 Vac/125 Vdc input modules, 800 Series I/O, B853-016, 145
- 16-point 230 Vac input modules, 800 Series I/O, B809-016, 53
- 16-point 230 Vac isolated input modules, 800 Series I/O, B817-216, 67
- 16-point 230 Vac output modules, 800 Series I/O, B808-016, 49
- 16-point 24 Vdc output modules, 800 Series I/O, B882-116, 221
- 16-point 48 V ac/dc input modules, 800 Series I/O, B849-016, 139
- 16-point 48 Vac output modules, 800 Series I/O, B804-148, 25
- 24 V ac/dc input modules, 800 Series I/O, B837-016, 123
- 32-point 115 Vac input modules, 800 Series I/O, B807-132, 43
- 32-point 115 Vac output modules, 800 Series I/O, B806-032, 33
- 32-point 24 Vac output modules, 800 Series I/O, B806-124, 39
- 32-point input modules (24 Vdc), 800 Series I/O, B863-132, 167
- 800 Series I/O
 - B802-008 Eight-point 115 Vac Output Module, 13
 - B803-008 Eight-point 115 Vac Input Module, 17
 - B804-116 16-point 115 Vac Output Module, 21
 - B804-148 16-point 48 Vac Output Module, 25
 - B805-016 16-point 115 Vac Input Module, 29
 - B806-032 32-point 115 Vac Output Module, 33
 - B806-124 32-point 24 Vac Output Module, 39
 - B807-132 32-point 115 Vac Input Module, 43
 - B808-016 16-point 230 Vac Output Module, 49
 - B809-016 16-point 230 Vac Input Module, 53
 - B810-008 Eight-point 115 Vac Isolated Output Module, 57
 - B814-108 Eight-relay Output Module, 61
 - B817-116 16-point 115 Vac Isolated Input Module, 67
 - B817-216 16-point 230 Vac Isolated Input Module, 67
 - B820-008 10 ... 60 Vdc True High Output Module, 73
 - B821-108 10 ... 60 Vdc True High Input Module, 77
 - B824-016 24 Vdc True High Output Module, 83
 - B825-016 24 Vdc True High Input Module, 87
 - B826-032 24 Vdc True High Output Module, 91
 - B827-032 24 Vdc True High Input Module, 97
 - B828-016 5 V TTL Output Module, 101
 - B829-116 5 V TTL Input Module, 105
 - B832-016 24 V True Low Output Module, 109
 - B833-016 24 V True Low Input Module, 113
 - B836-016 12 ... 250 Vdc Isolated Output Module, 117
 - B837-016 24 V ac/dc Input Module, 123
 - B838-032 True High 24 Vdc Output Module, 129

B840- -108 Eight- -relay Output Module, 133
 B849- -016 16- -point 48 V ac/dc Input Module, 139
 B853- -016 16- -point 115 Vac/125 Vdc Input Module, 145
 B855- -016 12 Vdc Intrinsically Safe True Low Input Module, 151
 B863- -032 Monitored 32- -point 24 Vdc Input Module, 159
 B863- -132 32- -point 24 Vdc Input Module, 167
 B864- -001 Register Output Module, 173
 B865- -001 Register Input Module, 181
 B881- -001 Latched 24 Vdc Input Module, 189
 B881- -108 Protected 120 Vac Output Module, 195
 B881- -508 Eight- -point 125 Vdc Output Module, 205
 B882- -032 Diagnostic 32- -point 24 Vdc Output Module, 211
 B882- -116 16- -point 24 Vdc Output Module, 221
 features, 2
 generic specifications, 11
 grounding guidelines, 5
 I/O map overview, 4
 indicator light overview, 3
 installation overview, 6
 quick start test, 10
 system interface, 3

A

application example

B863- -032 Monitored 32- -point 24 Vdc Input Module, 164
 B881- -108 Protected 120 Vac Output Module, 202
 B882- -032 Diagnostic 32- -point 24 Vdc Output Module, 218

B

B802- -008 Eight- -point 115 Vac Output Module, simplified schematic, 14

B802- -008 Eight- -point 155 Vac Output Module, field connections, 15
 B802- -008 Eight- -point Output Module, specifications, 16
 B803- -008 Eight- -point 115 Vac Input Module, simplified schematic, 18
 B803- -008 Eight- -point 155 Vac Input Module
 field connections, 19
 specifications, 20
 B804- -116 16- -point 115 Vac Output Module
 field connections, 23
 simplified schematic, 22
 specifications, 24
 B804- -148 16- -point 48 Vac Output Module
 field connections, 27
 simplified schematic, 26
 specifications, 28
 B805- -016 16- -point 115 Vac Input Module
 field connections, 31
 simplified schematic, 30
 specifications, 32
 B806- -032 32- -point 115 Vac Output Module
 field connections, 35
 fusing guidelines, 36
 simplified schematic, 34
 specifications, 37
 B806- -124 32- -point 24 Vac Output Module
 field connections, 41
 simplified schematic, 40
 specifications, 42
 B807- -132 32- -point 115 Vac Input Module
 field connections, 45
 input current- -to- -frequency relationship, 46
 simplified schematic, 44
 specifications, 47
 B808- -016 16- -point 230 Vac Output Module
 field connections, 51
 simplified schematic, 50
 specifications, 52
 B809- -016 16- -point 230 Vac Input Module
 field connections, 55
 simplified schematic, 54
 specifications, 56

- B810- -008 Eight- -point 115 Vac Isolated Output Module
 - field connections, 59
 - simplified schematic, 58
 - specifications, 60
- B814- -108 Eight- -relay Output Module
 - configuration, 63
 - field connections, 64
 - simplified schematic, 62
 - specifications, 65
- B814- -108, Relay Output, Specifications, 65
- B817- -116 16- -point 115 Vac Isolated Input Module
 - field connections, 69
 - simplified block diagram, 68
 - specifications, 71
- B817- -216 16- -point 230 Vac Isolated Input Module
 - field connections, 69
 - simplified block diagram, 68
 - specifications, 71
- B820- -008 10 ... 60 Vdc True High Output Module
 - field connections, 75
 - simplified schematic, 74
 - specifications, 76
- B821- -108 10 ... 60 Vdc True High Input Module
 - field connections, 79
 - simplified schematic, 78
 - specifications, 80
- B824- -016 24 Vdc True High Output Module
 - field connections, 85
 - simplified schematic, 84
 - specifications, 86
- B825- -016 24 Vdc True High Input Module
 - field connections, 89
 - simplified schematic, 88
 - specifications, 90
- B826- -032 24 Vdc True High Output Module
 - field connections, 94
 - simplified schematic, 92
 - specifications, 95
- B827- -032 24 Vdc True High Input Module
 - field connections, 99
 - simplified schematic, 98
- specifications, 100
- B828- -016 5 V TTL Output Module
 - field connections, 103
 - simplified schematic, 102
 - specifications, 104
- B829- -116 5 V TTL Input Module
 - field connections, 107
 - simplified schematic, 106
 - specifications, 108
- B832- -016 24 V True Low Output Module
 - field connections, 111
 - simplified schematic, 110
 - specifications, 112
- B833- -016 24 V True Low Input Module
 - field connections, 115
 - simplified schematic, 114
 - specifications, 116
- B836- -016 12 ... 250 Vdc Isolated Output Module
 - field connections, 120
 - simplified block diagram, 119
 - specifications, 122
- B837- -016 24 V ac/dc Input Module
 - field connections, 126
 - simplified block diagram, 124
 - specifications, 127
- B838- -032 True High 24 Vdc Output Module
 - field connections, 131
 - simplified schematic, 130
 - specifications, 132
- B840- -108 Eight- -relay Output Module
 - configuration, 136
 - field connections, 137
 - simplified schematic, 134
 - specifications, 138
- B849- -016 16- -point 48 V ac/dc Input Module
 - field connections, 142
 - simplified block diagram, 140
 - specifications, 143
- B853- -016 16- -point 115 Vac/125 Vdc Input Module
 - field connections, 148
 - simplified block diagram, 146
 - specifications, 149
- B855- -016 12 Vdc Intrinsically Safe True Low Input Module

- installation, 153
 - specifications, 158
- B863- -032 Monitored 32- -point 24 Vdc Input Module
 - application example, 164
 - field connections, 162
 - quick start test, 163
 - simplified schematic, 160
 - specifications, 166
- B863- -132 32- -point 24 Vdc Input Module
 - configuration, 171
 - field connections, 170
 - simplified schematic, 168
 - specifications, 172
 - switch settings, 169
- B864- -001 Register Output Module
 - field connections, 177
 - simplified block diagram, 175
 - specifications, 180
 - switch settings, 176
- B865- -001 Register Input Module
 - field connections, 185
 - simplified block diagram, 183
 - specifications, 187
 - switch settings, 184
- B881- -001 Latched 24 Vdc Input Module
 - field connections, 192
 - simplified block diagram, 190
 - specifications, 193
- B881- -108 Protected 120 Vac Output Module
 - application example, 202
 - fault condition filter, 199
 - field connections, 200
 - quick start test, 201
 - simplified schematic, 198
 - specifications, 203
- B881- -508 Eight- -point 125 Vdc Output Module
 - fault conditions, 208
 - field connections, 209
 - simplified schematic, 207
 - specifications, 210
- B882- -032 Diagnostic 32- -point 24 Vdc Output Module
 - application example, 218
 - fault conditions, 213

- field connections, 215
 - quick start test, 217
 - simplified schematic, 212
 - specifications, 219
 - switch settings, 216
- B882- -116 16- -point 24 Vdc Output Module
 - configuration, 224
 - field connections, 223
 - simplified schematic, 222
 - specifications, 228
 - switch settings, 227

C

- configuration
 - B814- -108 Eight- -relay Output Module, 63
 - B840- -108 Eight- -relay Output Module, 136
 - B863- -132 32- -point 24 Vdc Input Module, 171
 - B882- -116 16- -point 24 Vdc Output Module, 224

D

- diagnostic 24 Vdc output modules, 800 Series I/O, B882- -032, 211

E

- eight- -point 115 Vac input modules, 800 Series I/O, B803- -008, 17
- eight- -point 115 Vac isolated output modules, 800 Series I/O, B810- -008, 57
- eight- -point 115 Vac output modules, 800 Series I/O, B802- -008, 13
- eight- -point 125 Vdc output modules, 800 Series I/O, B881- -508, 205
- eight- -relay output modules, 800 Series I/O
 - B814- -108, 61
 - B840- -108, 133

F

- fault condition filter, B881- -108 Protected 120 Vac Output Module, 199
- fault conditions

B881- -508 Eight- -point 125 Vdc Output Module, 208
 B882- -032 Diagnostic 32- -point 24 Vdc Output Module, 213
 field connections
 B802- -008 Eight- -point 115 Vac Output Module, 15
 B803- -008 Eight- -point 115 Vac Input Module, 19
 B804- -116 16- -point 115 Vac Output Module, 23
 B804- -148 16- -point 48 Vac Output Module, 27
 B805- -016 16- -point 115 Vac Input Module, 31
 B806- -032 32- -point 115 Vac Output Module, 35
 B806- -124 32- -point 24 Vac Output Module, 41
 B807- -132 32- -point 115 Vac Input Module, 45
 B808- -016 16- -point 230 Vac Output Module, 51
 B809- -016 16- -point 230 Vac Input Module, 55
 B810- -008 Eight- -point 115 Vac Isolated Output Module, 59
 B814- -108 Eight- -relay Output Module, 64
 B817- -116 16- -point 115 Vac Isolated Input Module, 69
 B817- -216 16- -point 230 Vac Isolated Input Module, 69
 B820- -008 10 ... 60 Vdc True High Output Module, 75
 B821- -108 10 ... 60 Vdc True High Input Module, 79
 B824- -016 24 Vdc True High Output Module, 85
 B825- -016 24 Vdc True High Input Module, 89
 B826- -032 24 Vdc True High Output Module, 94
 B827- -032 24 Vdc True High Input Module, 99
 B828- -016 5 V TTL Output Module, 103
 B829- -116 5 V TTL Input Module, 107
 B832- -016 24 V True Low Output Module, 111
 B833- -016 24 V True Low Input Module, 115
 B836- -016 12 ... 250 Vdc Isolated Output Module, 120
 B837- -016 24 V ac/dc Input Module, 126
 B838- -032 True High 24 Vdc Output Module, 131
 B840- -108 Eight- -relay Output Module, 137
 B849- -016 16- -point 48 V ac/dc Input Module, 142
 B853- -016 16- -point 115 Vac/125 Vdc Input Module, 148
 B863- -032 Monitored 32- -point 24 Vdc Input Module, 162
 B863- -132 32- -point 24 Vdc Input Module, 170
 B864- -001 Register Output Module, 177
 B865- -001 Register Input Module, 185
 B881- -001 Latched 24 Vdc Input Module, 192
 B881- -108 Protected 120 Vac Output Module, 200
 B881- -508 Eight- -point 125 Vdc Output Module, 209
 B882- -032 Diagnostic 32- -point 24 Vdc Output Module, 215
 B882- -116 16- -point 24 Vdc Output Module, 223
 fusing guidelines, B806- -032 32- -point 115 Vac Output Module, 36

G

grounding guidelines, 800 Series I/O, 5

I

input current- -to- -frequency relationship, B807- -132 32- -point 115 Vac Input Module, 46
 installation, B855- -016 12 Vdc Intrinsically Safe True Low Input Module, 153

intrinsically safe true low input modules (12 Vdc), 800 Series I/O, B855- -016, 151
isolated output modules (12 ... 250 Vdc), 800 Series I/O, B836- -016, 117

L

latched input modules (24 Vdc), 800 Series I/O, B881- -001, 189

M

monitored 32- -point input modules (24 Vdc), 800 Series I/O, B863- -032, 159

P

protected output modules (120 Vac), 800 Series I/O, B881- -108, 195

Q

quick start test

B863- -032 Monitored 32- -point 24 Vdc Input Module, 163
B881- -108 Protected 120 Vac Output Module, 201
B882- -032 Diagnostic 32- -point 24 Vdc Output Module, 217

R

register input modules, 800 Series I/O, B865- -001, 181
register output modules, 800 Series I/O, B864- -001, 173

S

simplified block diagram

B817- -116 16- -point 115 Vac Isolated Input Module, 68
B817- -216 16- -point 230 Vac Isolated Input Module, 68
B836- -016 12 ... 250 Vdc Isolated Output Module, 119
B837- -016 24 V ac/dc Input Module, 124
B849- -016 16- -point 48 V ac/dc Input Module, 140
B853- -016 16- -point 115 Vac/125 Vdc Input Module, 146

B864- -001 Register Output Module, 175
B865- -001 Register Input Module, 183
B881- -001 Latched 24 Vdc Input Module, 190

simplified schematic

B802- -008 Eight- -point 115 Vac Output Module, 14
B803- -008 Eight- -point 115 Vac Input Module, 18
B804- -116 16- -point 115 Vac Output Module, 22
B804- -148 16- -point 48 Vac Output Module, 26
B805- -016 16- -point 115 Vac Input Module, 30
B806- -032 32- -point 115 Vac Output Module, 34
B806- -124 32- -point 24 Vac Output Module, 40
B807- -132 32- -point 115 Vac Input Module, 44
B808- -016 16- -point 230 Vac Output Module, 50
B809- -016 16- -point 230 Vac Input Module, 54
B810- -008 Eight- -point 115 Vac Isolated Output Module, 58
B814- -108 Eight- -relay Output Module, 62
B820- -008 10 ... 60 Vdc True High Output Module, 74
B821- -108 10 ... 60 Vdc True High Input Module, 78
B824- -016 24 Vdc True High Output Module, 84
B825- -016 24 Vdc True High Input Module, 88
B826- -032 24 Vdc True High Output Module, 92
B827- -032 24 Vdc True High Input Module, 98
B828- -016 5 V TTL Output Module, 102
B829- -116 5 V TTL Input Module, 106
B832- -016 24 V True Low Output Module, 110

B833--016 24 V True Low Input Module, 114
 B838--032 True High 24 Vdc Output Module, 130
 B840--108 Eight--relay Output Module, 134
 B863--032 Monitored 32--point 24 Vdc Input Module, 160
 B863--132 32--point 24 Vdc Input Module, 168
 B881--108 Protected 120 Vac Output Module, 198
 B881--508 Eight--point 125 Vdc Output Module, 207
 B882--032 Diagnostic 32--point 24 Vdc Output Module, 212
 B882--116 16--point 24 Vdc Output Module, 222
 specifications
 B802--008 Eight--point Output Module, 16
 B803--008 Eight--point 115 Vac Input Module, 20
 B804--116 16--point 115 Vac Output Module, 24
 B804--148 16--point 48 Vac Output Module, 28
 B805--016 16--point 115 Vac Input Module, 32
 B806--032 32--point 115 Vac Output Module, 37
 B806--124 32--point 24 Vac Output Module, 42
 B807--132 32--point 115 Vac Input Module, 47
 B808--016 16--point 230 Vac Output Module, 52
 B809--016 16--point 230 Vac Input Module, 56
 B810--008 Eight--point 115 Vac Isolated Output Module, 60
 B814--108 Eight--relay Output Module, 65
 B817--116 16--point 115 Vac Isolated Input Module, 71
 B817--216 16--point 230 Vac Isolated Input Module, 71
 B820--008 10 ... 60 Vdc True High Output Module, 76
 B821--108 10 ... 60 Vdc True High Input Module, 80
 B824--016 24 Vdc True High Output Module, 86
 B825--016 24 Vdc True High Input Module, 90
 B826--032 24 Vdc True High Output Module, 95
 B827--032 24 Vdc True High Input Module, 100
 B828--016 5 V TTL Output Module, 104
 B829--116 5 V TTL Input Module, 108
 B832--016 24 V True Low Output Module, 112
 B833--016 24 V True Low Input Module, 116
 B836--016 12 ... 250 Vdc Isolated Output Module, 122
 B837--016 24 V ac/dc Input Module, 127
 B838--032 True High 24 Vdc Output Module, 132
 B840--108 Eight--relay Output Module, 138
 B849--016 16--point 48 V ac/dc Input Module, 143
 B853--016 16--point 115 Vac/125 Vdc Input Module, 149
 B855--016 12 Vdc Intrinsically Safe True Low Input Module, 158
 B863--032 Monitored 32--point 24 Vdc Input Module, 166
 B863--132 32--point 24 Vdc Input Module, 172
 B864--001 Register Output Module, 180
 B865--001 Register Input Module, 187
 B881--001 Latched 24 Vdc Input Module, 193
 B881--108 Protected 120 Vac Output Module, 203
 B881--508 Eight--point 125 Vdc Output Module, 210

B882- -032 Diagnostic 32- -point 24 Vdc
Output Module, 219
B882- -116 16- -point 24 Vdc Output
Module, 228
switch settings
B863- -132 32- -point 24 Vdc Input
Module, 169
B864- -001 Register Output Module, 176
B865- -001 Register Input Module, 184
B882- -032 Diagnostic 32- -point 24 Vdc
Output Module, 216
B882- -116 16- -point 24 Vdc Output
Module, 227

T

true high input modules (10 ... 60 Vdc), 800
Series I/O, B821- -108, 77
true high input modules (24 Vdc), 800 Series
I/O

B825- -016, 87
B827- -032, 97
true high output modules (10 ... 60 Vdc), 800
Series I/O, B820- -008, 73
true high output modules (24 Vdc), 800
Series I/O
B824- -016, 83
B826- -032, 91
B838- -032, 129
true low input modules (24 V), 800 Series I/O,
B833- -016, 113
true low output modules (24 V), 800 Series
I/O, B832- -016, 109
TTL input modules (5 V), 800 Series I/O,
B829- -116, 105
TTL output modules (5 V), 800 Series I/O,
B828- -016, 101