

Product data sheet

Specifications



discrete input module Modicon Momentum - 32 Input 24 V DC

170ADI35000

Main

Range of product	Modicon Momentum automation platform
Product or component type	Discrete inputs base DC
Group of channels	2 groups of 16 inputs
Discrete input number	32 conforming to IEC 1131-2 Type 1
Discrete input voltage	24 V DC
Protective treatment	TC

Complementary

Discrete input logic	Positive
Input voltage limits	24 V
Voltage range	- 3...30 V
Voltage state 0 guaranteed	-3...5 V
Voltage state 1 guaranteed	11...30 V
Current state 0 guaranteed	≤ 1.2 mA
Current state 1 guaranteed	≥ 2.5 mA
Input resistance	4 kOhm
Response time	2.2 ms from state 0 to state 1 3.3 ms from state 1 to state 0
Isolation between channels and bus	500 V AC
Power dissipation	5.5 W typical 8.5 W maximum

Terminals description PLC n°1	(5)IN_DIS#5 (L+)PW_POS (12)IN_DIS#12 (9)IN_DIS#9 (14)IN_DIS#14 (7)IN_DIS#7 (4)IN_DIS#4 (6)IN_DIS#6 (10)IN_DIS#10 (2)IN_DIS#2 (8)IN_DIS#8 (M-)PW_NEG (16)IN_DIS#16 (13)IN_DIS#13 (15)IN_DIS#15 (11)IN_DIS#11 (1)IN_DIS#1 (3)IN_DIS#3
-------------------------------	--

Terminals description PLC n°2	TB_1 (13)IN_DIS#29 (4)IN_DIS#20 (1L+)PW_POS (11)IN_DIS#27 (8)IN_DIS#24 (6)IN_DIS#22 (16)IN_DIS#32 (1)IN_DIS#17 (2)IN_DIS#18 (2L+)PW_POS (10)IN_DIS#26 (5)IN_DIS#21 (9)IN_DIS#25 (3)IN_DIS#19 (12)IN_DIS#28 (14)IN_DIS#30 (7)IN_DIS#23 (15)IN_DIS#31
--------------------------------------	---

Marking	CE
Local signalling	32 LEDs for channel status
Current consumption	<= 250 mA at 24 V DC
Depth	47.5 mm
Height	141.5 mm
Width	125 mm
Net weight	0.2 kg

Environment

Product certifications	UL CSA
Resistance to electrostatic discharge	4 kV contact conforming to IEC 801-2 8 kV on air conforming to IEC 801-2
Resistance to electromagnetic fields	10 V/m 80...1000 MHz conforming to IEC 801-3
Ambient air temperature for operation	0...60 °C
Ambient air temperature for storage	-40...85 °C
Relative humidity	95 % without condensation
Operating altitude	<= 5000 m

Packing Units

Unit Type of Package 1	PCE
Number of Units in Package 1	1
Package 1 Height	5.5 cm
Package 1 Width	18.0 cm
Package 1 Length	26.0 cm
Package 1 Weight	382.0 g
Unit Type of Package 2	S03
Number of Units in Package 2	10
Package 2 Height	30 cm
Package 2 Width	30 cm
Package 2 Length	40 cm
Package 2 Weight	4.466 kg
Unit Type of Package 3	P06

Number of Units in Package 3	80
Package 3 Height	75.0 cm
Package 3 Width	40.0 cm
Package 3 Length	80.0 cm
Package 3 Weight	46 kg

Offer Sustainability

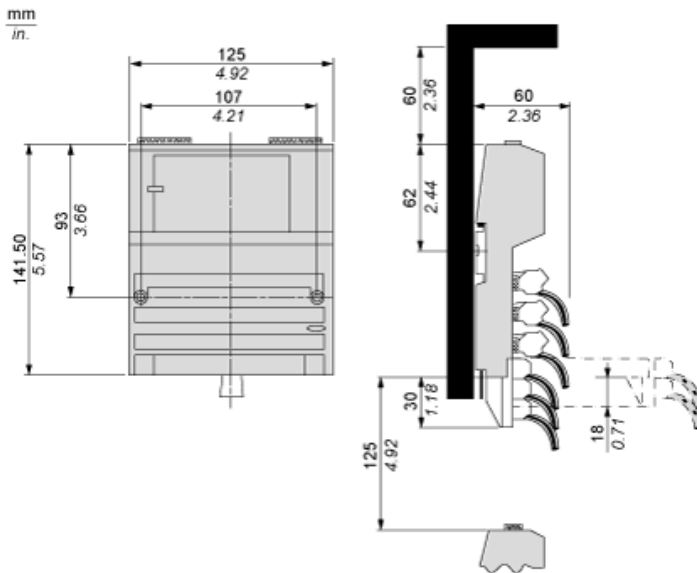
Sustainable offer status	Green Premium product
REACH Regulation	REACH Declaration
EU RoHS Directive	Pro-active compliance (Product out of EU RoHS legal scope) EU RoHS Declaration
Mercury free	Yes
China RoHS Regulation	China RoHS declaration
RoHS exemption information	Yes
Environmental Disclosure	Product Environmental Profile
Circularity Profile	End of Life Information
WEEE	The product must be disposed on European Union markets following specific waste collection and never end up in rubbish bins
California proposition 65	WARNING: This product can expose you to chemicals including: Lead and lead compounds, which is known to the State of California to cause cancer and birth defects or other reproductive harm. For more information go to www.P65Warnings.ca.gov

Contractual warranty

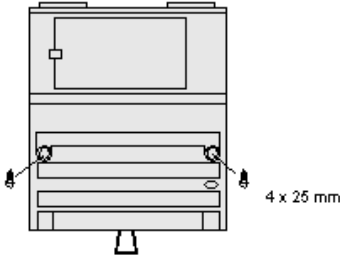
Warranty	18 months
-----------------	-----------

Standard Adapter on a Typical Base

Dimensions

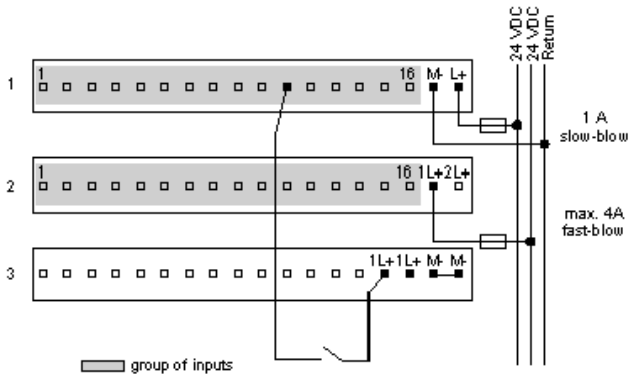


Mounting on a Wall

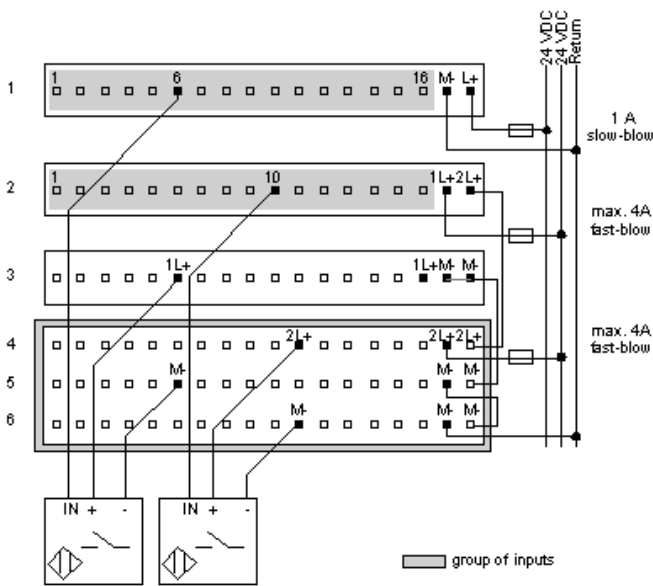


External Wiring Diagrams

2-Wire Device

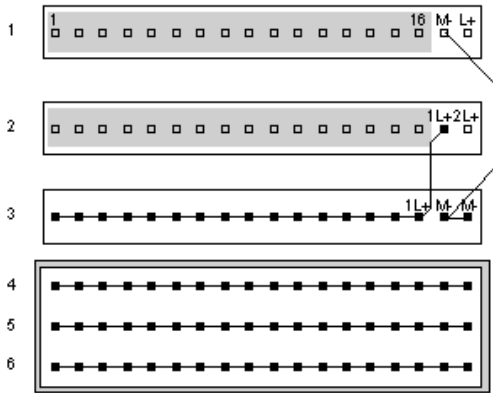


3-Wire Devices



Internal Pin Connections

Rows 1 through 3 show the internal connections between terminals on the I/O base. Rows 4 through 6 show the internal connections on the optional busbar.



Recommended replacement(s)