

# Product data sheet

Specifications



## discrete output module Modicon Premium - 16 O relay

TSXDSY16R5

! Discontinued on: 02 December 2020

! To be end-of-service on: 31 December 2026

! Discontinued - Service only

**Product availability : Stock - Normally stocked in distribution facility**

### Main

Range of Product	Modicon Premium Automation platform
Product or Component Type	Discrete output module
Discrete output number	16
Discrete output type	Relay not protected
Discrete output voltage	12...24 V DC EN/IEC 61131-2 10...34 V 24...240 V AC EN/IEC 61131-2 20...264 V

### Complementary

[I <sub>th</sub> ] conventional free air thermal current	3 A
Response time	< 10 ms (deactivation) < 8 ms (activation)
Contacts type and composition	1 NO
Output overvoltage protection	DC inductive, by discharge diode on each preactuator AC inductive, by RC circuit MOV (ZNO) on each preactuator
Output overload protection	1 external fuse per channel or group of channel fast blow
Short-circuit protection	1 external fuse per channel or group of channel fast blow
Isolation resistance	> 10 MOhm 500 V
Power dissipation	(0.25 W + 0.2 W x No of outputs at state 1)
Electrical durability	1000000 cycles DC-12 24 W 24 V resistive 1000000 cycles DC-3 24 W 24 V inductive 2000000 cycles DC-3 10 W 24 V inductive 300000 cycles DC-12 40 W 24 V resistive 100000 cycles AC-14 220 VA 220 V inductive 100000 cycles AC-15 220 VA 220 V inductive 1000000 cycles AC-12 110 VA 110 V resistive 1000000 cycles AC-12 220 VA 220 V resistive 1000000 cycles AC-12 50 VA 48 V resistive 1000000 cycles AC-14 110 VA 220 V inductive 1000000 cycles AC-15 110 VA 220 V inductive 150000 cycles AC-14 110 VA 110 V inductive 150000 cycles AC-15 110 VA 110 V inductive 1500000 cycles AC-14 50 VA 110 V inductive 1500000 cycles AC-15 50 VA 110 V inductive 2000000 cycles AC-14 24 VA 48 V inductive 2000000 cycles AC-15 24 VA 48 V inductive 3000000 cycles AC-14 50 VA 220 V inductive 3000000 cycles AC-15 50 VA 220 V inductive 500000 cycles AC-12 110 VA 48 V resistive 500000 cycles AC-12 220 VA 110 V resistive 500000 cycles AC-14 24 VA 24 V inductive 500000 cycles AC-15 24 VA 24 V inductive 5000000 cycles AC-14 10 VA 110 V inductive

5000000 cycles AC-14 10 VA 220 V inductive  
 5000000 cycles AC-14 10 VA 48 V inductive  
 5000000 cycles AC-15 10 VA 110 V inductive  
 5000000 cycles AC-15 10 VA 220 V inductive  
 5000000 cycles AC-15 10 VA 48 V inductive  
 700000 cycles AC-12 50 VA 24 V resistive

<b>Marking</b>	CE
<b>Electrical connection</b>	Screw terminal block
<b>Current consumption</b>	135 mA 24 V DC rack 80 mA 5 V DC
<b>Module format</b>	Standard
<b>Net Weight</b>	0.84 lb(US) (0.38 kg)

## Environment

<b>Dielectric strength</b>	2000 V 50/60 Hz 60 s
<b>Standards</b>	73/23/EEC IEC 61131-2 UL 508 CSA C22.2 No 213 Class I Division 2 Group B 92/31/EEC 89/336/EEC CSA C22.2 No 213 Class I Division 2 Group C CSA C22.2 No 213 Class I Division 2 Group A CSA C22.2 No 142 CSA C22.2 No 213 Class I Division 2 Group D 93/68/EEC
<b>Product Certifications</b>	BV RINA LR ABS RMRS GL DNV
<b>Ambient Air Temperature for Operation</b>	32...140 °F (0...60 °C)
<b>Ambient Air Temperature for Storage</b>	-13...158 °F (-25...70 °C)
<b>Relative Humidity</b>	10...95 % without condensation for operation 5...95 % without condensation for storage
<b>Operating altitude</b>	0...6561.68 ft (0...2000 m)
<b>Protective treatment</b>	TC
<b>IP Degree of Protection</b>	IP20
<b>Pollution degree</b>	2

## Ordering and shipping details

<b>Category</b>	22558 - TSX PREMIUM, ATRIUM & PL7 PRO
<b>Discount Schedule</b>	PC22
<b>GTIN</b>	3389110725834
<b>Returnability</b>	No
<b>Country of origin</b>	FR

## Packing Units

<b>Unit Type of Package 1</b>	PCE
<b>Number of Units in Package 1</b>	1
<b>Package 1 Height</b>	2.17 in (5.5 cm)
<b>Package 1 Width</b>	7.09 in (18.0 cm)
<b>Package 1 Length</b>	10.24 in (26.0 cm)

---

<b>Package 1 Weight</b>	17.00 oz (482.0 g)
<b>Unit Type of Package 2</b>	S03
<b>Number of Units in Package 2</b>	8
<b>Package 2 Height</b>	11.81 in (30.0 cm)
<b>Package 2 Width</b>	11.81 in (30.0 cm)
<b>Package 2 Length</b>	15.75 in (40.0 cm)
<b>Package 2 Weight</b>	9.64 lb(US) (4.371 kg)

---

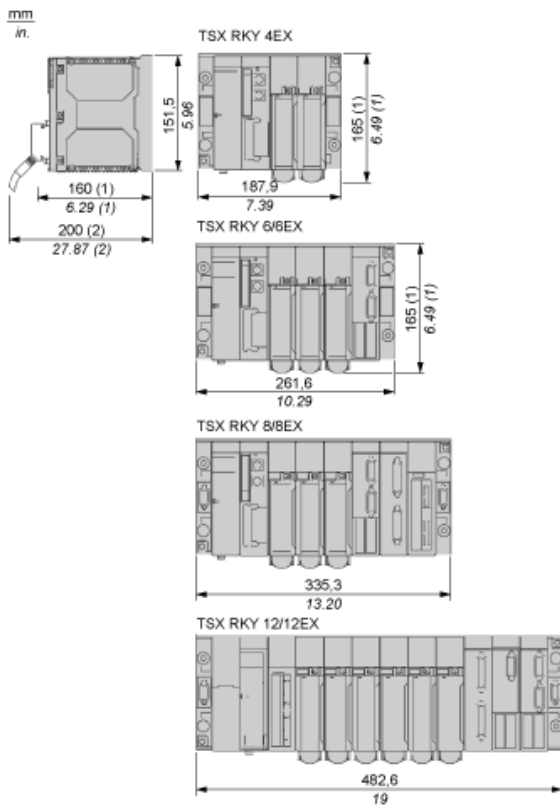
### **Contractual warranty**

---

<b>Warranty</b>	18 months
-----------------	-----------

**Standard and Extendable Racks for Modules Mounting**

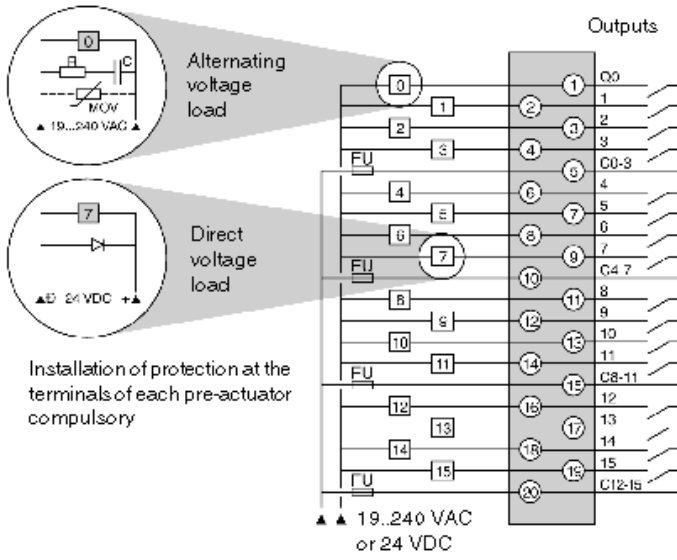
**Dimensions of Modules and Racks**



- (1) With screw terminal block modules.
- (2) Maximum depth for all types of modules and their associated connectors.

**Discrete Relay Output 16-Channel Module for 3 A Thermal Current**

**Wiring Diagram**



**Precaution**

NOTE: In the event of pre-actuator supply voltage being obtained from a tri-phase network which is equal to or greater than 200 Vac, the pre-actuators must be supplied from the same phase.

**Recommended replacement(s)**