

Product data sheet

Specifications



Discrete output module, Modicon X80, 8 NO relay outputs, 24 to 240V AC / 24V DC

BMXDRA0805

! Discontinued

! Discontinued on: Jul 1, 2022

! To be end-of-service on: Jun 30, 2030

Main

Range Of Product	Modicon X80
Product Or Component Type	Discrete output module
Discrete Output Number	8 EN/IEC 61131-2
Discrete Output Type	Relay
Discrete Output Voltage	24...240 V 19...264 V AC 12...24 V 10...34 V DC

Complementary

[Ith] Conventional Free Air Thermal Current	3 A
Insulation Resistance	> 10 MOhm 500 V DC
Power Dissipation In W	2.7 W
Response Time On Output	< 10 ms activation < 8 ms deactivation
Typical Current Consumption	79 mA 3.3 V DC
Mtbf Reliability	2119902 H
Output Overload Protection	Use 1 fast blow fuse per channel or group of channel
Output Overvoltage Protection	Use discharge diode on each output DC Use RC circuit on each output AC Use ZNO surge limiter on each output AC
Output Short-Circuit Protection	Use 1 fast blow fuse per channel or group of channel
Minimum Switching Current	10 mA 5 V DC

Price is "List Price" and may be subject to a trade discount – check with your local distributor or retailer for actual price.

Electrical Durability	AC-15 100000 cycles 220 VA 200...240 V 0.35) AC-12 1000000 cycles 110 VA 110...120 V AC-12 1000000 cycles 220 VA 200...240 V AC-12 1000000 cycles 50 VA 48 V AC-15 1000000 cycles 110 VA 200...240 V 0.35) DC-12 1000000 cycles 24 W 24 V DC-13 1000000 cycles 24 W 24 V AC-15 10000000 cycles 10 VA 110...120 V 0.35) AC-15 10000000 cycles 10 VA 200...240 V 0.35) AC-15 1500000 cycles 110 VA 110...120 V 0.35) AC-15 1500000 cycles 50 VA 110...120 V 0.35) AC-15 2000000 cycles 24 VA 48 V 0.35) DC-13 2000000 cycles 10 W 24 V DC-12 3000000 cycles 40 W 24 V AC-15 3000000 cycles 50 VA 200...240 V 0.35) AC-12 5000000 cycles 110 VA 48 V AC-12 5000000 cycles 220 VA 110...120 V AC-15 5000000 cycles 10 VA 48 V 0.35) AC-15 5000000 cycles 24 VA 24 V 0.35) AC-12 7000000 cycles 50 VA 24 V
------------------------------	--

Status Led	1 LED (Green) module operating (RUN) 1 LED per channel (Green) channel diagnostic 1 LED (Red) module error (ERR) 1 LED (Red) module I/O
-------------------	--

Net Weight	0.32 lb(US) (0.145 kg)
-------------------	------------------------

Environment

Ip Degree Of Protection	IP20
--------------------------------	------

Directives	2014/35/EU - low voltage directive 2014/30/EU - electromagnetic compatibility
-------------------	--

Environmental Characteristic	Corrosion resistance Dust resistant
-------------------------------------	--

Dielectric Strength	2000 V AC 50/60 Hz 1 min
----------------------------	--------------------------

Vibration Resistance	3 gn
-----------------------------	------

Shock Resistance	30 gn
-------------------------	-------

Ambient Air Temperature For Storage	-40...185 °F (-40...85 °C)
--	----------------------------

Ambient Air Temperature For Operation	32...140 °F (0...60 °C)
--	-------------------------

Relative Humidity	5...95 % 131 °F (55 °C) without condensation
--------------------------	--

Operating Altitude	0...6561.68 ft (0...2000 m) 2000...5000 m with derating factor
---------------------------	---

Ordering and shipping details

Category	18160-MODICON M340
-----------------	--------------------

Discount Schedule	PC34
--------------------------	------

Gtin	3595863910650
-------------	---------------

Returnability	No
----------------------	----

Country Of Origin	FR
--------------------------	----

Packing Units

Unit Type Of Package 1	PCE
-------------------------------	-----

Number Of Units In Package 1	1
-------------------------------------	---

Package 1 Height	2.17 in (5.5 cm)
-------------------------	------------------

Package 1 Width	4.33 in (11.0 cm)
------------------------	-------------------

Package 1 Length	4.72 in (12.0 cm)
-------------------------	-------------------

Package 1 Weight	6.24 oz (177.0 g)
Unit Type Of Package 2	S02
Number Of Units In Package 2	15
Package 2 Height	5.91 in (15.0 cm)
Package 2 Width	11.81 in (30.0 cm)
Package 2 Length	15.75 in (40.0 cm)
Package 2 Weight	6.42 lb(US) (2.911 kg)

Contractual warranty

Warranty	18 months
-----------------	-----------

Sustainability

Green Premium™ label is Schneider Electric's commitment to delivering products with best-in-class environmental performance. Green Premium promises compliance with the latest regulations, transparency on environmental impacts, as well as circular and low-CO₂ products.

Guide to assessing product sustainability is a white paper that clarifies global eco-label standards and how to interpret environmental declarations.

[Learn more about Green Premium >](#)

[Guide to assess a product's sustainability >](#)

Well-being performance

✓ Reach Free Of Svhc

✓ Mercury Free

✓ Rohs Exemption Information [Yes](#)

Eu Rohs Directive [Pro-active compliance \(Product out of EU RoHS legal scope\)](#)
[EU RoHS Declaration](#)

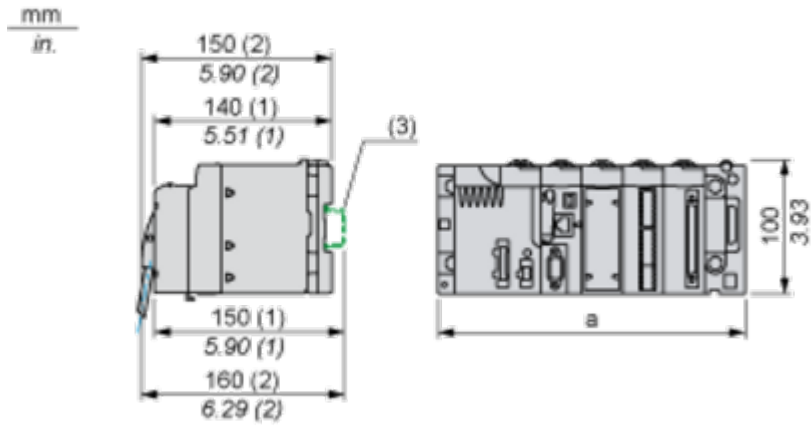
China Rohs Regulation [China RoHS declaration](#)

Weee The product must be disposed on European Union markets following specific waste collection and never end up in rubbish bins.

California Proposition 65 **WARNING:** This product can expose you to chemicals including: Lead and lead compounds, which is known to the State of California to cause cancer and birth defects or other reproductive harm. For more information go to www.P65Warnings.ca.gov

Modules Mounted on Racks

Dimensions



(1) With removable terminal block (cage, screw or spring).

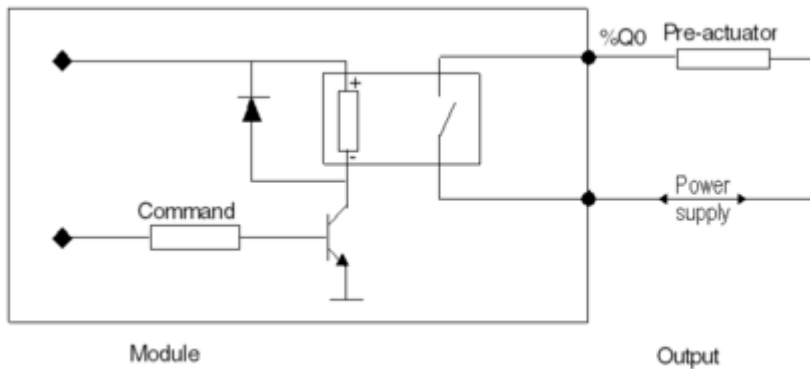
(2) With FCN connector.

(3) On AM1 ED rail: 35 mm wide, 15 mm deep. Only possible with BMXXBP0400/0400H/0600/0600H/0800/0800H rack.

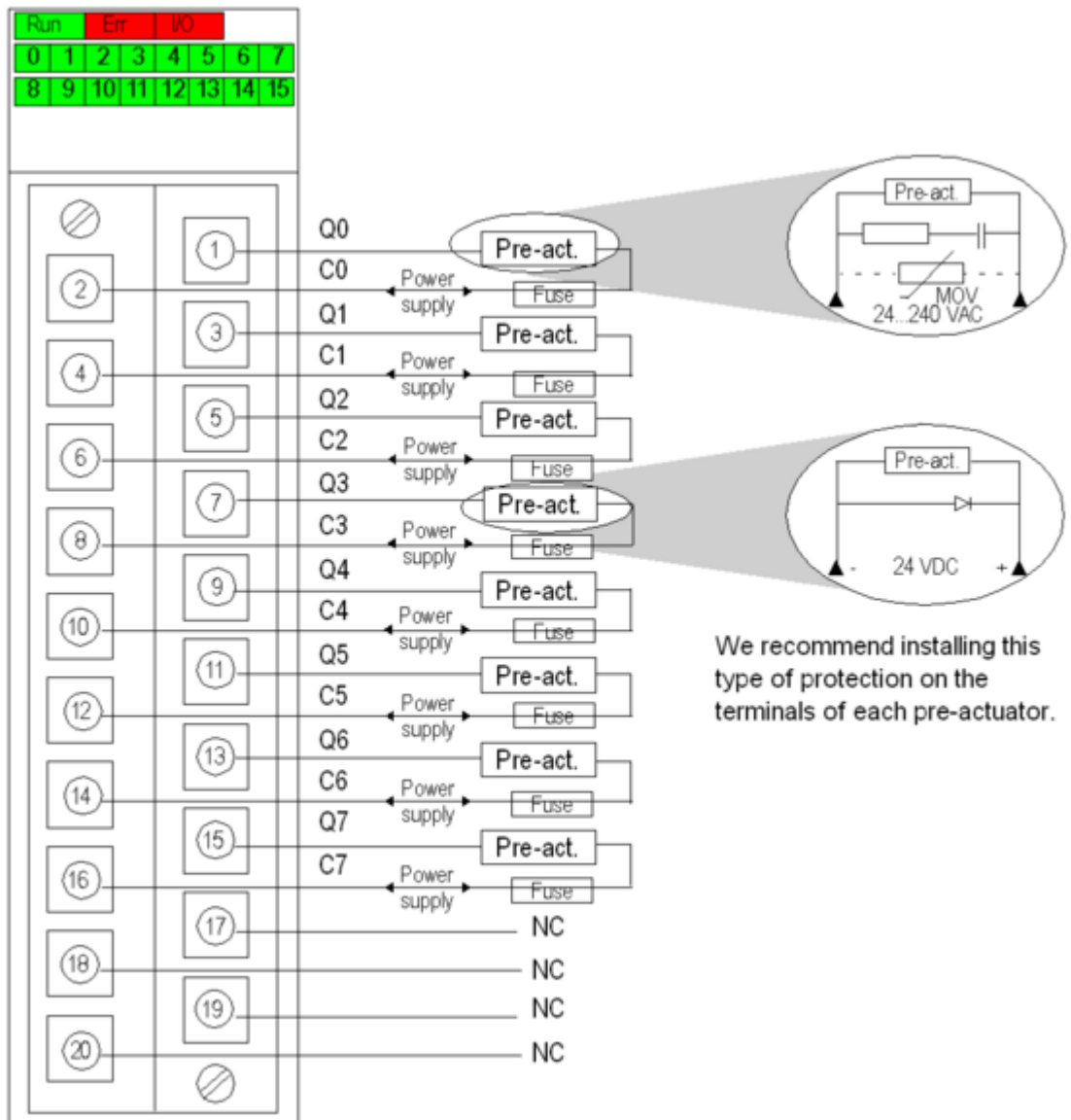
Rack references	a in mm	a in in.
BMXXBP0400 and BMXXBP0400H	242.4	09.54
BMXXBP0600 and BMXXBP0600H	307.6	12.11
BMXXBP0800 and BMXXBP0800H	372.8	14.68
BMXXBP1200 and BMXXBP1200H	503.2	19.81

Connecting the Module

Output Circuit Diagram



Module Connection



power supply 24 VDC or 24...240 VAC
fuse 1 fast blow fuse of 3 A for each relay
NC not connected